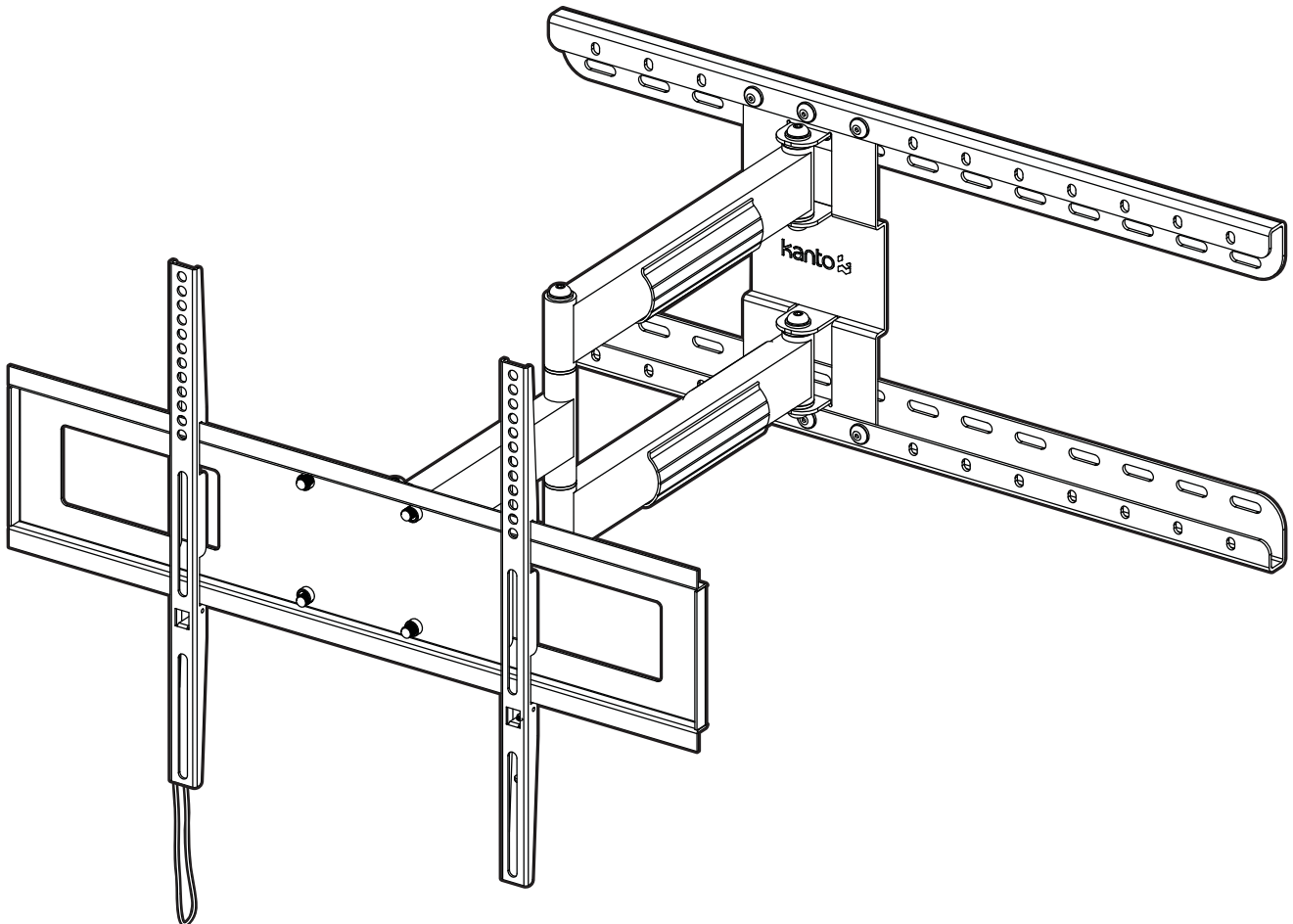


English



User Manual
FMC4 TV Mount



FULL MOTION FLAT PANEL TV MOUNT

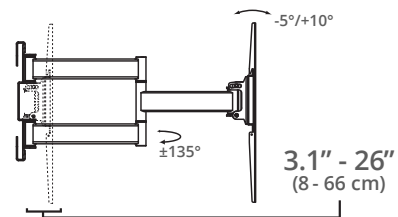
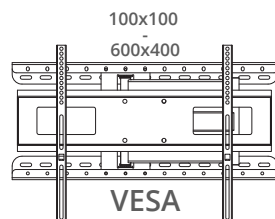
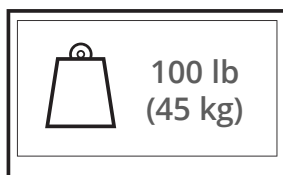


Table of Contents

Table of Contents / Introduction	2	Setup - Steps 3 to 4	6
Supplied Parts & Hardware	3	Setup - Steps 5 to 6	7
Setup - Step 1	4	Other Kanto Products	8
Setup - Step 2	5	Warranty	8

Introduction


Thank you for choosing a Kanto FMC4 full motion TV wall mount with adjustable pivot point. The FMC4 is designed to mount flat panel televisions weighing up to 100 lbs (45 kg), extend up to 26" from your wall, move your pivot point from side to side up to 20", pan left and right up to 135° (depending on TV size), and tilt your TV +10° / -5°.


Read these instructions fully before installation of this mount. If you do not understand these directions, or have any doubts about the safety of the installation, please consult a qualified installation contractor to install this mount. Make sure there are no defective or missing parts. Do not use defective parts. If you are uncertain whether the part is defective call Kanto Living directly at 1-888-848-2643 or support@kantoliving.com.


This product should not be mounted on steel stud walls or cinder block walls. Kanto cannot be liable for property damage or injury caused by incorrect mounting, incorrect assembly, lifting or incorrect use of this product.



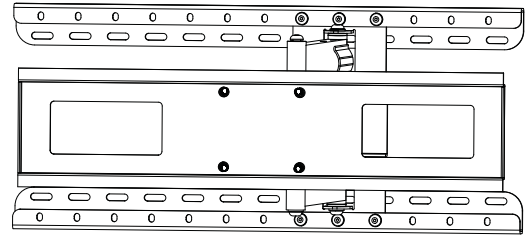
**See installation video online at:
Regarder la video d'installation en ligne à:
Vea el vídeo de instalación online en:
www.kantomounts.com**

 Visit our website at kantoliving.com for the most recent version of this manual

 **CAUTION**
The maximum loading weight is 100 lbs (45 kg). This wall mount is intended for use only with the maximum weights indicated. Use with products heavier than the maximum weights indicated may result in instability causing possible injury.

 **CAUTION**
The wall you plan to affix the Kanto mount to must be able to support more than 5 times the weight of the television and the wall mount combined. Do not use this product for any purpose other than to mount a flat panel TV on a vertical surface as outlined in this manual. Improper installation may cause damage to your TV or serious injury. This product should not be mounted to steel stud walls, cinder block or old concrete walls. Consult a qualified installation contractor if you are unsure about the type of wall you may have.

Supplied Parts and Hardware



Wall Plate



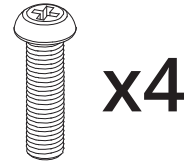
A: M5 x 15mm Screw



B: M5 x 25mm Screw



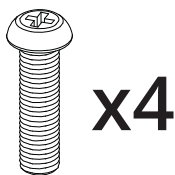
C: M6 x 15mm Screw



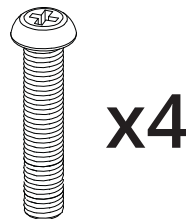
D: M6 x 25mm Screw



E: M8 x 15mm Screw



F: M8 x 25mm Screw



G: M8 x 35mm Screw



H: Washer



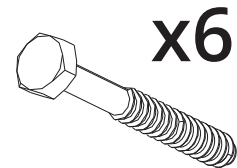
I: Lag Bolt Washer



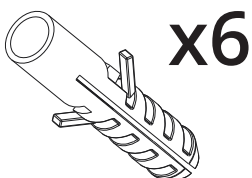
J: 5mm Spacer



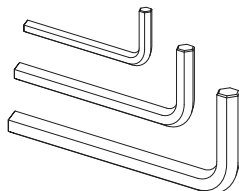
K: 10 mm Spacer



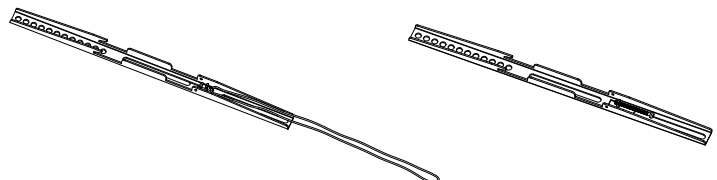
L: Lag Bolt



M: Concrete Anchor



N: 4mm Allen Key
O: 5mm Allen Key
P: 6mm Allen Key



Q: Quick-Lock Bracket Arm

R: Locking Bracket Arm

Required Tools



Socket Set



Phillips Screwdriver



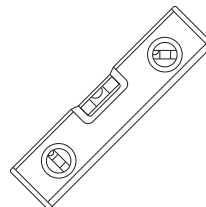
Hammer (for Concrete installs)



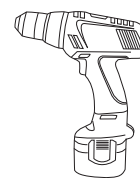
Pencil



Stud Finder



Level



Drill



7/16" Masonry Bit



3/16" Wood Bit

Step 1: Attach TV Brackets

There are a wide variety of TVs available that require different bolt sizes. We provide a selection of mounting bolts to fit most TVs. If you have any concerns about this mounting hardware or installation call us direct at 1-888-848-2643 or email at support@kantoliving.com.

Step 1.1 Determine the correct size of bolt.

Kanto provides 3 bolt diameters (Metric sizes M5, M6 and M8) in various lengths.

Part items: **A, B, C, D, E, F** or **G**

Select the correct diameter bolt and hand tighten into the back of the TV to determine the correct length. If your TV has a curved back or the mounting holes are recessed, you can use spacer (**K**) to ensure a proper fit. You can use spacers inside or outside the bracket arm, as shown in Diagram A.

Step 1.2 Attach TV Bracket Arms to the back of the TV

Now that you have selected the correct bolt length, attach the Bracket Arms to the TV. Use the Quick-Lock TV Bracket Arm on the side of the TV that will be less accessible when mounted.

Use the washers (**H**) for bolts **A-D** (sizes M5 and M6). The washer will work for both bolt sizes.

The washer is not required for M8 size bolts (**E, F & G**).

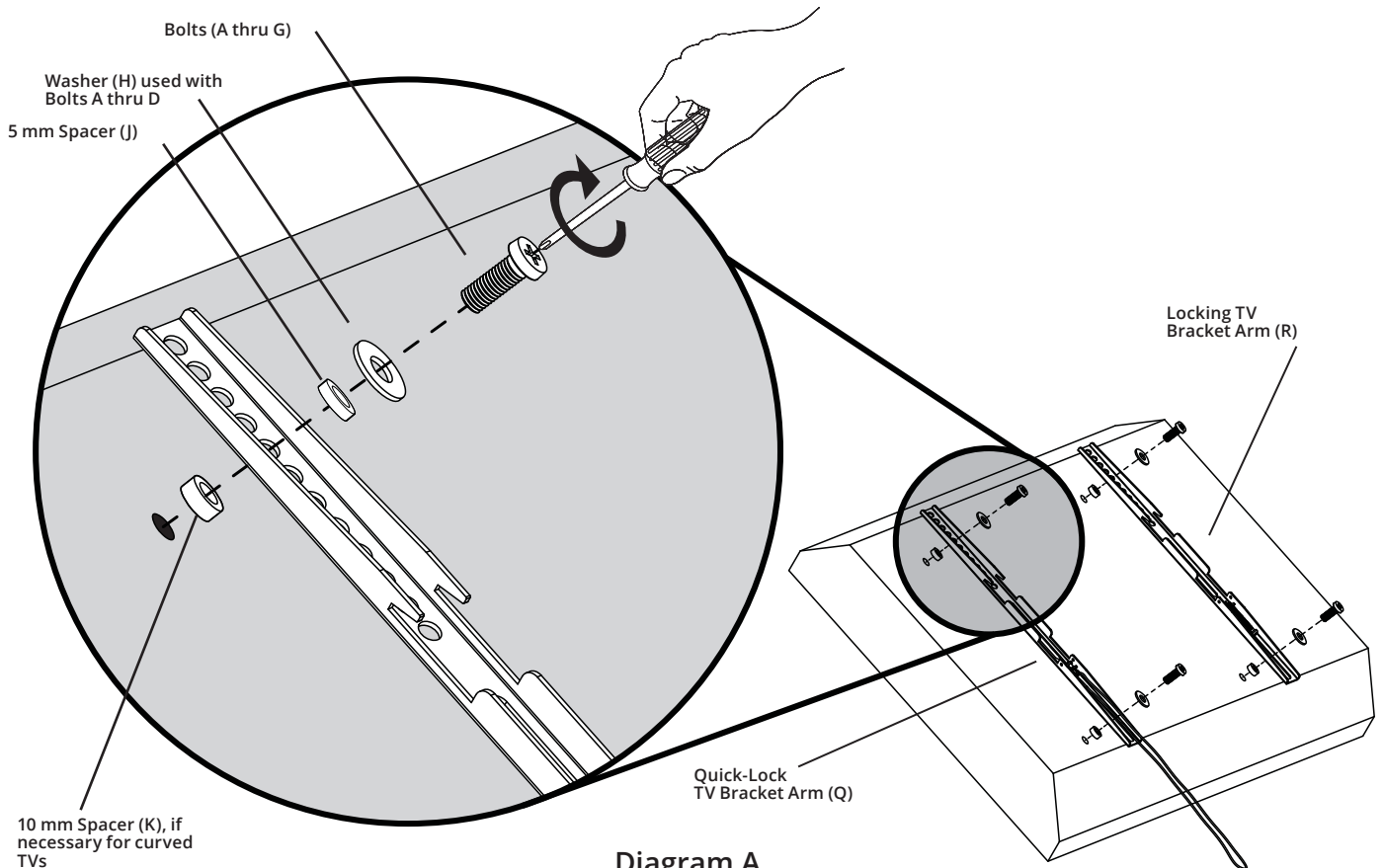
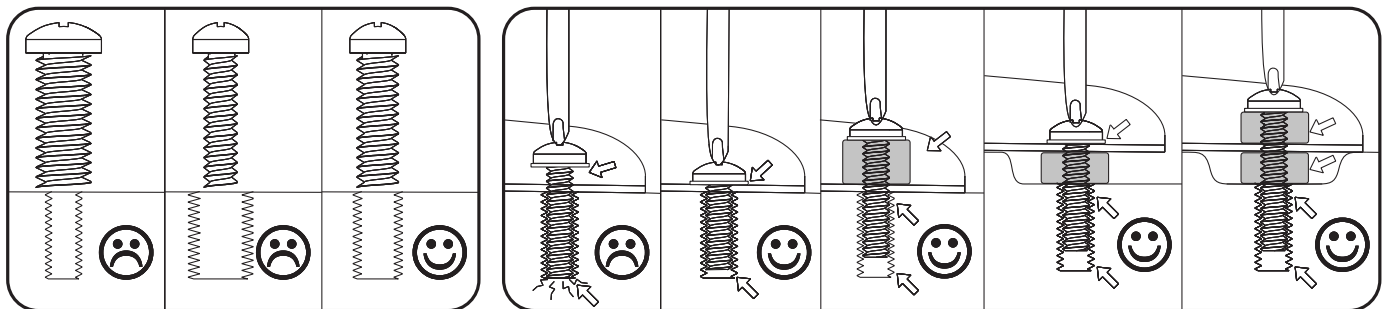


Diagram A



WARNING

Never over-tighten a bolt into the back of your flat panel TV. Do not lay the TV face down on its glass front. Use a TV stand or lean against a wall.

Step 2: Mount Wall Plate

Before you start drilling, attach the Wall Plate Template to your wall. It will make marking and drilling level pilot holes easier and catch a lot of the dust. Remember to remove it before you attach the wall plate!

Wood Stud Wall

The Wall Plate must be mounted to two wood studs. Use a stud sensor to locate the two studs, clearly marking the centers of the studs. Use a long level to make sure these marks are horizontally level. Attach the Wall Plate Template to the wall at the desired height so that the stud center marks are visible through the mounting slots and drill four pilot holes. Once you have drilled the pilot holes, remove the Wall Plate Template.

Attach the Wall Plate to the wall using 4 Lag Bolts (L) and Lag Bolt Washers (I) (see Diagram B). Do not over-tighten Lag Bolts (L). Make sure the Wall Plate is flat against the wall surface. The Wall Plate is two pieces, so to ensure you can move the pivot point, it is important to use a level to ensure that the bottom Wall Plate is parallel to the top.

Wood

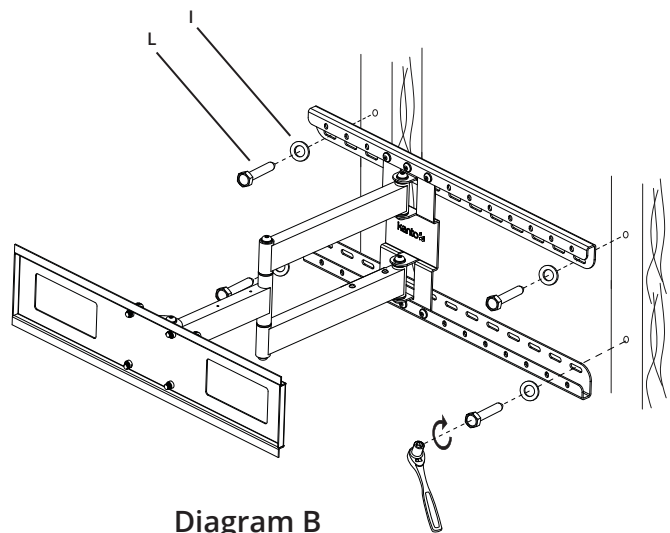
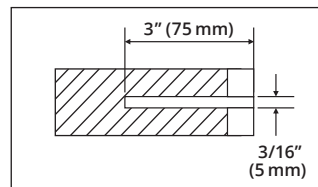


Diagram B



CAUTION

Make sure the supporting surface will support the load limits outlined in the Caution at bottom of page two. Tighten Lag Bolts until the Wall Plate is snug flat against the wall. Do not over tighten Lag Bolts (L). Each Lag Bolt must be located in the center of a wood stud.

Brick or Concrete Wall

Attach the Wall Plate Template to the wall at the desired height. Adjust the desired Template holes to be clear of mortar joints. Since the Wall Plate is two pieces, it is important to check that the bottom Wall Plate is parallel to the top using a long level. This ensures that you can move the pivot point. Mark and drill the six holes perpendicular to the wall using a masonry bit (see Diagram C). Do not drill into mortar joints. Remove the Template. Insert a Concrete Anchor (M) into each of these holes until it is flush with the wall surface.

Place the Wall Plate over the six anchors then mount using the Lag Bolts (L), and Washers (I). Make sure the Wall Plate is flat against the wall surface. Do not over-tighten Lag Bolts (L).

Concrete

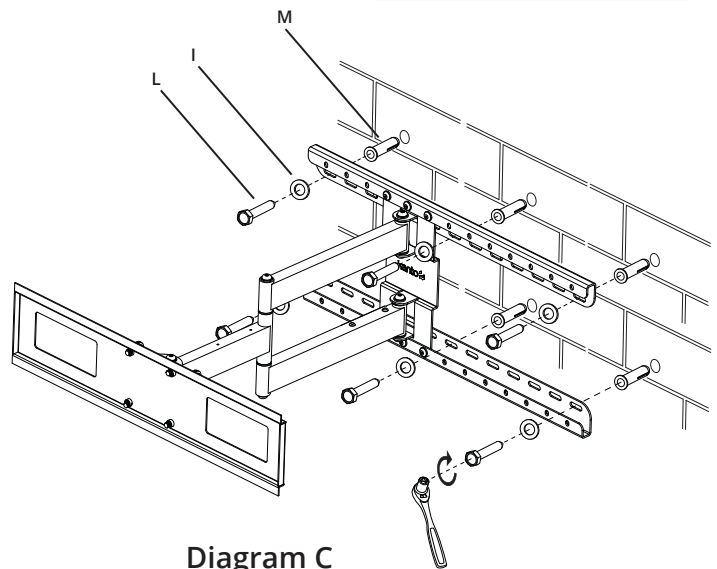
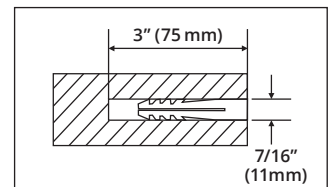


Diagram C



CAUTION

Make sure the concrete or brick wall is at least 3.5" thick. Make sure the anchor is seated completely flush with the concrete surface even if there is another layer of material, such as drywall. If drywall is over 5/8" thick custom Lag Bolts must be used. Concrete must be a minimum of 2000psi in density.



CAUTION

Do not adjust pivot point while TV is mounted to the Wall Plate.

Step 3: Adjust Pivot Point

You can adjust the pivot point from side to side on the Wall Plate up to 20". This flexibility gives you the option to mount in corners or pivot to allow viewing at different angles.

Before you mount the TV to the Wall Plate, adjust the position of the pivot by removing the six screws that hold the Pivot Plate to the Wall Plate, moving the Pivot Plate to its desired location, and re-attaching the six screws, as shown in Diagram D.

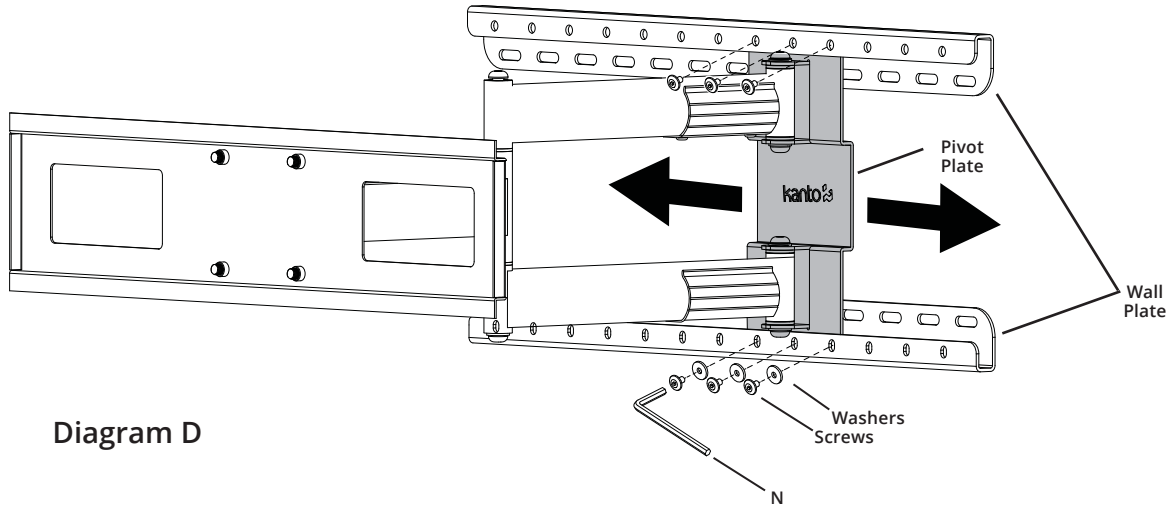


Diagram D

Step 4: Attach TV to Wall Plate

Ensure the safety screw on the Locking Bracket Arm is loosened, as shown in Diagram E. With the Pivot Plate firmly secured to the Wall Plate, use two people to lift the TV into position and hook the TV Bracket Arms onto the Wall Plate, as shown in Diagram E. Lower the TV until the Quick-Lock Bracket Arm locks into place on the Wall Plate.

Tighten the safety screw on the bottom of the Locking TV Bracket Arm using a Phillips screwdriver to secure the plate in place, as shown in Diagram F.

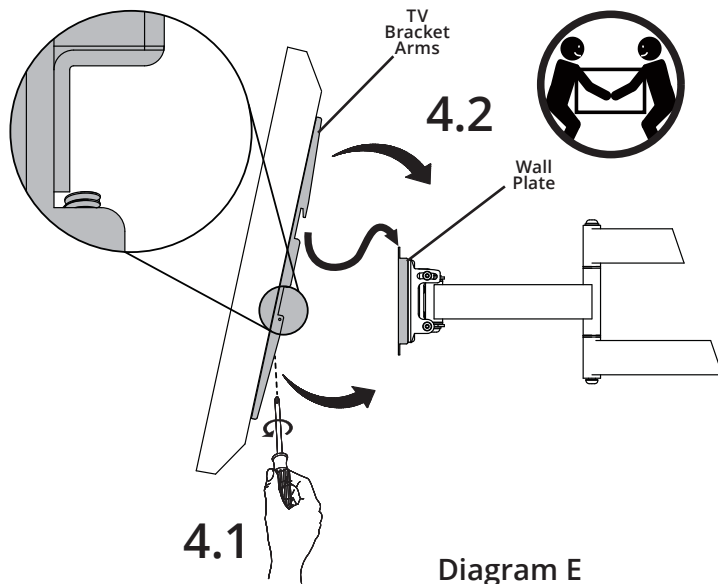


Diagram E

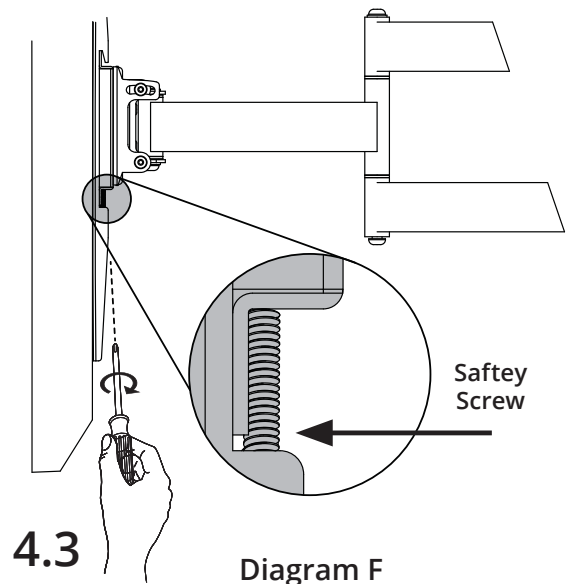


Diagram F

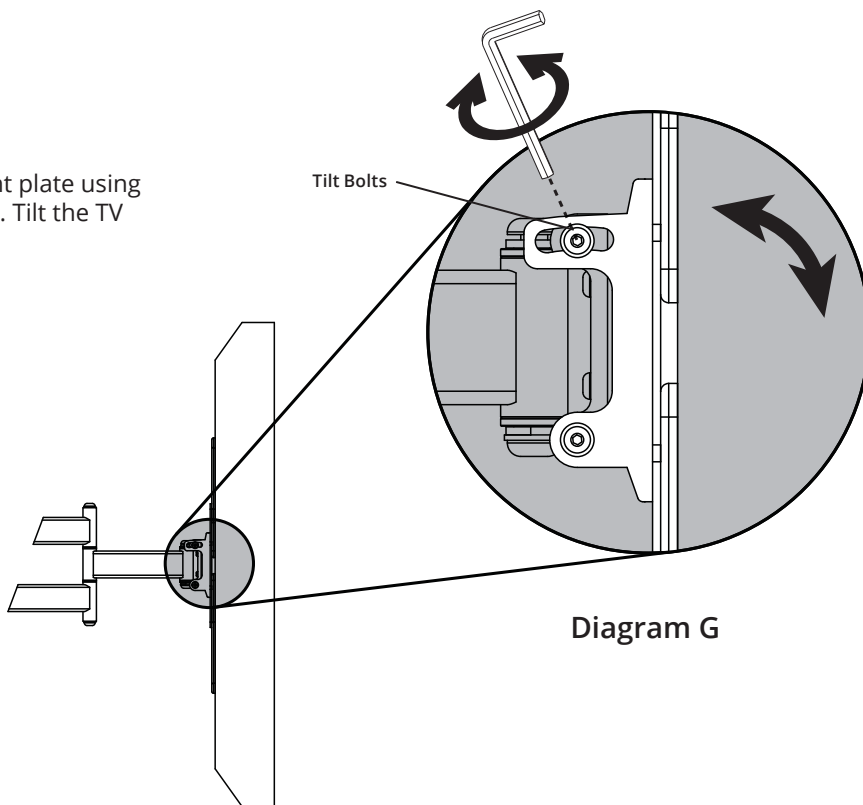


WARNING

Use two people to lift and position the TV onto the Wall Plate.

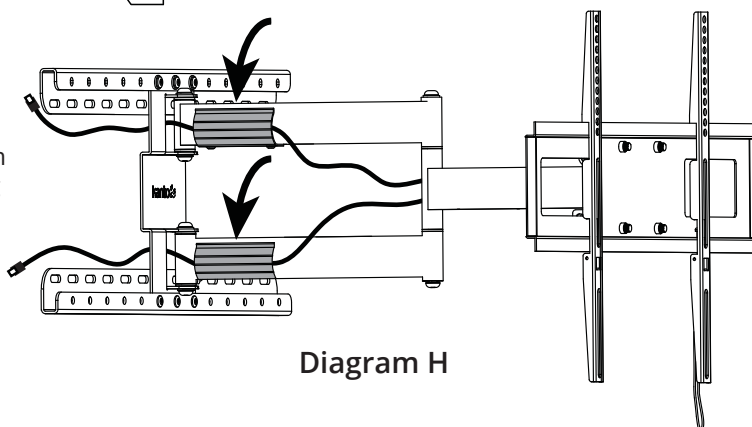
Step 5: Tilt the TV

Loosen the tilt bolts on both sides of the mount plate using the 5mm Allen Key (O), as shown in Diagram G. Tilt the TV to the desired angle and tighten both tilt bolts.

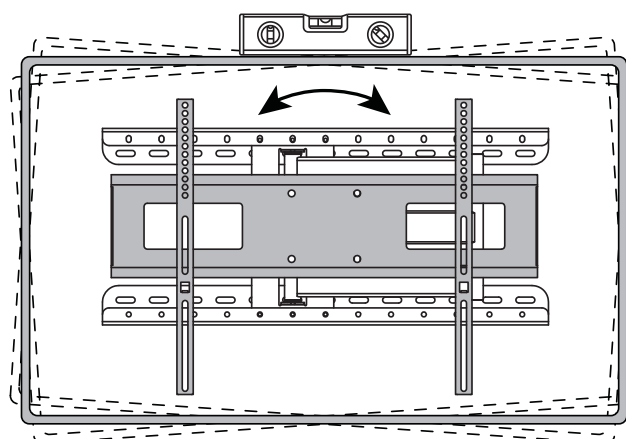
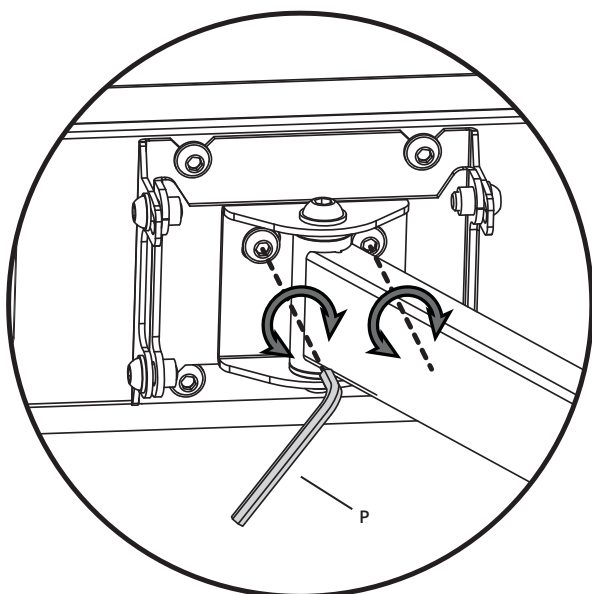


Step 6: Cable Management

Route your TV cables using the cable management covers installed to the mount arms, as shown in Diagram H. Access the clip by pulling the clip at the top and laying the cable inside. The cable management clips can be relocated to the opposite side of the arm by removing the screws on the bottom of the clip, moving it to the other side, and replacing the screws.



Step 7: Level TV





Check out more great products from Kanto!

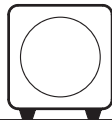
Kanto Speakers

- Check out our full line of bookshelf and desktop speaker systems
- Available in a stunning array of colors
- Visit kantospeakers.com for more!

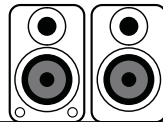
YU2
+
S2



sub6



YU4



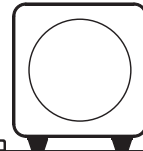
YU6

+

SP26

+

sub8



link
par kanto

- Full line of Audio and Video Cables
- White or Black Cables available
- HDMI, Optical, Mini-jack, RCA, USB
- Switchers, Hubs, and Adapters
- Visit kantoliving.com



To learn more about all our products, visit www.kantoliving.com

f Kanto Living

@kantoliving

kantoliving

Kanto Living

Kanto Living

Warranty

Limited Warranty to Original Purchaser

Kanto Distribution Inc. (Kanto) warrants the equipment it manufactures to be free from defects in material and workmanship for the following limited warranty period of: 5 years parts and labour

If equipment fails because of such defects and Kanto or an authorized dealer is notified within 5 years from the date of shipment with proof of original invoice, Kanto will, at its option, repair or replace the equipment, provided that the equipment has not been subjected to mechanical, electrical, or other abuse or modifications. Equipment that fails under conditions other than those covered will be repaired at the current price of parts and labor in effect at the repair. Such repairs are warranted for 90 days from the day of reshipment to the original purchaser. This warranty is in lieu of all other warranties expressed or implied, including without limitation, any implied warranty or merchantability or fitness for any particular purpose, all of which are expressly disclaimed. Customers will be responsible for obtaining a Return Authorization as well as shipping costs to return product to a Kanto location or authorized depot listed on the website. If the equipment is covered under the warranty provisions above, Kanto will repair or replace, and be responsible for return shipping to the customer. Please keep the original packaging so products will not be damaged during shipping, and we recommend you insure your shipment. If equipment fails outside the warranty provisions, customers will be quoted repair and return shipping costs prior to work being performed.

The information in the owner's manual has been carefully checked and is believed to be accurate. However, Kanto assumes no responsibility for any inaccuracies that may be contained in the manual. In no event will Kanto, be liable for direct, indirect, special, incidental, or consequential damages resulting from any defect or omission in this manual, even if advised of the possibility of such damages.

