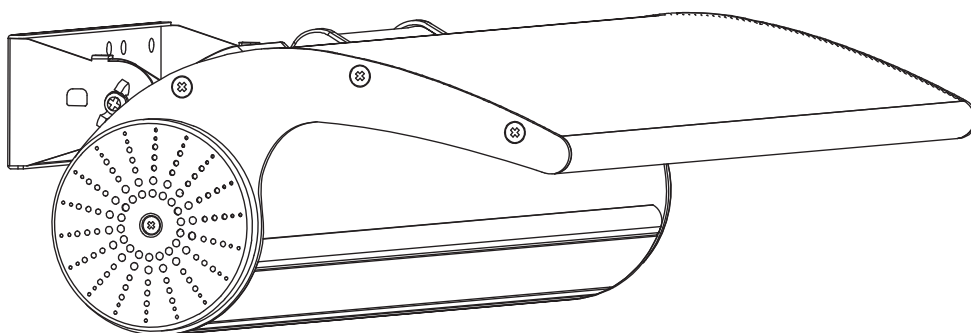




Owner's Manual

DSH Series Infrared Heater DSH Series Ceiling Bracket DSH Series Tower













Model
DSH20W
DSHCMB
DSHSTAND

IMPORTANT SAFETY INFORMATION: Always read this manual first before attempting to install or use this heater. For your safety, always comply with all warnings and safety instructions contained in this manual to prevent personal injury or property damage.

To view the full line of Dimplex products, please visit
www.dimplex.com



Table of Contents

	Welcome & Congratulations	3
	IMPORTANT INSTRUCTIONS	4
	Specifications	5
	Site Selection	6
	Clearances Required For A Wall-Mounted Installation	6
	Clearances Required For A Ceiling-Mounted Installation.	7
	Clearances Required For Tower Installation	8
	Installation	9
	Wall-Mounted Installation.	9
	Ceiling Installation	10
	Tower Installation	11
	Tower Assembly Instructions For A Single Heater	12
	Tower Assembly Instructions For Two Heaters	13
	Wiring Instructions	15
	Operating Instructions	16
	Timer Function	16
	Maintenance	17
	Troubleshooting	18
	Warranty	19
	Technical Support.	20

This manual covers installation and maintenance. Read carefully before attempting to install, operate, or service the Infrared heater.

! NOTE: Procedures and techniques that are considered important enough to emphasize.

! CAUTION: Procedures and techniques which, if not carefully followed, will result in damage to the equipment.

! WARNING: Procedures and techniques which, if not carefully followed, will expose the user to the risk of fire, serious injury, or death.

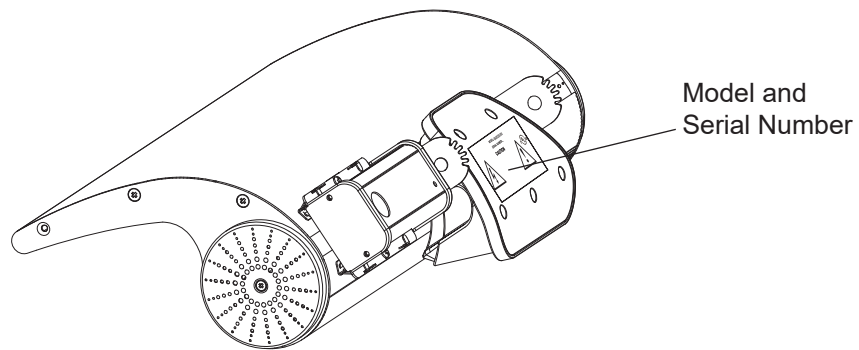
Welcome & Congratulations

Thank you and congratulations for choosing to purchase a Dimplex indoor/outdoor infrared heater.

Please carefully read and save these instructions.


⚠ CAUTION: Read all instructions and warnings carefully before starting installation. Failure to follow these instructions may result in a possible electric shock, fire hazard and will void the warranty.

Please record your model and serial numbers for future reference. Model and serial numbers can be found on the Model and Serial Number Label of your heater.



NO NEED TO RETURN TO THE STORE

Questions with operation or assembly? Require Parts Information?
Product Under Manufacturer's Warranty?

Contact us at:  www.dimplex.com/customer_support
For Troubleshooting and Technical Support

OR  Toll-Free 1-888-346-7539

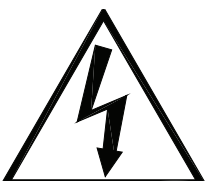
Please have your model number and
product serial number ready. (See above)



IMPORTANT INSTRUCTIONS

When using electrical appliances, precautions should always be followed to reduce the risk of fire, electric shock, and injury to persons, including the following:

- ① Read all instructions before installing or using this heater.
- ② Use this heater only as described in this manual. Any other use not recommended by the manufacturer may cause fire, electric shock, or injury to persons.
- ③ This heater is hot when in use. To avoid burns, do not let bare skin touch hot surfaces. Keep combustible materials, such as furniture, pillows, bedding, papers, clothes, and curtains at least 3 ft (0.9 m) from the front of the heater and keep them away from sides and rear restrictions.
- ④ Extreme caution is necessary when any heater is used by or near children or invalids and whenever the heater is left operating and unattended.
- ⑤ Do not allow any cables, furnishing, flammable materials or other items come in contact with any surface of the heater.
- ⑥ Do not operate any heater with a damaged cord or after it malfunctions, has been dropped or damaged in any manner. Disconnect power at service panel and have heater inspected by a reputable electrician before reusing.
- ⑦ To disconnect heater, turn off power to heater at the circuit breaker.
- ⑧ Do not insert or allow foreign objects to enter any opening as this may cause an electric shock or fire, or damage the heater.
- ⑨ To prevent a possible fire, do not block air intakes or exhaust in any manner.
- ⑩ A heater has hot and arcing or sparking parts inside. Do not use it in areas where gasoline, paint, or flammable liquids are used or stored, as this can create a risk of fire or explosion.
- ⑪ Do not touch the heater during operation as the body becomes hot and could causes burns. Particular attention has to be given where children and vulnerable people are present.
- ⑫ This appliance is not intended for use by persons (including children) with reduced physical, sensory or mental capabilities, or lack of experience and knowledge, unless they have been given supervision or instruction concerning use of the appliance by a person responsible for their safety.
- ⑬ This equipment shall be installed only by qualified personnel who are familiar with the construction and operation of the apparatus and hazard involved.
- ⑭ Wiring procedures and connections shall be in accordance with the national and local codes having jurisdiction.
 - Within USA, electrical installation shall be made in accordance with the National Electrical Code.
 - Within Canada, electrical installation shall be made according to the provisions of section 62 of the Canadian electrical code part 1.
- ⑮ The heater is designed for outdoor and indoor use and should not be used for any other purpose. Any other use not recommended by the manufacturer may cause fire, electric shock, or injury to persons.
- ⑯ The heater must be mounted at least 2.4 m (8 ft) above ground level. For other clearance please refer to the diagram included in these instructions.
- ⑰ The heater is not intended for use in bathrooms, laundry areas or similar indoor areas. Never locate heater where it may fall into a bathtub, pool, spa, or other water container.
- ⑱ Do not install the heater directly near a bathtub, shower or swimming pool. Any switches or controls must not be within reach of a person in the bathtub, shower or swimming pool.
- ⑲ Ensure that the heater is securely fastened in its final mounting position before operating.
- ⑳ The heater must never be installed in the upwards or inwards facing position, the heating surface must always be positioned to direct the heat in a downwards or outwards direction
- ㉑ The heater must not be located immediately below an electrical connection. Power point should not be located at the back of the heater. The power point needs to be located outside the physical footprint of the heater to minimize heat build-up behind the heater.
- ㉒ There are no user-serviceable parts inside the heater. Any servicing other than regular cleaning of the heater should be performed by an authorized service professional.
- ㉓ Changes or modifications not expressly approved by the party responsible for compliance could void the warranty and the user's authority to operate the equipment.



CAUTION
RISK OF ELECTRIC SHOCK
DO NOT OPEN
NO USER-SERVICEABLE PARTS INSIDE



SAVE THESE INSTRUCTIONS FOR FUTURE REFERENCE



Specifications

TECHNICAL SPECIFICATION

Model No.	DSH20W
Voltage	240V 60Hz
Controller	Remote control and optional timer
Power	2000 W
Installation	Wall mount (optional tower or ceiling bracket sold separately)
Dimensions (LxWxH)	596 mm x 326 mm x 154 mm
	23.5" x 12.8" x 6.1"
Insulation	Class I
Ingress Protection Rating	IP65

Figure 1

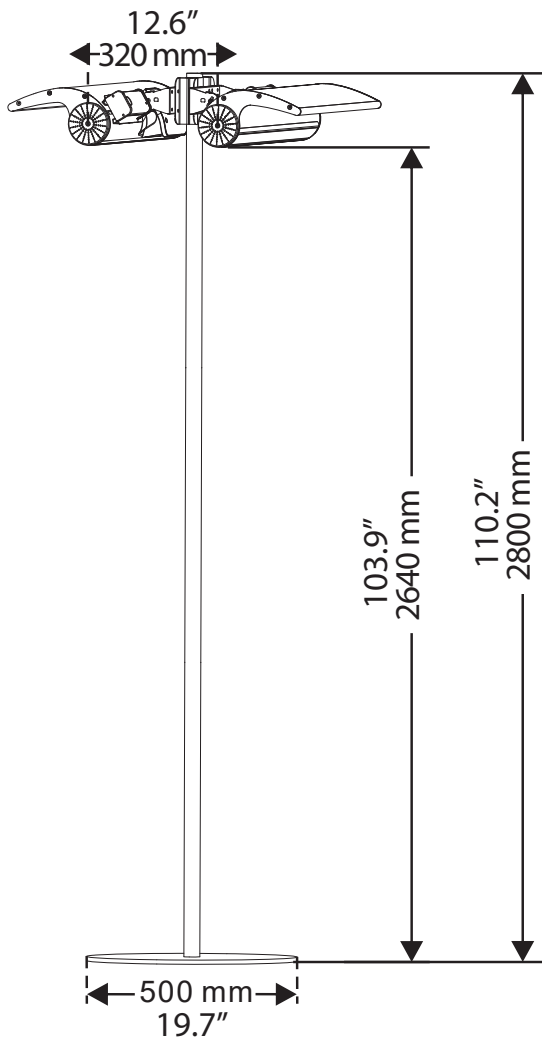
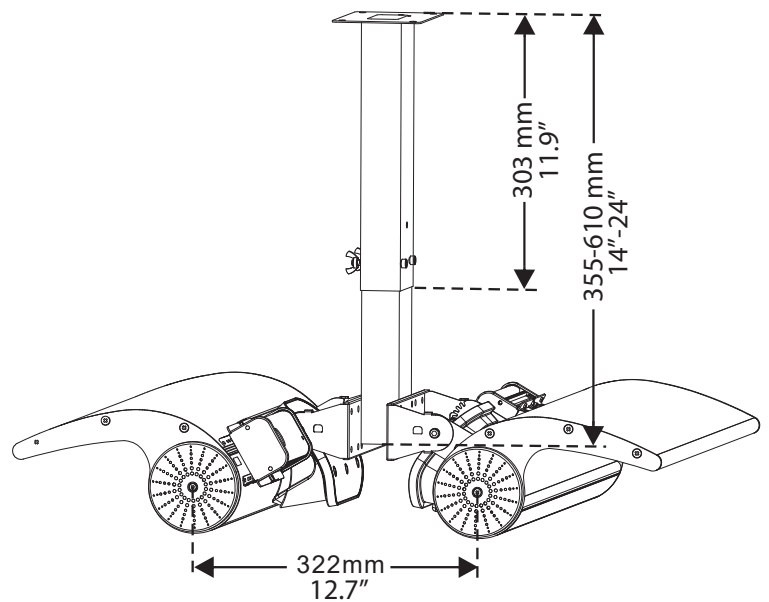


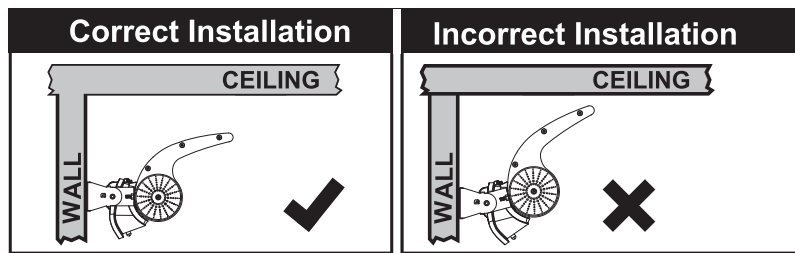
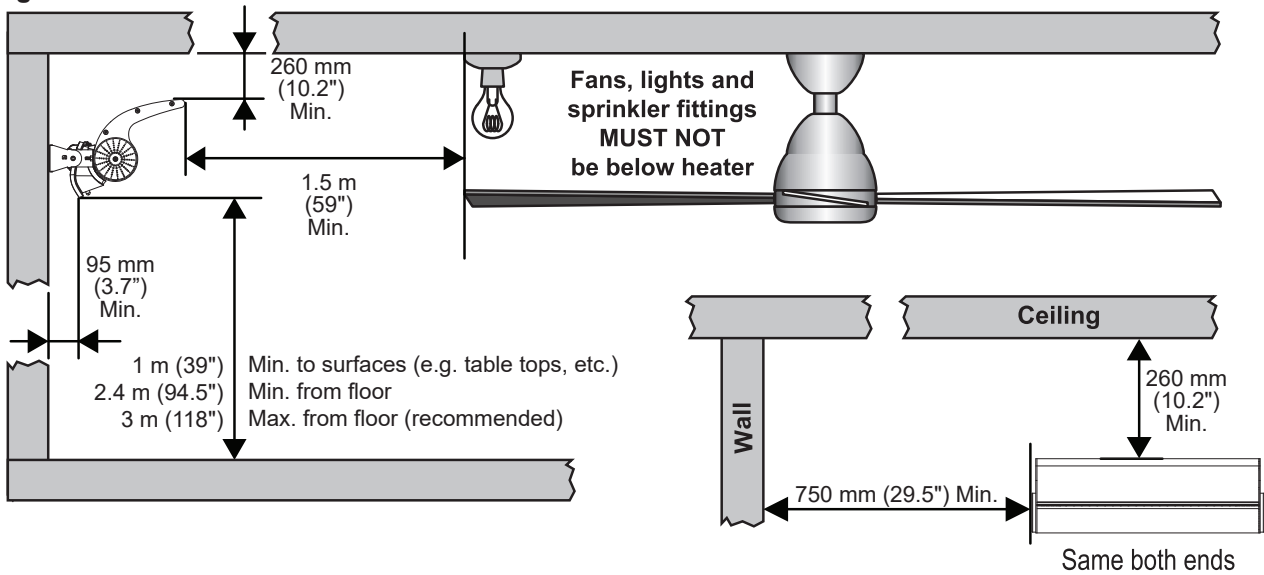
Figure 2



Site Selection

CLEARANCES REQUIRED FOR A WALL-MOUNTED INSTALLATION

Figure 3



CAUTION: Depending on material and design of wall structural elements, the heater must be secured with the correct fasteners. The weight of the DSH heater is 3.75 kg (8.27 lbs) . The installation structure and hardware must be able to hold 5 times the weight of the heater.

Site Selection

CLEARANCES REQUIRED FOR A CEILING-MOUNTED INSTALLATION

Figure 4

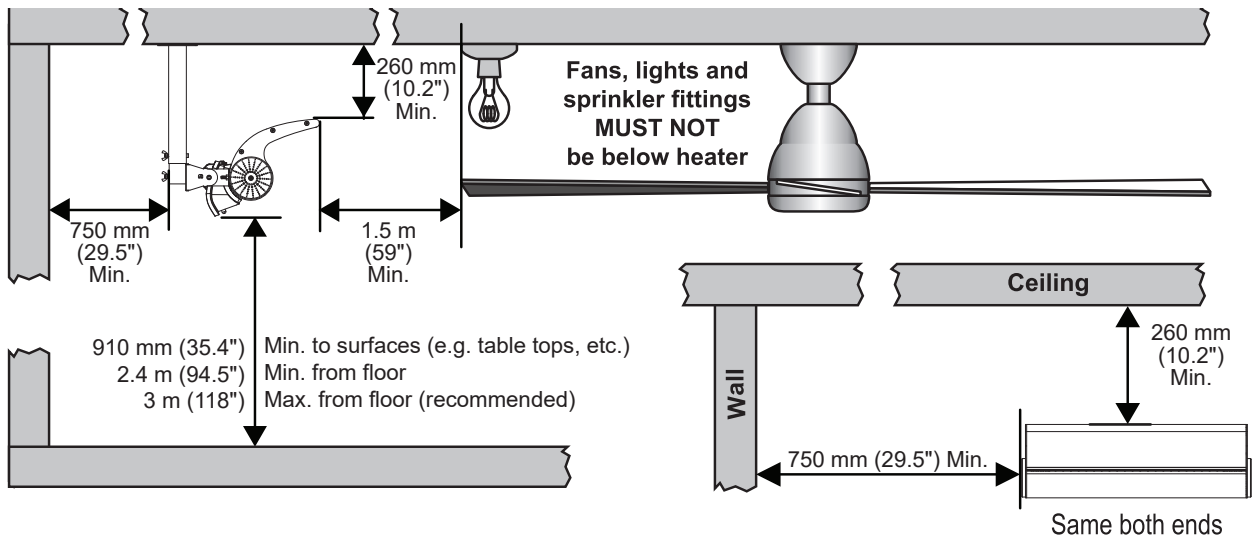


Figure 5

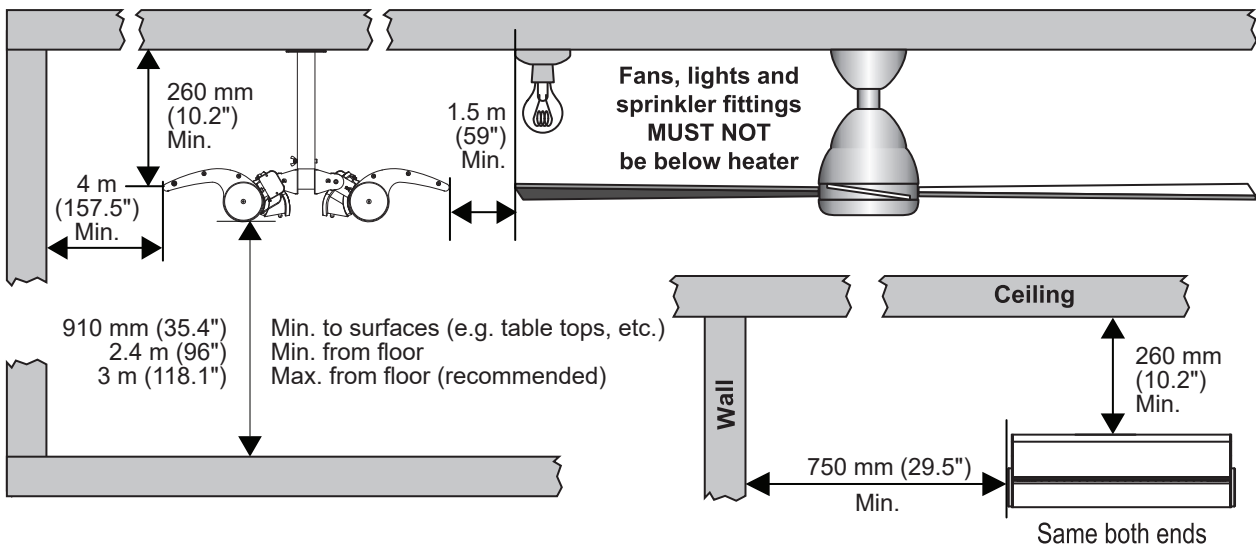
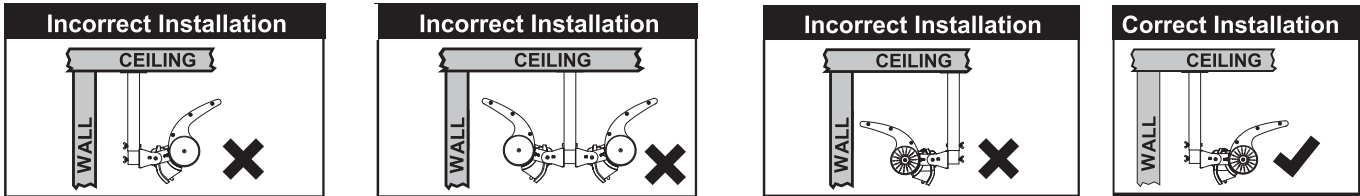


Figure 6



CAUTION: Depending on material and design of ceiling structural elements, the heater must be secured with the correct fasteners. The weight of each DSH heater is 3.75 kg (8.27 lbs) and the weight of the ceiling bracket is 1.25 kg (2.76 lbs). The installation structure and hardware must be able to hold 5 times the weight of the heater(s) and ceiling bracket.

Site Selection

CLEARANCES REQUIRED FOR A TOWER INSTALLATION

Figure 7

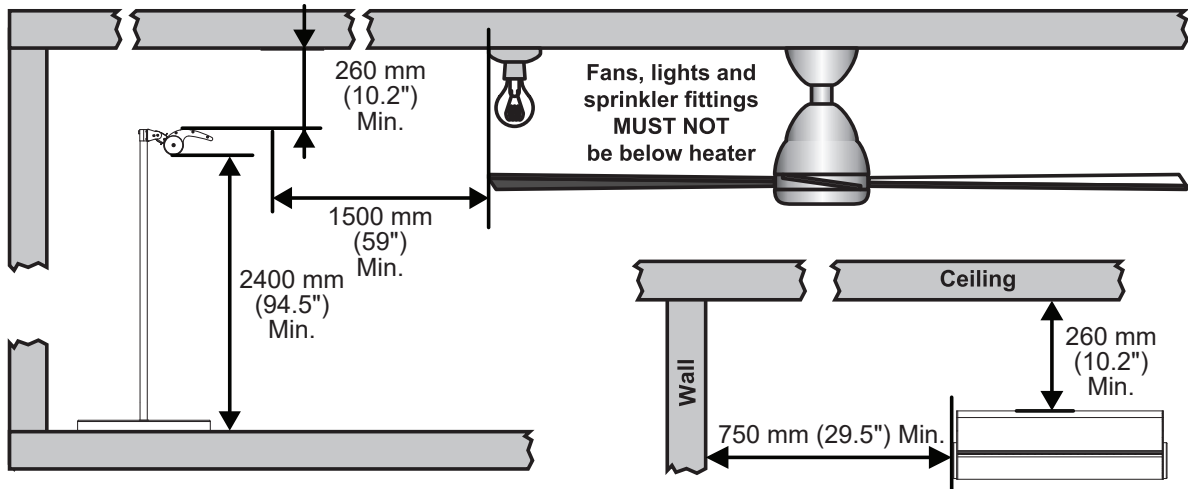


Figure 8

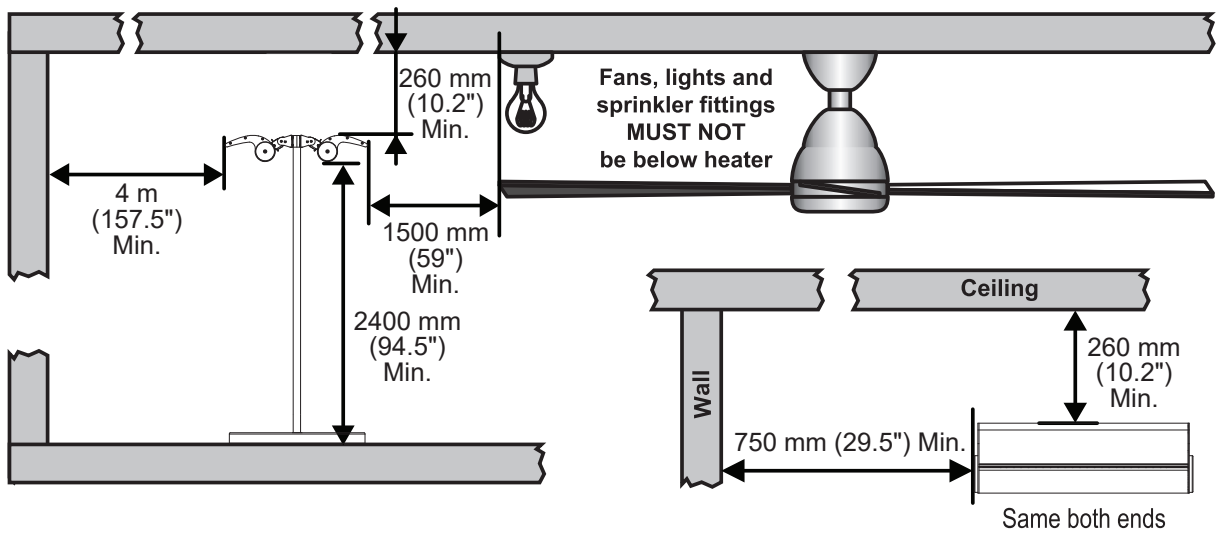
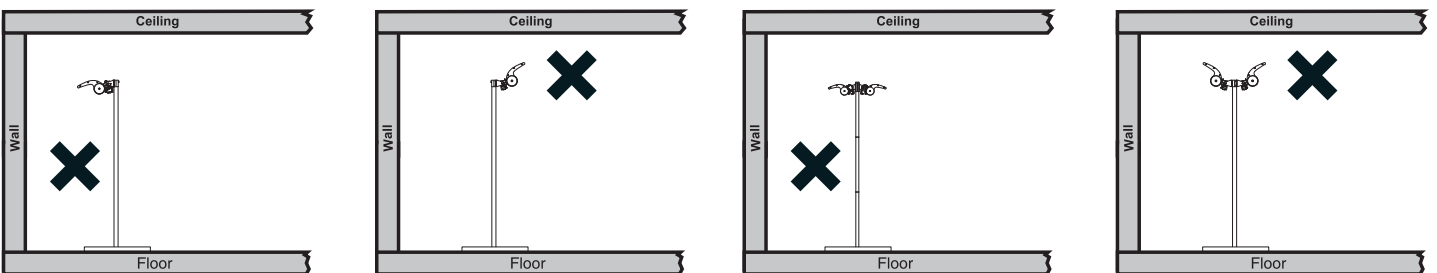


Figure 9





Installation

⚠ WARNING: Mounting of the infrared heater and its connection to the electric mains should be carried out only by qualified professionals according to the Electrical Installation Regulations and Power System Safety Standards and comply with all national and local electrical codes.

This heater comes with a stainless steel adjustable angle mounting bracket. The adjustable angle enables the heater to be installed on horizontal and inclined surfaces

Figure 9



- A: Holes for wall-mounted installation
- B: Holes for twin heaters tower kit installation
- C: Holes for single heater tower kit installation
- D: Holes for single or twin heaters ceiling installation

1. Open the package and carefully remove the heater.
2. Remove the packing material from the end of heater
3. Refer to the images in the *Site Selection* section for proper installation. If installing on a wall or ceiling, select the heater location by locating the stud or structural beams to ensure secure fastening of the heater. Ensure that all minimum clearances are achieved.
4. Follow the appropriate installation instructions for the intended application.

Wall-mounted installation: page 10

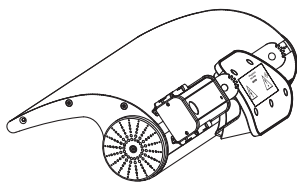
Ceiling-mounted installation: page 11

Single heater tower installation: page 12

Twin heater tower installation: page 13

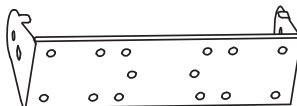
The DSH heater package contains the following components:

Quantity



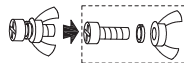
DSH Heater

1



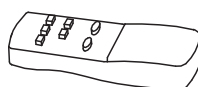
Mounting Bracket

1



Securing Hardware:
M6 x 16 Philips Bolt
Spring Washer
Wing nut

2



Remote Control

1



AAA Batteries

2



Installation

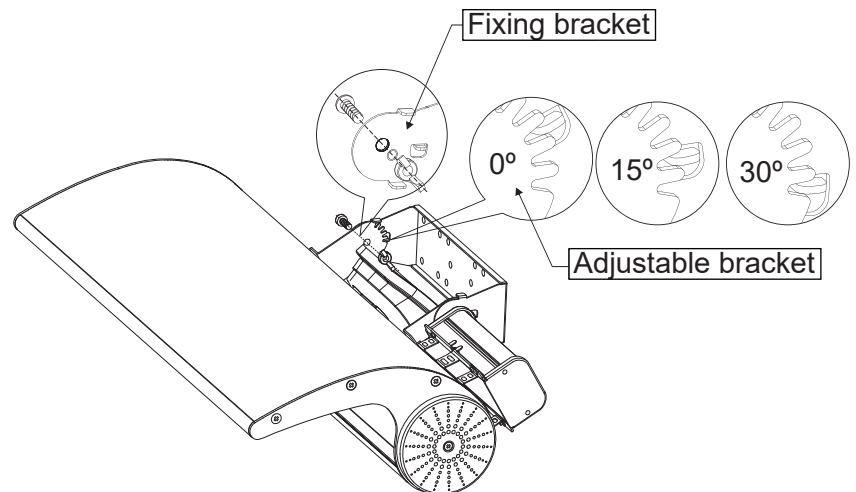
WALL-MOUNTED INSTALLATION

1. Install the mounting bracket on the wall using 4 sleeve anchors. Insert them through the holes labeled A in Figure 9.

⚠ CAUTION: Depending on material and design of ceiling structural elements, the heater must be secured with the correct fasteners. The weight of the DSH heater is 3.75 kg (8.27 lbs) . The installation structure and hardware must be able to hold 5 times the weight of the heater.

2. Install the heater to the bracket by setting the adjustable angle mounting brackets to the desired angle and fasten the brackets with an adjustable wrench. (Figure 10)

Figure 10





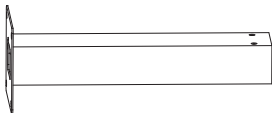


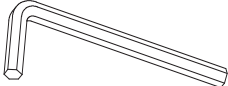
Installation

CEILING INSTALLATION

Ceiling installation of the DSH heater MUST be performed using the ceiling bracket accessory DSHCMB (sold separately). This ceiling bracket accessory allow for installation of one or two DSH infrared heaters on the ceiling. This bracket can be installed indoors or outdoors.

Cables can be passed within the center of the bracket. The telescopic pole can be adjusted for four different heights, ranging from 35.5 cm (14") to 61 cm (24").

The DSHCMB contains the following components:

		Quantity
A	 Support Bracket	1
B	 Telescoping Bracket	1
C	 M6 x 55 Philips bolt, spring washer, and wing nut	4
D	 Hex Wrench	1

1. Set the height of the ceiling bracket by inserting the telescoping pole into the support bracket and installing the hardware at the desired height. (Figure 11)

! NOTE: The minimum distance between the bottom end of the pole to the ceiling is 35.5 cm (14") and the maximum distance is 61 cm (24"). See the *Site Selection* section to ensure that all minimum clearances have been met.

2. Install the heater to the fixing bracket by setting the adjustable angle mounting brackets to the desired angle and fasten the brackets with an adjustable wrench. (Figure 10)
3. Secure the heater and fixing bracket to the ceiling-mounting bracket using the hardware pre-installed on the ceiling-mounting bracket. The hardware should be threaded through the holes labeled D in Figure 9. (Figure 12, Figure 13)
4. Secure the bracket to the ceiling using hardware suitable for your application (not included).

! NOTE: Depending on material and design of ceiling structural elements, the heater must be secured with the correct fasteners. The weight of each DSH heater is 3.75 kg. The installation structure and hardware must be able to hold 5 times the weight of the heater(s).

Figure 11

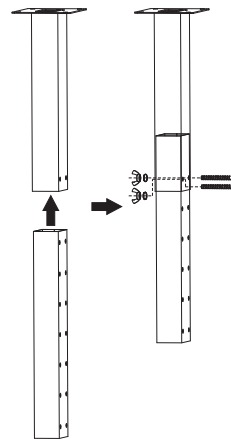
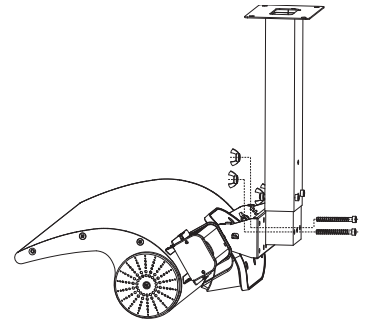
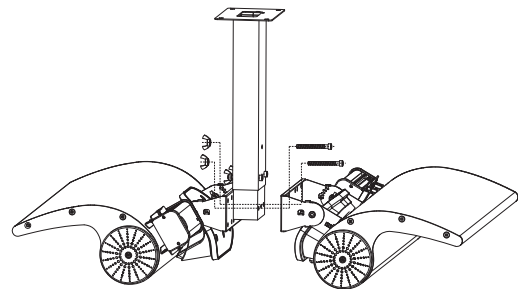


Figure 12



One Heater Installation

Figure 13



Two Heater Installation



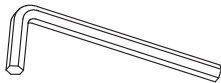
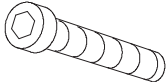
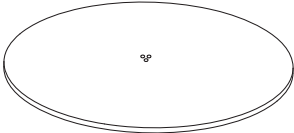



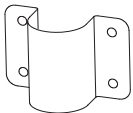
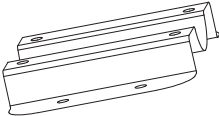
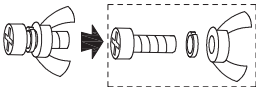

Installation

TOWER INSTALLATION

DSHSTAND is an optional tower available for the DSH20W infrared heater. This tower can be installed indoors or outdoors. If power cables are accessed from the bottom, they can be passed through the inner diameter of the tower. It is recommended to do this during the second step of installation, when the poles are being assembled. Refer to your local electrical code for information on the appropriate cables for your application.

⚠ WARNING: The optional tower accessory comes with permanent location mounting brackets that fixes the heater in place. This helps prevent a tip over, which could result burns and injuries to persons, as well as damage to property and the heater.

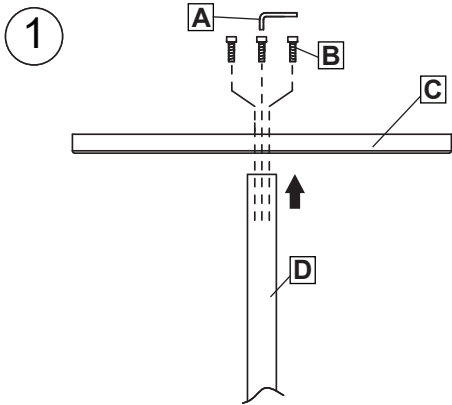
The DSHSTAND contains the following components:

			Quantity
A		Hex Wrench	1
B		M6 x 40 Hex Socket Cap Screw	3
C		Base	1
D		Lower Pole	1
E		Middle Pole	2
F		Upper Pole	1
G		Bracket for Single Heater Installation	1
H		Bracket for Twin Heater Installation	2
I		Securing Hardware: M6 x 16 Philips Bolt Spring Washer Wing nut	12
J		Fixing Plate	3

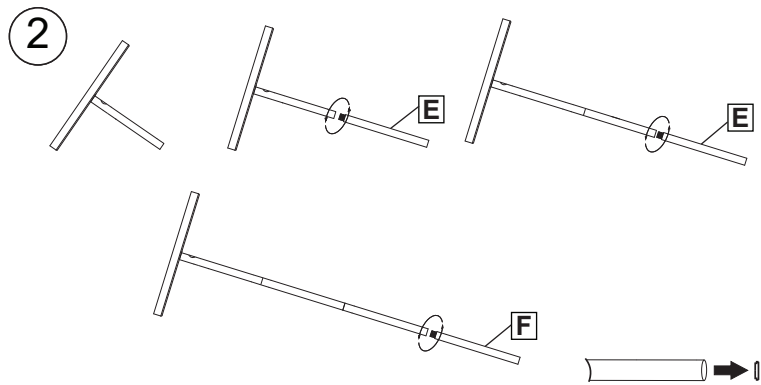


Installation

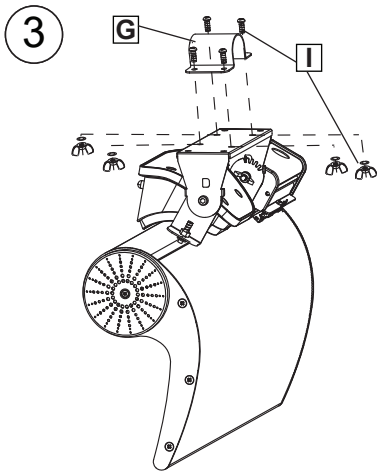
TOWER ASSEMBLY INSTRUCTIONS FOR A SINGLE HEATER



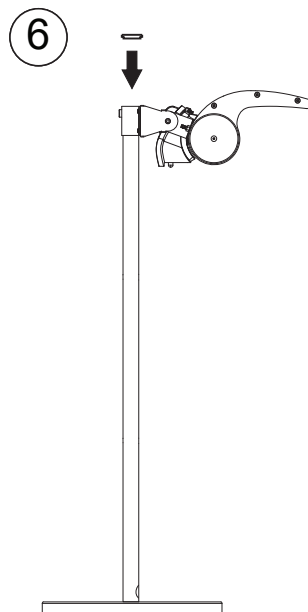
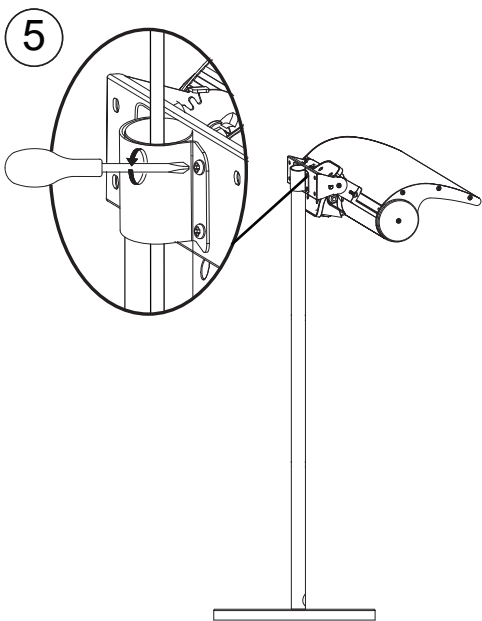
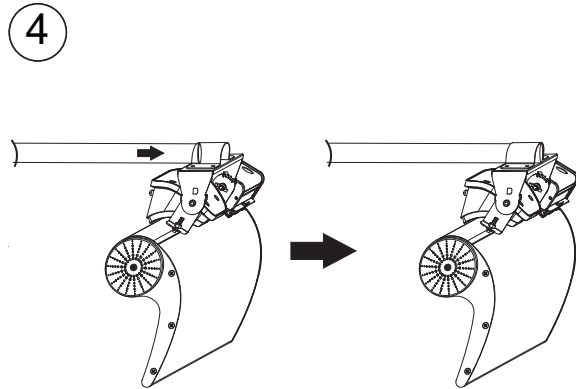
Attach the pole that has three holes at the bottom to the base.



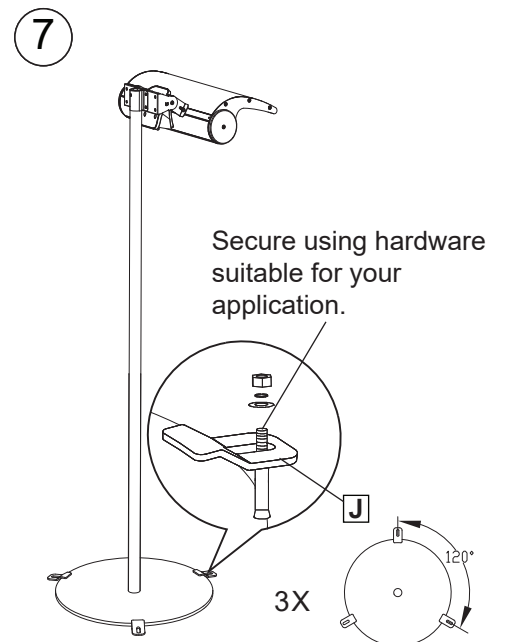
Remove the rubber cap from the top pole.



Secure the bracket using holes labeled "C" in Figure 9.



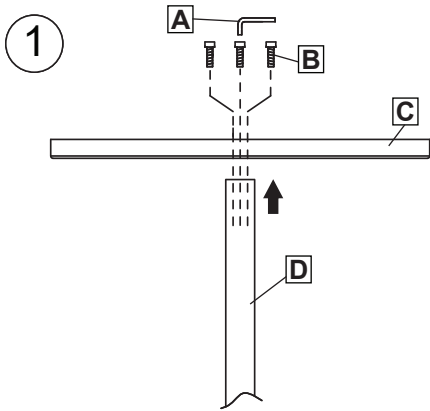
Re-install the rubber cap on the top of the pole.



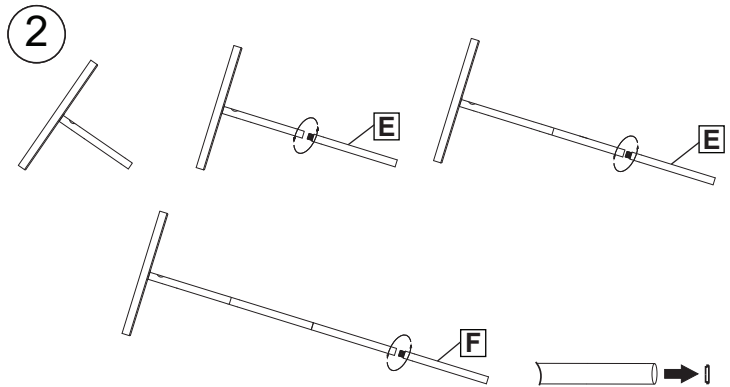


Installation

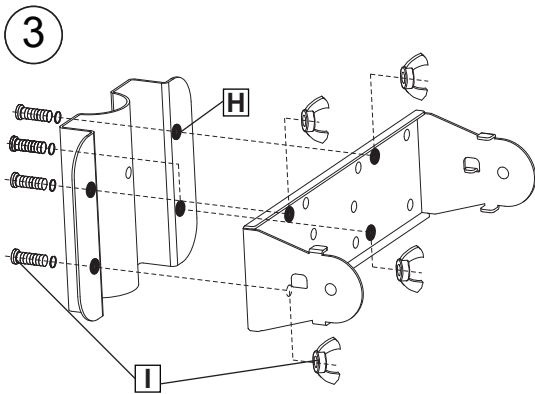
TOWER ASSEMBLY INSTRUCTIONS FOR TWO HEATERS



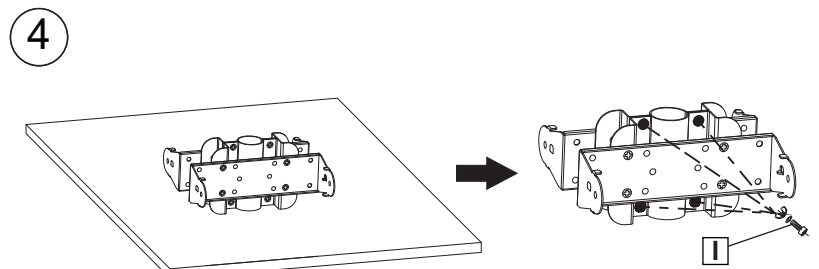
Attach the lower pole to the base.



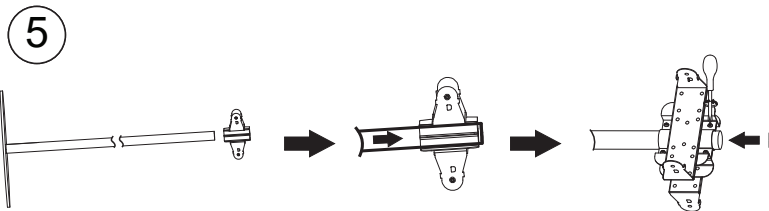
Remove the rubber cap from the top pole.



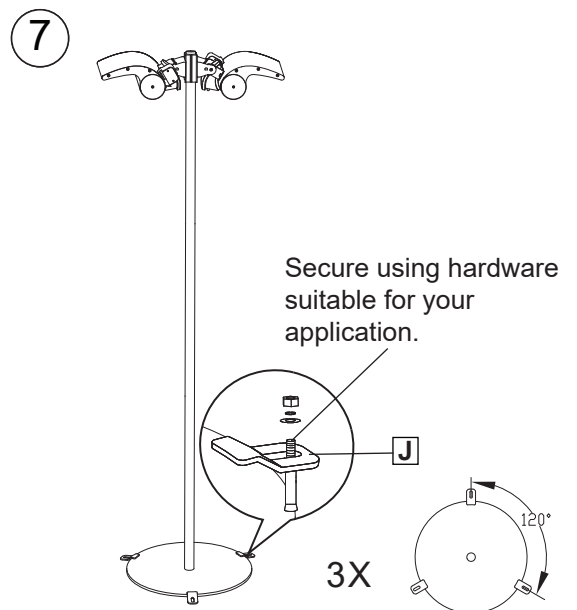
Secure the bracket using holes labeled "B" in Figure 9.



Fasten the hardware loosely.
Do not tighten at this step.



Re-install rubber stopper and tighten the bracket hardware from the previous step.



Secure using hardware suitable for your application.

6 Install the heater to the fixing bracket by setting the adjustable angle mounting brackets to the desired angle and fasten the brackets with an adjustable wrench. (Figure 10)



Wiring Instructions

WARNING

- This Heater **MUST** be permanently installed and hard wired by an authorized / licensed electrical professional.
- Disconnect electric power supply before working on circuit wiring to prevent electric shock.
- When installing outdoors we recommend the heater is positioned where it will be protected from exposure to extreme weather such as snow and ice.
- This heater must be grounded.
- Electrical connection must have ground fault protection (GFCI or GFI).
- A circuit breaker is required for proper installation, do not load beyond 80% capacity.
- This heater is designed for connection to a 240V electric main equipped with a grounding wire.

1. Check product label for correct voltage and wattage. Make sure power source conforms to the heater's requirements.
2. The junction box on the top of the heater has a gasket side access cover. The junction box inlet is drilled and threaded for a standard 1/2" (19 mm) weather tight conduit fittings. The installing electrician will need to provide the appropriate rigid metallic, flexible or liquid tight conduit, conduit fittings for installation location.
3. For outdoor installation all connections must be made in accordance with local electrical code regulations for outdoor wiring. Only use wiring components approved for outdoor use with minimum NEMA Type 4x or equivalent.
4. Remove the screws holding the junction box cover. Make the electrical connections using wire nuts (not supplied). The green wire connects to the ground wire from the power source. The black wire connects to the L1 wire from the power source. The white wire connects to the L2 wire from the power source.
5. Assemble the junction box cover & gasket. Ensure that the junction box cover gasket (supplied with unit) is installed to maintain rain water ingress protection rating of the heater. Failure to install correctly will void the manufacturer's warranty.

Figure 14

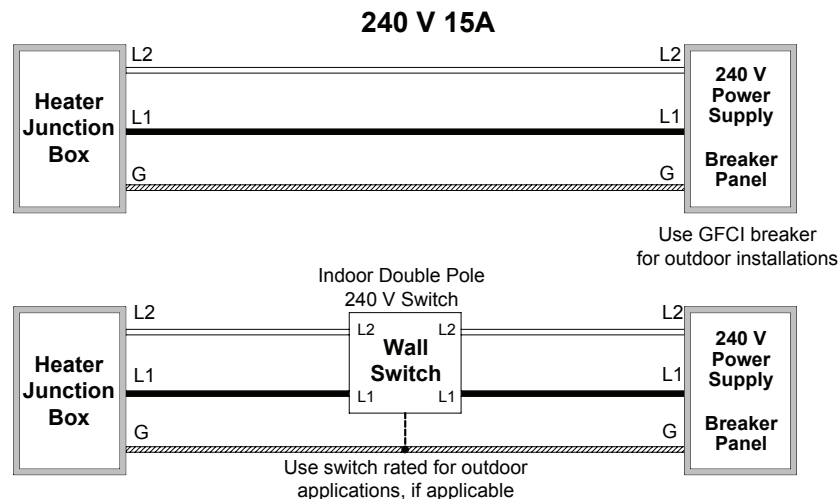
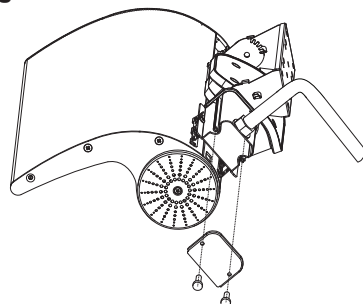
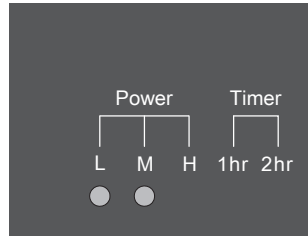
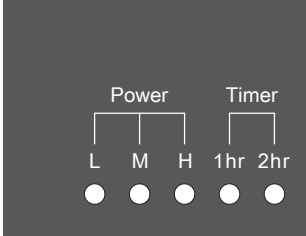


Figure 15

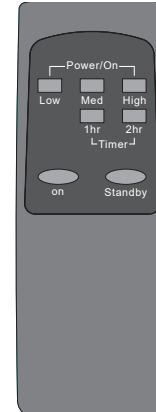


Operating Instructions

⚠ WARNING: The heater must be properly installed before it is used. Slight crackles may be heard during the heating or cooling period. This is a normal part of the operation of the heater.



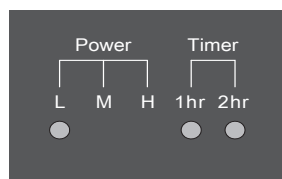
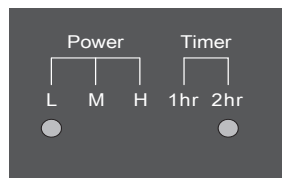
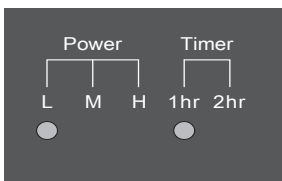
1. Switch on the circuit breaker. The heater will begin in Standby mode. When the unit is in Standby, the lowest heat temperature setting LED will be flashing to indicate the unit is in Standby.
 2. Point the remote control directly to the receiver, press 'LOW', 'MED', 'HIGH' to set your desired temperature setting. The red LEDs on the display panel will illuminate to indicate the power level. One red LED indicates that the unit is set to Low, two red LEDs indicate that the unit is set to Medium, and three LEDs indicate that the unit is set to High.
- ! NOTE:** It is recommended that the distance between the heater and the remote be less than 3 m (9.8 ft.), and the remote control must be pointed directly to the receiver on the front panel during the operation.



- ! NOTE:** When the 'ON' button is used to turn on the heater, it will start up on the high temperature setting.
3. To set the heater to standby mode point the remote control directly at the receiver and press 'Standby'. At this time the lowest heat temperature setting LED will be flashing to indicate the unit is in Standby mode.
- ! NOTE:** There is a built in safety feature that will automatically trigger the heater to go into standby mode after eight hours of continuous operation. At this time the lowest heat temperature setting LED will be flashing to indicate that the unit is in Standby.

TIMER FUNCTION

Your Dimplex infrared heater comes with a programmable timer that will automatically place the heater in Standby mode after 1, 2, or 3 hours of operation. Once in Standby mode a single red LED will be flashing.



1. To operate the timer point the remote control directly to the receiver. To set the timer for 1 hour, point the remote control directly to the receiver and press '1 hr.' A single green LED light will illuminate on the unit's display panel under '1 hr.' to indicate that the timer is active.
2. To set the timer for 2 hours of operation point the remote control directly to the receiver and press '2 hr.' A single green LED light will illuminate on the unit's display panel under '2 hr.' to indicate that the timer is active.
3. To set the timer for 3 hours of operation point the remote control directly to the receiver and press '1 hr.' and '2 hr.' Both green LED lights will illuminate on the unit's display panel to indicate that the timer is active.



Maintenance

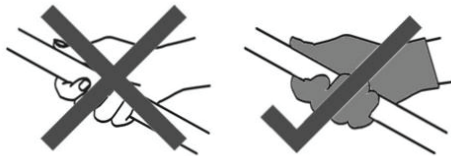
ELECTRIC SHOCK HAZARD

- Potentially lethal voltages are present. Be sure to turn off the unit at the circuit breaker before attempting any maintenance.

RISK OF INJURY/BURN

- Do not attempt to service or clean heater while unit is operating, as there is a hazard from electric shock, and injury potential from hot heating elements. To avoid the risk of burn or injury wait a minimum of 6 hours for the heater to cool before attempting to clean or service.
- Maintenance and repair must be performed by qualified personnel only.

⚠ CAUTION: Do not handle the halogen bulb with bare hands. If it is inadvertently touched, remove finger marks with a soft cloth and methylated spirit or rubbing alcohol. Otherwise, the marks will burn into the quartz emitter during use causing premature heater failure.



- It is necessary to periodically (once a year) check the electric cable contacts and terminal connectors for good tightening.
- Before cleaning the unit, the power shall be turned off at the circuit breaker panel, and the heating unit must be cool to the touch to prevent bodily injury.
- If the body becomes dirty, wipe off dust with a towel. The radiating boards should be wiped in cold condition with a damp soft rag. It is recommended to clean the unit every 3 months for peak performance and to prevent unpleasant burnt odor.

⚠ WARNING: Never immerse the heater in water! Doing so could cause damage, bodily injury, or death.

Battery Installation

1. Depress tab on the battery cover on the back of the remote control and remove battery cover.
2. Install two AAA batteries into the remote control.
3. Replace the battery cover.



Battery must be recycled or disposed of properly. Check with your Local Authority or Retailer for recycling advice in your area.



Troubleshooting

Troubleshooting prior to calling a service technician:

SYMPTOM	RECOMMENDED ACTION
Will not heat / No operation indicator LED	Check that power is connected and switched on
Heater smells when first used	This is caused by oil or dust left over from the manufacturing process and will stop after a short time
Faint smell for short periods after turning on the heater	This is normal and should stop after a short time
Heater smells when turned on after periods of non-use	This is the result of build-up debris and dust in the heater, Switch the heater off and allow it to cool down and then clean before operating
Clinking noises when heater is turned on and after being turned off	This is expansion and contraction noises of the heaters metal components and is a normal function of the heater
Poor heating performance	Exposure to extreme ambient conditions such as high winds / excessively cold temperatures can lower the heating performance of an outdoor installation
	Unit is not installed in correct position, possibly too high or heater is too small for recommended area.

When to contact the authorized service technician or your dealer:

SYMPTOM	RECOMMENDED ACTION
There is a burning smell and or strange sounds (other than normal expansion and contraction noises) coming from the unit	Turn off the heater, and contact your dealer
When associated circuit breaker (safety, ground) trips or a fuse is blown	Turn off the heater, and contact your dealer or a certified electrical technician
Poor heating performance	Incorrectly sized installation, contact your dealer for more information
Poor heating performance	Faulty heater element, turn off the heater, and contact your dealer
Will not heat / No operation indicator	Check that power is connected and switched on, if still faulty turn off the heater, and contact your dealer or a certified electrical technician.

Warranty

One Year Limited Warranty

Products to which this limited warranty applies

This limited warranty applies to your newly purchased Dimplex Infrared Indoor/Outdoor Heater. This limited warranty applies only to purchases made in any province of Canada except for Yukon Territory, Nunavut, or Northwest Territories or in any of the 50 States of the USA (and the District of Columbia) except for Hawaii and Alaska. This limited warranty applies to the original purchaser of the product only and is not transferable.

Products excluded from this limited warranty

IR Halogen Heating Elements are not covered by this limited warranty and are the sole responsibility of the owner/purchaser. Products purchased in Yukon Territory, Nunavut, Northwest Territories, Hawaii, or Alaska are not covered by this limited warranty. Products purchased in these States, provinces, or territories are sold AS IS without warranty or condition of any kind (including, without limitation, any implied warranties or conditions of merchantability or fitness for a particular purpose) and the entire risk of as to the quality and performance of the products is with the purchaser, and in the event of a defect the purchaser assumes the entire cost of all necessary servicing or repair.

What this limited warranty covers and for how long

Products covered by this limited warranty have been tested and inspected prior to shipment and, subject to the provisions of this warranty, Glen Dimplex Americas Ltd. (Glen Dimplex Americas herein) warrants such products to be free from defects in material and workmanship for a period of 12 months from the date of the first purchase of such product. The limited 12 month warranty period also applies to any implied warranties that may exist under applicable law. Some jurisdictions do not allow limitations on how long an implied warranty lasts, so the above limitation may not apply to the purchaser.

What this limited warranty does not cover

This limited warranty does not apply to products that have been repaired (except by Glen Dimplex Americas or its authorized service representatives) or otherwise altered. This limited warranty does further not apply to defects resulting from misuse, abuse, accident, neglect, incorrect installation, improper maintenance or handling, or operation with an incorrect power source.

What you must do to get service under this limited warranty

Defects must be brought to the attention of Technical Service by contacting them at www.dimplex.com/contact_us or by calling 1-888-346-7539. Please have proof of purchase, catalogue/model and serial numbers available when calling. Limited warranty service requires a proof of purchase of the product.

What Glen Dimplex Americas will do in the event of a defect

In the event a product or part covered by this limited warranty is proven to be defective in material or workmanship during the 12 month limited warranty period you have the following rights:

- Glen Dimplex Americas will in its sole discretion either repair or replace such defective product or part without charge. If Glen Dimplex Americas is unable to repair or replace such product or part, or if repair or replacement is not commercially practicable or cannot be timely made, Glen Dimplex Americas may, in lieu of repair or

replacement, choose to refund the purchase price for such product or part.

- Limited warranty service will be performed solely by dealers or service agents of Glen Dimplex Americas authorized to provide limited warranty services.
- The purchaser is responsible for removal and transportation of such product or part (and any repaired or replacement product or part) to and from the authorized dealer's or service agent's place of business.
- This limited warranty does not entitle the purchaser to on-site or in-home services. On-site or in-home services may be performed at the purchaser's specific request and expense at Glen Dimplex Americas then-current rates for such services.
- Glen Dimplex Americas will not be responsible for, and the limited warranty services shall not include, any expense incurred for installation or removal of the product or part (or any replacement product or part) or any labour or transportation costs. Such costs shall be the purchaser's responsibility.

How State and Provincial law apply

This limited warranty gives you specific legal rights, and you may also have other rights which vary from jurisdiction to jurisdiction. The provisions of the United Nations Convention on Contracts for the Sale of Goods shall not apply to this limited warranty or the sale of products covered by this limited warranty.

What Glen Dimplex Americas and its dealers and service agents are also not responsible for:

IN NO EVENT WILL GLEN DIMPLEX AMERICAS, OR ITS DIRECTORS, OFFICERS, OR AGENTS, BE LIABLE TO THE PURCHASER OR ANY THIRD PARTY, WHETHER IN CONTRACT, IN TORT, OR ON ANY OTHER BASIS, FOR ANY INDIRECT, SPECIAL, PUNITIVE, EXEMPLARY, CONSEQUENTIAL, OR INCIDENTAL LOSS, COST, OR DAMAGE ARISING OUT OF OR IN CONNECTION WITH THE SALE, MAINTENANCE, USE, OR INABILITY TO USE THE PRODUCT,

EVEN IF GLEN DIMPLEX AMERICAS OR ITS DIRECTORS, OFFICERS, OR AGENTS HAVE BEEN ADVISED OF THE POSSIBILITY OF SUCH LOSSES, COSTS OR DAMAGES, OR IF SUCH LOSSES, COSTS, OR DAMAGES ARE FORESEEABLE. IN NO EVENT WILL GLEN DIMPLEX AMERICAS, OR ITS OFFICERS, DIRECTORS, OR AGENTS BE LIABLE FOR ANY DIRECT LOSSES, COSTS, OR DAMAGES THAT EXCEED THE PURCHASE PRICE OF THE PRODUCT.

SOME JURISDICTIONS DO NOT ALLOW THE EXCLUSION OR LIMITATION OF INCIDENTAL OR CONSEQUENTIAL DAMAGES, SO THE ABOVE LIMITATION OR EXCLUSION MAY NOT APPLY TO THE PURCHASER.



Technical Support

Technical and troubleshooting support, as well as a list of replacement parts can be found on www.dimplex.com/customer_support

1-888-346-7539 | www.dimplex.com

In keeping with our policy of continuous product improvement, we reserve the right to make changes without notice.

© 2019 Glen Dimplex Americas

GlenDimplex 
AMERICAS
Enhancing the moments that matter in life

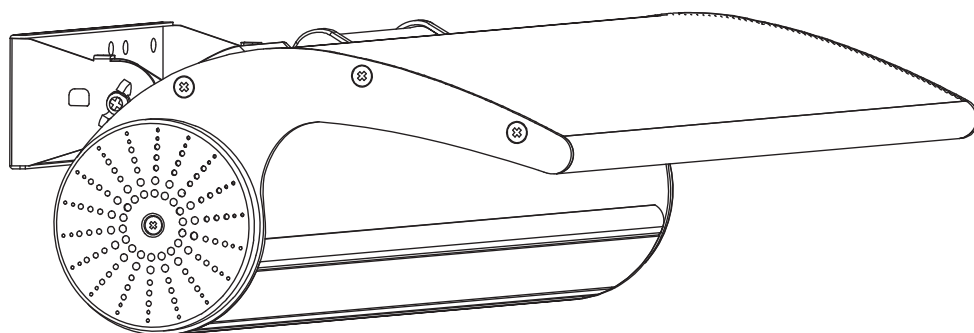


Manuel d'utilisation

**Chaufferette infrarouge intérieure / extérieure
de la série DSH**

Support de plafond de la série DSH

Tour de la série DSH












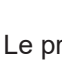
Modèles
DSH20W
DSHCMB
DSHSTAND

CONSIGNES DE SÉCURITÉ IMPORTANTES : Lire le présent manuel avant d'essayer d'installer ou d'utiliser cet appareil.
Pour votre sécurité, toujours respecter tous les avertissements et suivre les consignes de sécurité données dans le présent manuel afin de prévenir les blessures ou les dommages matériels.

Pour découvrir la gamme complète des produits Dimplex, visitez le site
www.dimplex.com



Table des matières

	Welcome & Congratulations	3
	INSTRUCTIONS IMPORTANTES	4
	Specifications	5
	Choix de l'emplacement	6
	Dégagements minimaux pour installation au mur	6
	Dégagements minimaux pour installation au plafond	7
	Dégagements minimaux pour installation avec la tour	8
	Installation	9
	Installation murale	9
	Installation au plafond	10
	Installation de la tour	11
	Installation de la tour avec un radiateur	12
	Installation de la tour avec deux radiateurs.	13
	Instructions de raccordement	15
	Utilisation	16
	Fonction de minuterie.	16
	Entretien	17
	Dépannage	18
	Garantie	19
	Service d'assistance technique.	20

Le présent manuel traite de l'installation et de l'entretien de l'appareil. Lire attentivement le manuel avant de tenter d'installer, d'utiliser ou d'entretenir l'appareil de chauffage infrarouge.

! NOTE : Marches à suivre et techniques d'importance suffisantes pour être soulignées.

⚠ MISE EN GARDE : Le non respect de ces procédures et techniques provoquera l'endommagement de l'équipement.

⚠ AVERTISSEMENT : Marches à suivre et techniques qui, si elles ne sont pas bien respectées, exposeront l'utilisateur à des risques d'incendie, de blessure grave ou de décès.

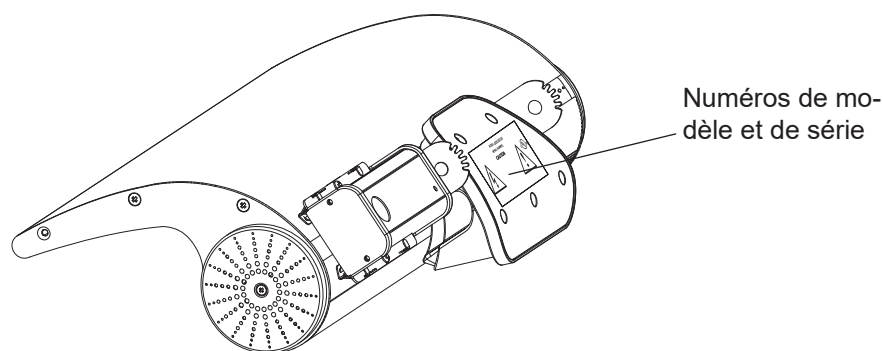
Bienvenue

Merci et félicitations d'avoir acheté un appareil de chauffage infrarouge Dimplex.

Lire ces instructions attentivement et les conserver.

⚠ MISE EN GARDE : Lire attentivement toutes les instructions et tous les avertissements avant de commencer l'installation. Le non-respect de ces instructions pourrait entraîner un risque de décharge électrique ou d'incendie et annuler la garantie.

Prendre en note les numéros de modèle et de série de l'appareil à des fins de consultation ultérieure. Ceux-ci se trouvent sur l'étiquette du numéro de modèle et du numéro de série de l'appareil.



IL N'EST PAS NÉCESSAIRE D'ALLER AU MAGASIN

Des questions à propos de l'utilisation ou du montage? Besoin d'information sur les pièces ?

Besoin d'information à propos d'un produit sous garantie du fabricant ?

Communiquer avec nous à :  www.dimplex.com/customer_support

Pour le dépannage et le Service d'assistance technique

OU  Sans frais au 1 888 346-7539

Afin que nous puissions mieux vous servir, veuillez avoir votre modèle et votre numéro de série à portée de main ou veuillez inscrire votre produit en ligne avant de téléphoner (voir ci-dessus).



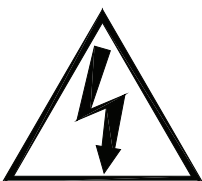
INSTRUCTIONS IMPORTANTES

Lorsqu'un appareil électrique est utilisé, il est important de toujours prendre des précautions de base pour réduire les risques d'incendie, de décharges électriques et de blessures. Il faut notamment appliquer ce qui suit :

- ① Lire toutes les instructions avant d'installer ou d'utiliser cet appareil de chauffage.
- ② Se servir de l'appareil uniquement de la façon décrite dans le présent manuel. Toute autre utilisation non recommandée par le fabricant pourrait causer un incendie, des décharges électriques ou des blessures.
- ③ L'appareil de chauffage devient chaud lorsqu'il est en marche. Pour éviter les brûlures, ne pas laisser la peau nue entrer en contact avec les surfaces chaudes. Garder tout matériel combustible, comme des meubles, des oreillers, de la literie, du papier, des vêtements et des rideaux, à au moins 0,9 mètre (3,0 pieds) du devant de l'appareil. De plus, garder tout matériel combustible à l'écart des côtés et de l'arrière de l'appareil, en respectant les restrictions à cet égard.
- ④ Faire preuve d'une grande prudence lorsque l'appareil est utilisé par des enfants ou des personnes handicapées, ou à proximité de ces derniers, et lorsqu'il est en marche et laissé sans surveillance.
- ⑤ Ne laisser aucun câble, meuble, matériau inflammable ou autre objet entrer en contact avec toute surface de l'appareil.
- ⑥ Ne pas se servir d'un appareil de chauffage si le cordon est endommagé, si l'appareil a présenté une défaillance, ou s'il est tombé ou est endommagé de quelque façon que ce soit. Pour faire vérifier ou réparer l'appareil, ou pour faire effectuer une mise au point mécanique, retourner l'appareil dans un centre de service autorisé.
- ⑦ Pour débrancher l'appareil, couper l'alimentation électrique du circuit de l'appareil à l'interrupteur général principal, de même qu'au tableau de commande principal.
- ⑧ Ne pas introduire ou laisser entrer de corps étrangers dans la prise d'air de ventilation ou la bouche de sortie d'air, car cela peut occasionner des décharges électriques, provoquer un incendie ou endommager l'appareil de chauffage.
- ⑨ Pour éviter un incendie, ne pas obstruer les entrées ou la sortie d'air d'aucune façon.
- ⑩ Tout appareil de chauffage contient des pièces qui chauffent et qui produisent un arc électrique ou des étincelles. Ne pas utiliser dans des endroits où de l'essence, de la peinture ou d'autres liquides inflammables sont utilisés ou entreposés.
- ⑪ Ne pas toucher l'appareil pendant son fonctionnement, car il devient chaud et pourrait causer des brûlures. En présence d'enfants et de personnes vulnérables, une attention particulière doit leur être portée.
- ⑫ Cet appareil n'est pas conçu pour être utilisé par des personnes (y compris des enfants) aux capacités physiques, sensorielles ou mentales réduites, ou par des personnes manquant d'expérience ou de connaissances, à moins qu'elles ne soient supervisées lorsqu'elles utilisent l'appareil ou qu'elles aient reçu des

instructions d'utilisation par une personne responsable de leur sécurité.

- ⑬ L'appareil de chauffage est équipé d'un boîtier de connexions électriques et doit être raccordé en tant qu'installation fixe par un professionnel de l'électricité agréé. Les procédures de câblage et les connexions doivent être conformes au code national de l'électricité ainsi qu'aux codes locaux.
- ⑭ L'appareil de chauffage est équipé d'un boîtier de connexions électriques et doit être raccordé en tant qu'installation fixe par un professionnel de l'électricité agréé. Les procédures de câblage et les connexions doivent être conformes au code national de l'électricité ainsi qu'aux codes locaux.
 - Aux États-Unis, l'installation électrique doit être effectuée conformément au National Electrical Code.
 - Au Canada, l'installation électrique doit être faite conformément aux dispositions de la section 62 de la première partie du Code canadien de l'électricité.
- ⑮ L'appareil de chauffage est conçu pour une utilisation extérieure ou intérieure et ne doit pas être utilisé à d'autres fins. Toute autre utilisation non recommandée par le fabricant pourrait causer un incendie, des décharges électriques ou des blessures.
- ⑯ L'appareil doit être installé à au moins 2,4 mètres (8 pieds) au-dessus du sol. Pour les autres dégagements, se reporter au schéma inclus dans les présentes instructions.
- ⑰ L'appareil n'est pas conçu pour être utilisé dans une salle de bain, une salle de lavage ou dans d'autres pièces intérieures semblables. Ne jamais installer l'appareil à un endroit où il est susceptible de tomber dans une baignoire, dans une piscine, dans un spa ou dans tout autre réservoir d'eau.
- ⑱ Ne pas installer l'appareil directement à proximité d'une baignoire, d'une douche ou d'une piscine. Les interrupteurs et les commandes ne doivent pas être à la portée d'une personne qui se trouve dans une baignoire, une douche ou une piscine.
- ⑲ S'assurer que l'appareil a bien été fixé dans sa position finale avant de le mettre en marche.
- ⑳ L'appareil ne doit jamais être installé face vers le haut ou vers l'intérieur; la surface chauffante doit toujours être positionnée pour diriger la chaleur vers le bas ou vers l'extérieur.
- ㉑ L'appareil ne doit pas être installé juste au-dessous d'une prise de courant. Il ne doit pas non plus être installé devant une prise de courant. L'appareil devrait être installé à l'extérieur de l'espace physique occupé par les prises pour réduire au minimum l'accumulation de chaleur derrière l'appareil.
- ㉒ Il n'y a aucune pièce dont l'entretien peut être effectué par l'utilisateur à l'intérieur de l'appareil. Tout entretien autre que le nettoyage régulier doit être exécuté par un professionnel en entretien et réparation autorisé.
- ㉓ Les changements ou les modifications n'ayant pas fait l'objet d'une approbation expresse de la partie responsable de la conformité auront pour effet d'annuler le droit d'utilisation de l'appareil par l'utilisateur.



MISE EN GARDE
RISQUE DE DÉCHARGE ÉLECTRIQUE
NE PAS OUVRIR
AUCUN ENTRETIEN À FAIRE SUR LES PIÈCES INTÉRIEURES



**CONSERVER CE MANUEL À DES FINS DE
CONSULTATION ULTÉRIEURE**



Spécifications

SPÉCIFICATIONS TECHNIQUES

Numéro de modèle	DSH20W
Tension	240V 60Hz
Commandes	Télécommande avec fonction de minuterie
Puissance	2000 W
Installation	Murale (Support de fixation au plafond et tour vendus séparément)
Dimensions (LxIxH)	596 mm x 326 mm x 154 mm
	23.5 po x 12.8 po x 6.1 po
Class de protection électrique	Classe I
Indice de protection	IP65

Figure 1

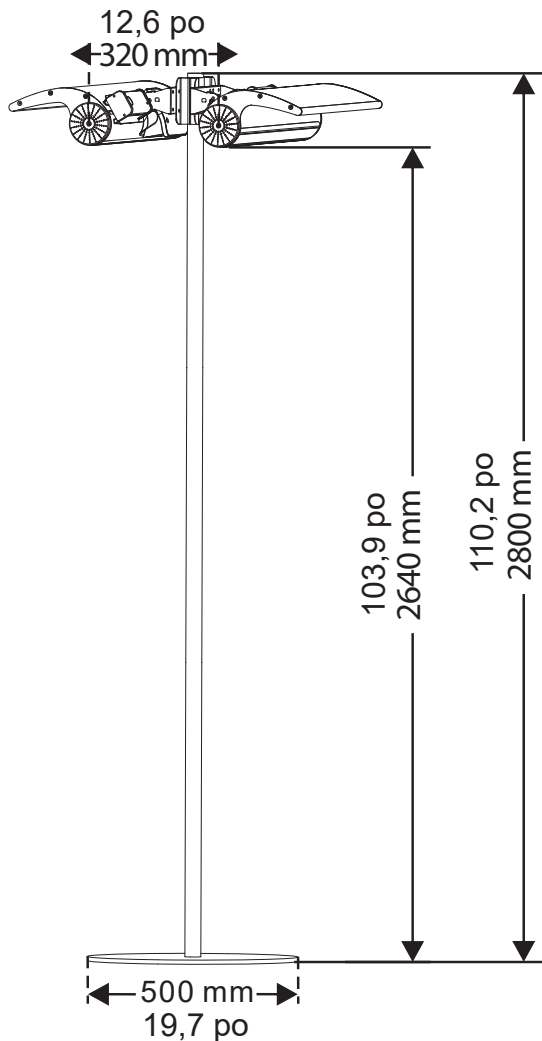
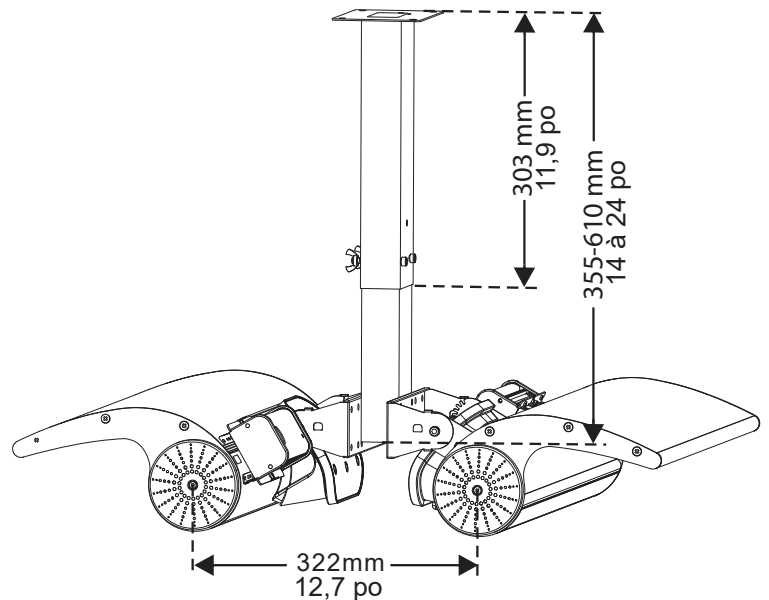


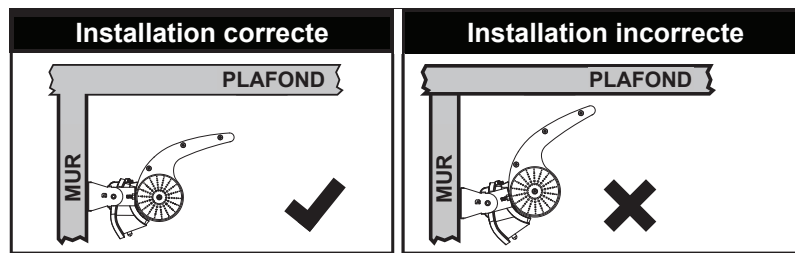
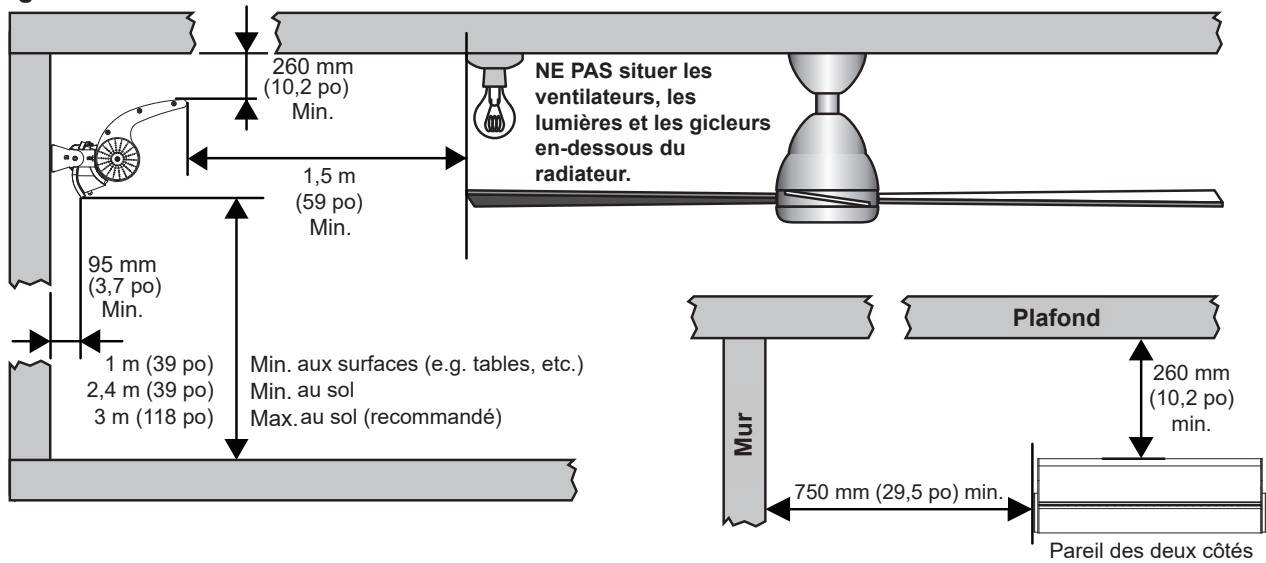
Figure 2



🔑 Choix de l'emplacement

DÉGAGEMENTS MINIMAUX POUR INSTALLATION AU MUR

Figure 3



⚠️ AVERTISSEMENT : Selon le matériau et la conception des éléments de structure du mur, l'appareil doit être installé au moyen de matériel de fixation approprié. Le poids de l'appareil DSH est de 3,75 kg (8,27 lb). L'emplacement choisi pour l'installation ainsi que le matériel de fixation doivent pouvoir supporter 5 fois le poids de l'appareil.

Choix de l'emplacement

DÉGAGEMENTS MINIMAUX POUR INSTALLATION AU PLAFOND

Figure 4

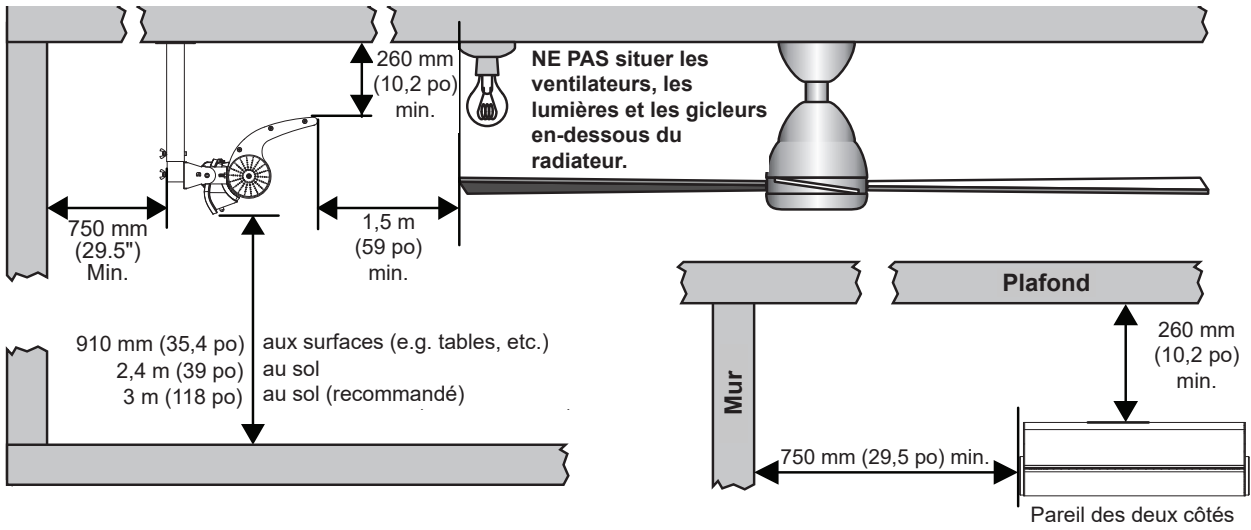


Figure 5

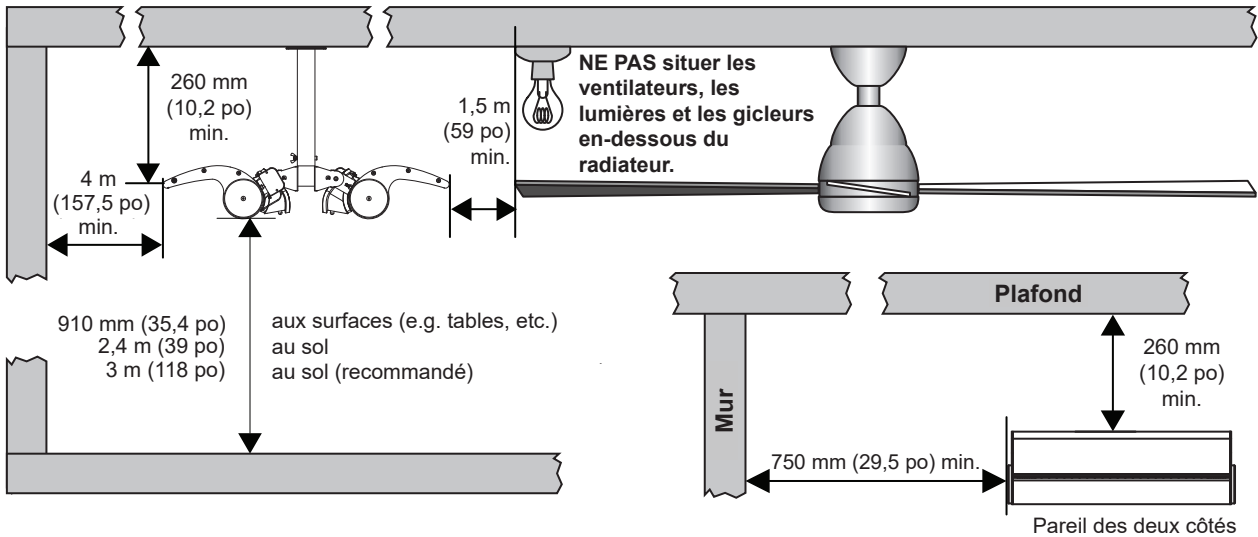
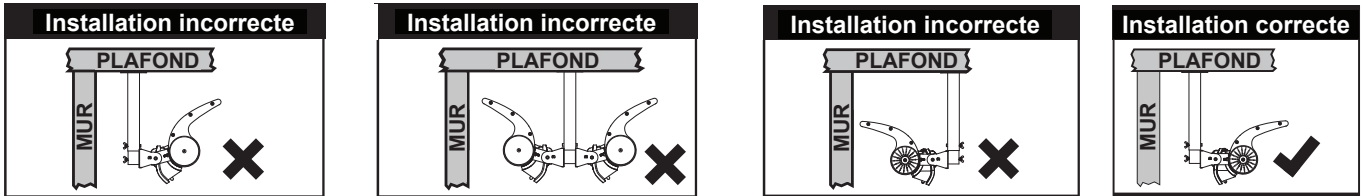


Figure 6



AVERTISSEMENT : Selon le matériau et la conception des éléments de structure du plafond, l'appareil doit être installé au moyen de matériel de fixation approprié. Le poids de chaque appareil DSH est de 3,75 kg (8,27 lb), et le poids du support pour fixation au plafond est de 1,25 kg (2,76 lbs). L'emplacement choisi pour l'installation ainsi que le matériel de fixation doivent pouvoir supporter 5 fois le poids du/des radiateur(s) et du support.

🔑 Choix de l'emplacement

DÉGAGEMENTS MINIMAUX POUR INSTALLATION AVEC LA TOUR

Figure 7

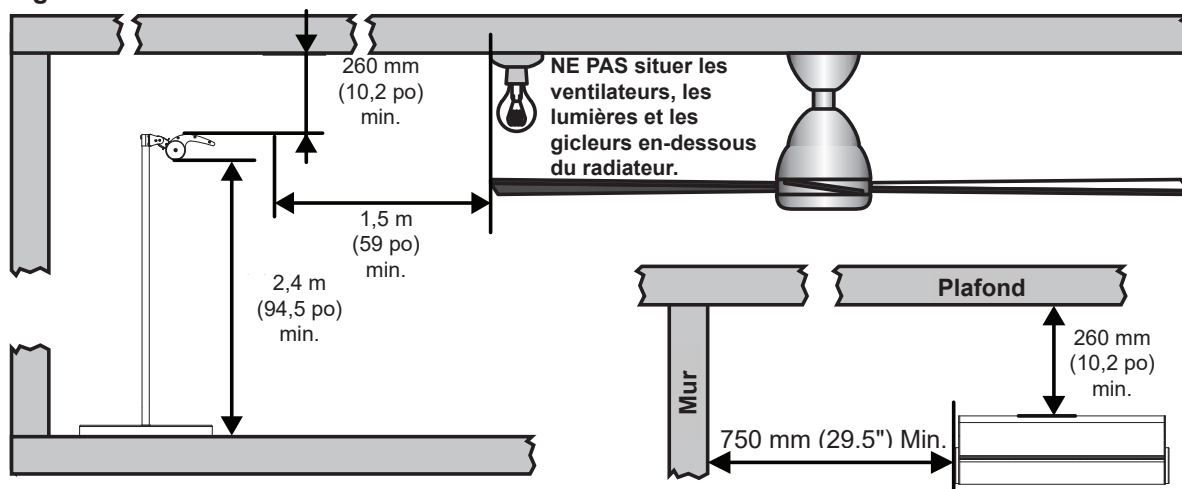


Figure 8

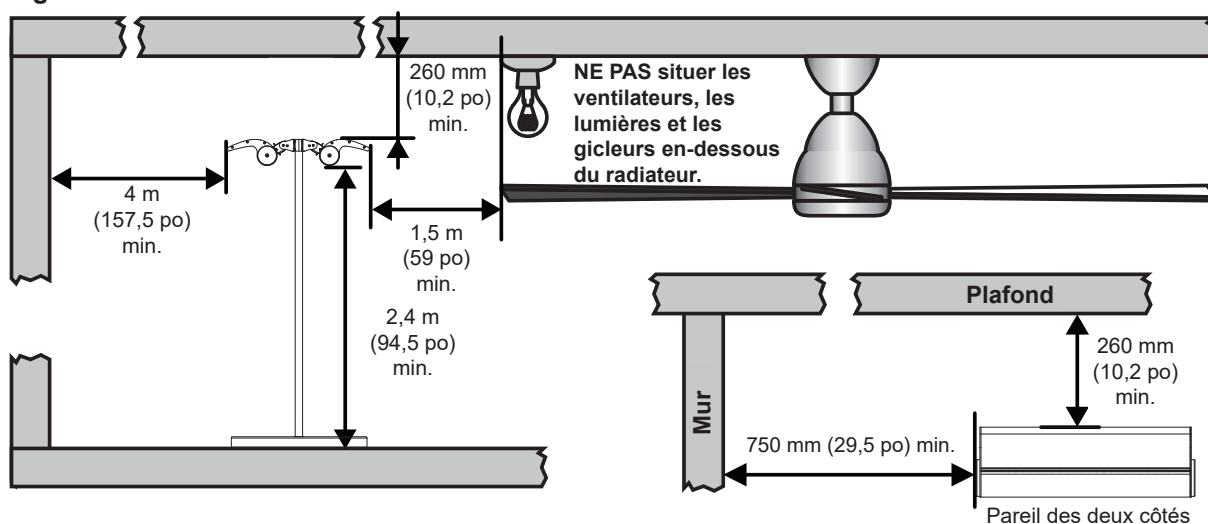
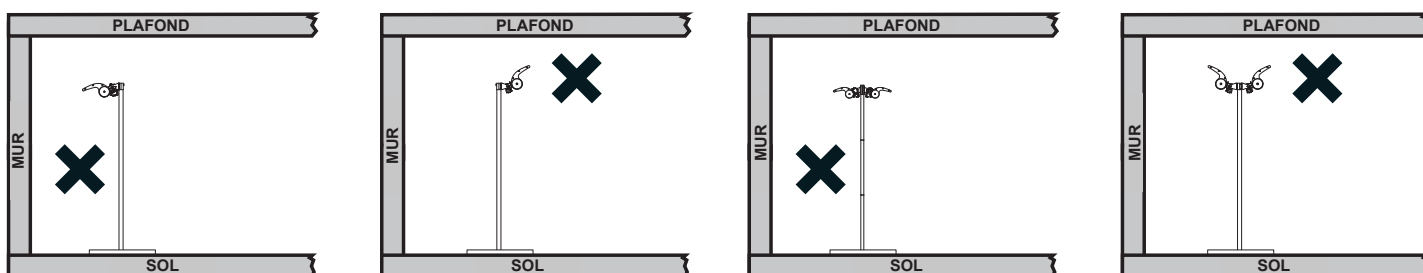


Figure 9



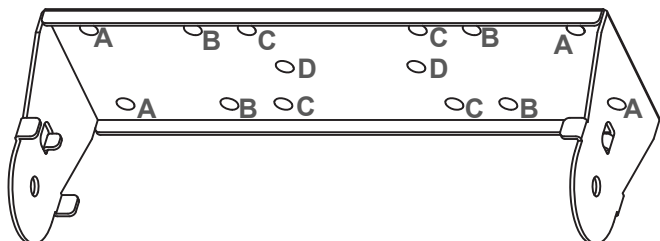


Installation

⚠ AVERTISSEMENT : L'installation de l'appareil de chauffage infrarouge et son raccordement au réseau électrique doivent être effectués uniquement par des professionnels qualifiés conformément aux réglementations sur les installations électriques et aux normes de sécurité des systèmes électriques et doivent être conformes à tous les codes électriques nationaux et locaux.

L'angle réglable du support de fixation en acier inoxydable permet l'installation de l'appareil sur des surfaces horizontales et inclinées.

Figure 9

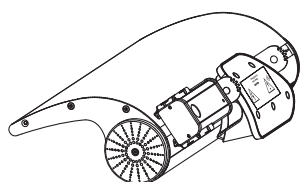


- A: Trous pour installation murale
- B: Trous pour installation de la tour avec deux appareils
- C: Trous pour installation de la tour avec un appareil
- D: Trous pour installation au plafond avec support

1. Ouvrir l'emballage et retirer soigneusement l'appareil.
2. Retirer le matériel d'emballage aux deux extrémités de l'appareil.
3. Se référer aux schémas dans la section *Choix de l'emplacement* pour effectuer une installation sûre. Dans le cas d'une installation murale ou au plafond, choisir l'emplacement de l'appareil en repérant les montants ou les poutres de charpente qui permettront une fixation sûre de l'appareil. S'assurer que tous les dégagements minimums sont respectés.
4. Suivre les consignes d'installation correspondantes à l'application souhaitée :
 - Installation murale : page 10
 - Installation au plafond : page 11
 - Installation de la tour avec un appareil DSH : page 12
 - Installation de la tour avec deux appareils DSH: page 13

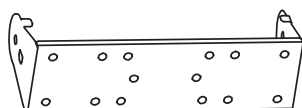
Le matériel suivant est inclus :

Quantity



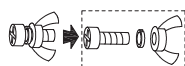
Appareil de chauffage DSH

1



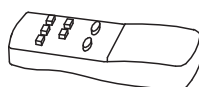
Support de fixation

1



Quincaillerie de fixation
Boulon cruciforme M6 x 16
Rondelle de ressort
Écrou à oreilles

2



Télécommande

1



Batteries AAA

2

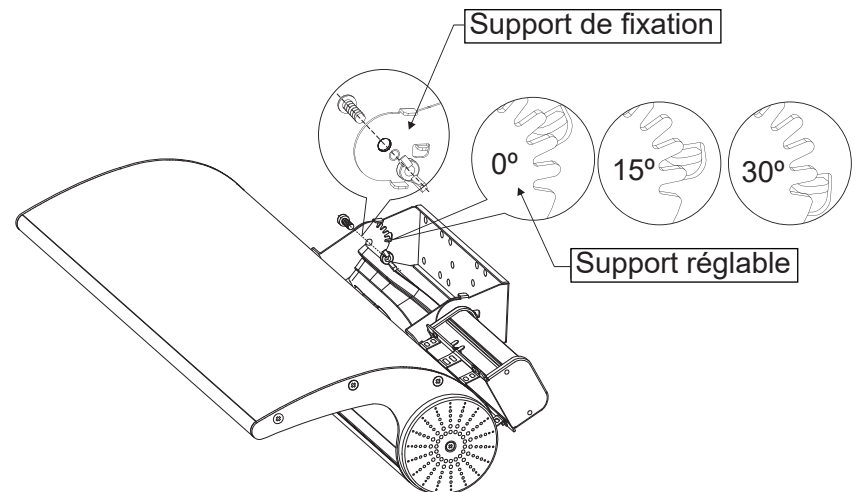


Installation

INSTALLATION MURALE

1. Installer le support de fixation au mur en se servant de quincaillerie convenable pour l'application. Les traverser par les trous désignés par la lettre A à la figure 9.
- ⚠ AVERTISSEMENT :** Selon le matériau et la conception des éléments de structure du mur, l'appareil doit être installé au moyen de matériel de fixation approprié. Le poids de l'appareil DSH est de 3,75 kg (8,27 lb). L'emplacement choisi pour l'installation ainsi que le matériel de fixation doivent pouvoir supporter 5 fois le poids de l'appareil.
2. Installer l'appareil de chauffage sur le support de fixation en plaçant le support réglable à l'angle désiré. Fixer à l'aide d'une clé à molette. (Figure 10)

Figure 10





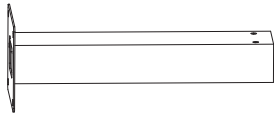


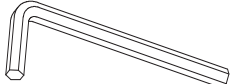
Installation

INSTALLATION AU PLAFOND

Il est obligatoire d'utiliser le support de fixation au plafond DSHCMB (vendu séparément) pour l'installation de l'appareil DSH au plafond. Ce support accessoire permet d'installer un ou deux appareils de chauffage infrarouge au plafond. Ce support peut être installé à l'intérieur ou à l'extérieur.

Les câbles électriques peuvent être dissimulés en les passant à l'intérieur du support. Le poteau télescopique peut être réglé à quatre hauteurs différentes, de 35,5 cm (14 po) à 65 cm (24 po).

Les matériel suivant est inclus :

		Quantity
A	 Support pour plafond	1
B	 Support télescopique	1
C	 Boulon cruciforme M6 x 55, rondelle de ressort et écrou à oreilles	4
D	 Clé hexagonale	1

1. Régler la hauteur du support en insérant le support télescopique dans le support pour plafond et en installant la quincaillerie au niveau désiré. (Figure 11)

! NOTE : La distance minimale entre l'extrémité inférieure du support et le plafond est de 35,5 cm (14 po) et la hauteur maximale est de 65 cm (24 po). Se référer à la section *Choix de l'emplacement* pour assurer que tous les dégagements minimums sont respectés.

2. Installer l'appareil de chauffage sur le support de fixation en plaçant le support réglable à l'angle désiré. Fixer à l'aide d'une clé à molette. (Figure 10)
3. Fixer l'appareil de chauffage et le support de fixation au support de plafond en se servant de la quincaillerie préinstallé au support de plafond. La quincaillerie doit traverser les trous désignés par la lettre D à la figure 9. (Figure 12, Figure 13)
4. Fixer le support au plafond en se servant de matériel de fixation approprié pour l'application (non inclus).

⚠ AVERTISSEMENT : Selon le matériau et la conception des éléments de structure du plafond, l'appareil doit être installé au moyen de matériel de fixation approprié. Le poids de chaque appareil DSH est de 3,75 kg (8,27 lb), et le poids du support pour fixation au plafond est de 1,25 kg (2,76 lbs). L'emplacement choisi pour l'installation ainsi que le matériel de fixation doivent pouvoir supporter 5 fois le poids du/des radiateur(s) et du support.

Figure 11

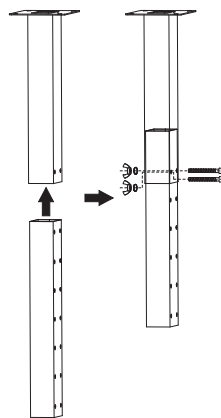
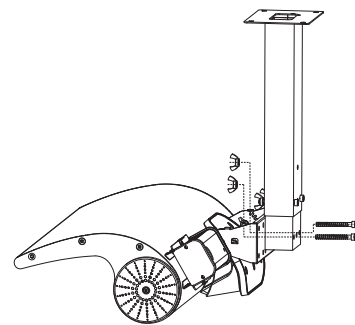
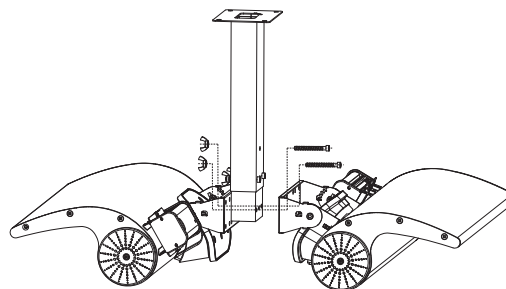


Figure 12



Installation de un radiateur

Figure 13



Installation de deux radiateurs



Installation


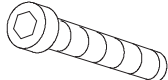
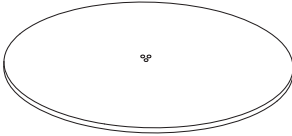


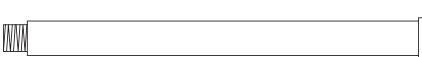
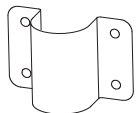
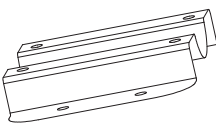
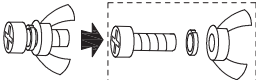
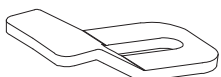
INSTALLATION DE LA TOUR

Le DSHSTAND est une tour accessoire qui permet l'installation de un ou deux appareil(s) de chauffage infrarouge DSH20W. Cette tour peut être installée à l'intérieur ou à l'extérieur.

Si les câbles électriques sont accédés par le bas, ceux-ci peuvent traverser le diamètre interne de la tour. Il est conseillé que cela se fasse lors de la deuxième étape de l'installation, lorsque les poteaux sont réunis. Se référer au codes de l'électricité locaux pour des renseignements sur les câbles requis pour votre installation.

⚠ WARNING: La tour accessoire comprend des plaques de fixations permanente qui fixe la tour en permanence. Ceci aide à prévenir les renversements qui pourraient entraîner des brûlures et des blessures, ainsi que des dommages matériels et à l'appareil de chauffage.

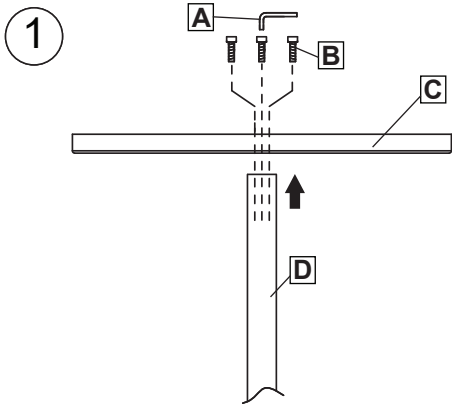
Le matériel suivant est inclus :

			Quantité
A		Clé hexagonale	1
B		Vis à tête hexagonale à calotte M6 x 40	3
C		Base	1
D		Poteau inférieur	1
E		Poteau du milieu	2
F		Poteau inférieur	1
G		Support pour installation simple	1
H		Support pour installation double	2
I		Quincaillerie de fixation Boulon cruciforme M6 x 16 Rondelle de ressort Écrou à oreilles	12
J		Plaque de fixation	3

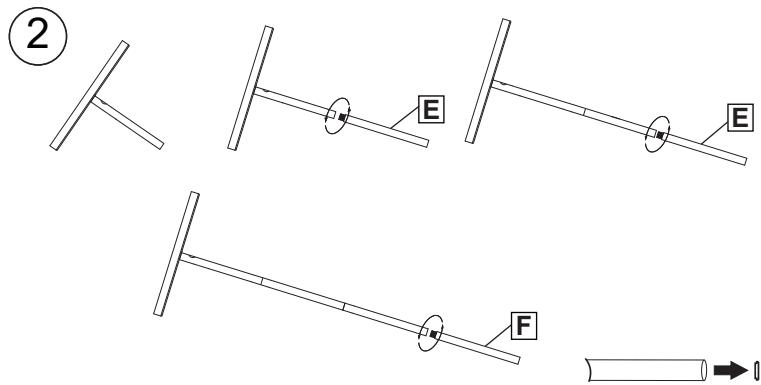


Installation

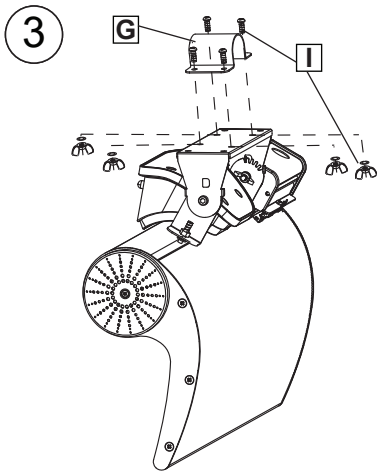
INSTALLATION DE LA TOUR AVEC UN APPAREIL DSH



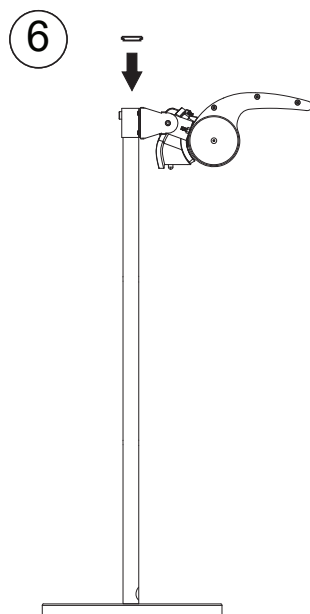
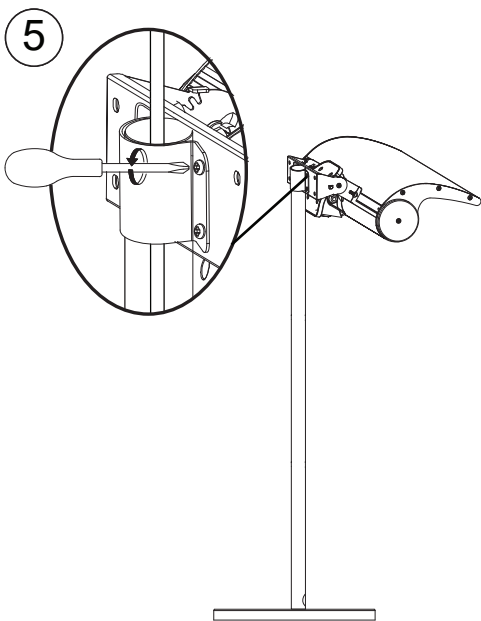
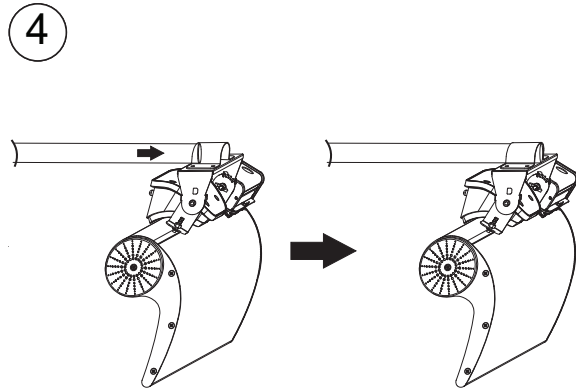
Fixer le poteau inférieur à la base.



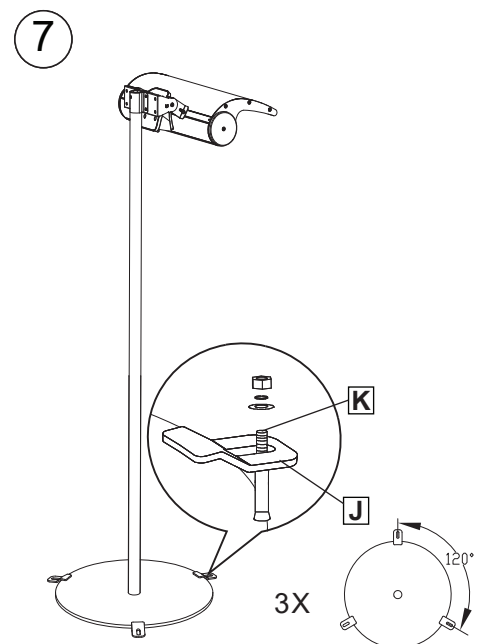
Retirer l'embout de caoutchouc du poteau supérieur.



Fixer le support en se servant des trous désignés par la lettre C à la figure 9.



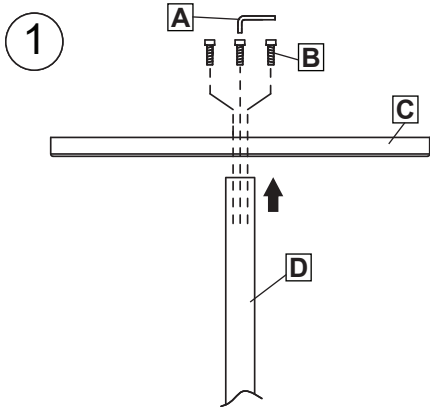
Réinstaller l'embout en caoutchouc et serrer la quincaillerie du support de l'étape précédente.



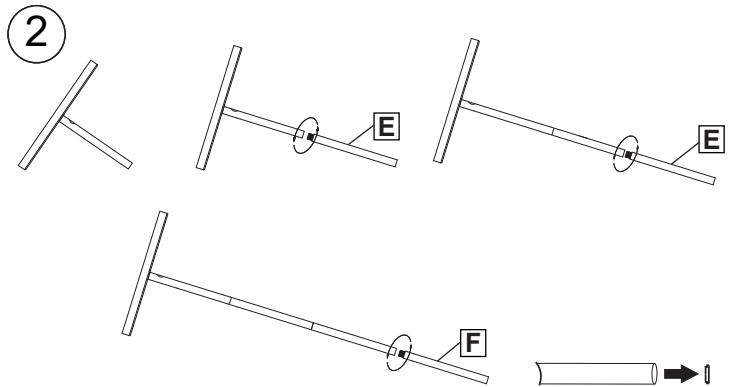


Installation

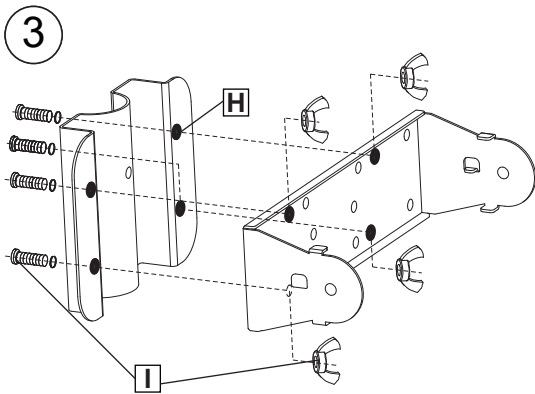
INSTALLATION DE LA TOUR AVEC DEUX APPAREILS DSH



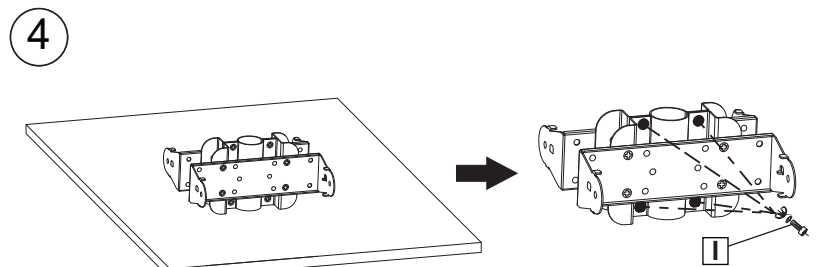
Fixer le poteau inférieur à la base.



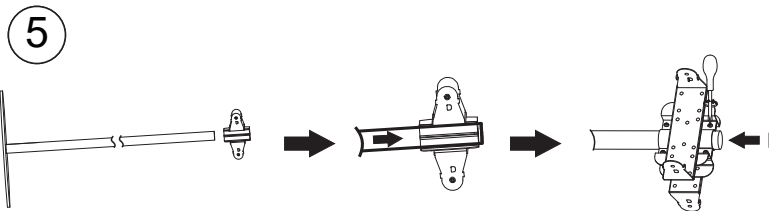
Retirer l'embout de caoutchouc du poteau supérieur.



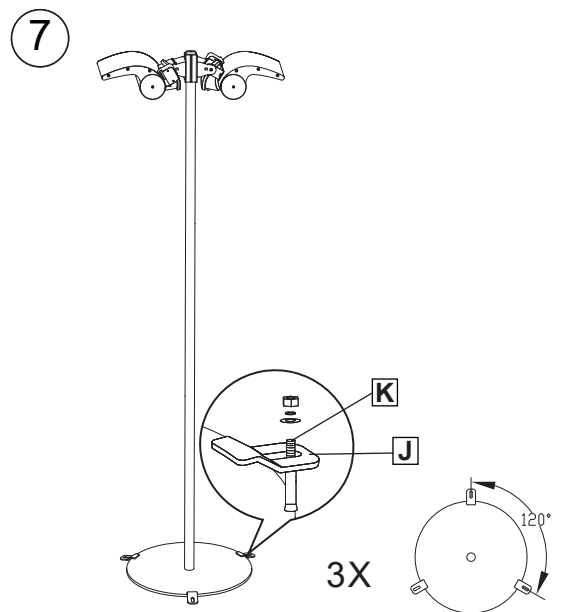
Fixer le support en se servant des trous désignés par la lettre B à la figure 9.



Ne pas trop serrer la quincaillerie à cette étape.



Réinstaller l'embout en caoutchouc et serrer la quincaillerie du support de l'étape précédente.



6 Installer l'appareil de chauffage sur le support de fixation en plaçant le support réglable à l'angle désiré. Fixer à l'aide d'une clé à molette. (Figure 10)



Instructions de raccordement

AVERTISSEMENT

- Cet appareil DOIT être installé et directement raccordé au réseau électrique de façon permanente par un professionnel de l'électricité autorisé/agréé.
- Couper la source d'alimentation électrique avant de manipuler le câblage du circuit pour prévenir les décharges électriques.
- Lors de l'installation à l'extérieur, nous recommandons que l'appareil soit placé à un endroit où il sera protégé des conditions météorologiques extrêmes et des intempéries, telles que la neige et la glace.
- Cet appareil doit être mis à la terre.
- Le raccordement électrique doit avoir une protection contre les fuites à la terre (disjoncteur différentiel de fuite à la terre).
- Un disjoncteur est nécessaire pour que l'installation soit adéquate; ne pas le charger à plus de 80 % de sa capacité.
- Cet appareil est conçu pour raccordement à une source d'alimentation 240V équipée d'un fil de mise à la terre.

1. Vérifier l'étiquette du produit pour s'assurer d'utiliser la bonne tension et la bonne puissance électrique. S'assurer que la source d'alimentation est conforme aux exigences relatives de l'appareil de chauffage.
2. La boîte de raccordement sur le dessus de l'appareil est munie d'un couvercle d'accès latéral avec joint d'étanchéité. L'entrée de la boîte de raccordement est percée et filetée pour recevoir un raccord de conduit standard étanche de 19 mm (1/2 po). L'électricien installateur devra fournir le conduit rigide métallique, flexible ou étanche aux liquides approprié et les bons raccords de conduit pour le lieu d'installation.
3. Pour l'installation extérieure, tous les raccordements doivent être effectués conformément aux réglementations du code électrique local relatives au câblage extérieur. N'utiliser que des composants de câblage approuvés pour l'utilisation extérieure avec un boîtier NEMA de type 4x ou l'équivalent.
4. Retirer les vis qui tiennent en place le couvercle de la boîte de raccordement. Effectuer les raccordements électriques au moyen de capuchons de connexion (non fournis). Le fil vert se connecte au fil de terre de la source d'alimentation. Le fil noir se raccorde au L1 (sous tension) de la source d'alimentation. Le fil blanc se raccorde au L2 (sous tension) de la source d'alimentation.
5. Assembler le couvercle et le joint de la boîte de raccordement. S'assurer que le joint du couvercle de la boîte de raccordement (fourni avec l'appareil) est installé pour maintenir l'indice de protection contre l'infiltration d'eau de pluie de l'appareil. Une installation incorrecte annulera la garantie du fabricant.

Figure 14

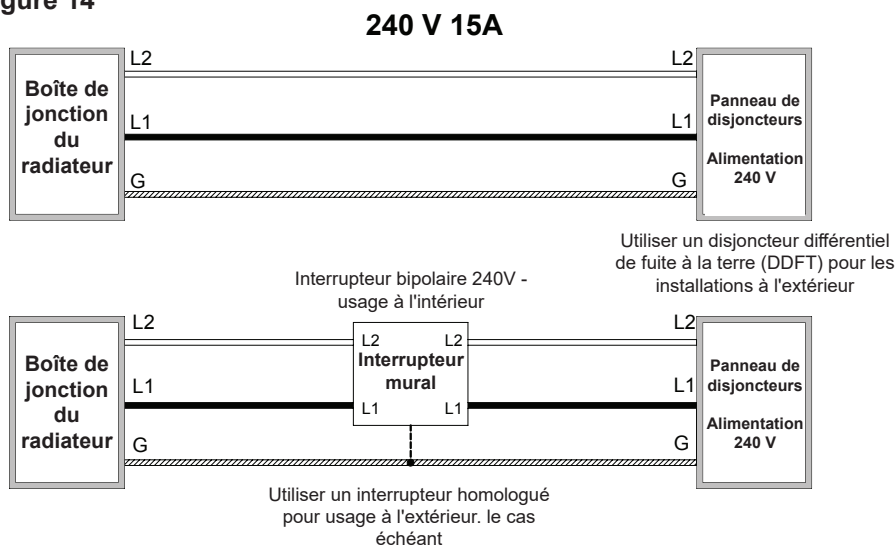
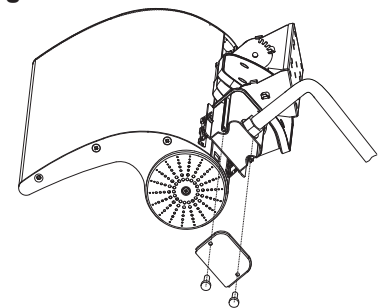
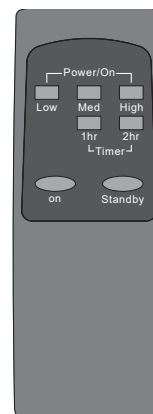
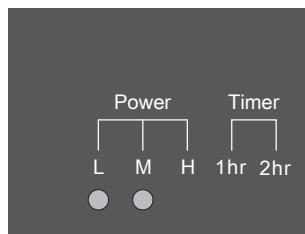
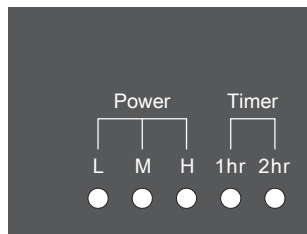


Figure 15



Utilisation

AVERTISSEMENT : Cet appareil doit être installé correctement avant son utilisation. De légers craquements peuvent être entendus pendant la période de chauffage ou de refroidissement. Il est normal d'entendre ces craquements pendant le fonctionnement de l'appareil.



1. Mettre le disjoncteur en position de marche; l'appareil se mettra en mode Veille. Le voyant DEL indiquant le réglage de puissance le plus bas clignotera pour indiquer que l'appareil est en mode Veille.
2. Pointer la télécommande directement vers le récepteur, puis appuyer sur « LOW » (faible), « MED » (moyen) ou « HIGH » (élevé) pour régler la puissance souhaitée. Les voyants DEL rouges sur l'affichage s'illumineront pour afficher le niveau de puissance. Un voyant rouge indique que l'appareil est réglé à faible intensité, deux voyants rouges indique que l'appareil est réglé à moyenne intensité et trois voyants rouges indique que l'appareil est réglé à haute intensité.

NOTE : La distance entre l'appareil et la télécommande doit être inférieure à 3 m (9,8 pi) et la télécommande doit être dirigée directement vers le récepteur situé sur le panneau avant pendant le fonctionnement.

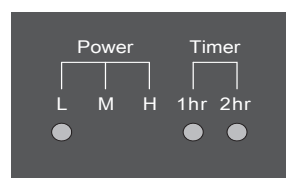
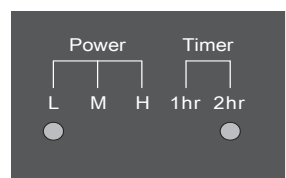
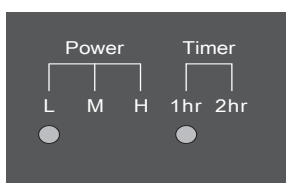
NOTE : Lorsque le bouton ON est appuyé pour mettre l'appareil en marche, l'appareil démarrera au réglage de puissance élevé.

3. Pour mettre l'appareil en mode Veille, pointer la télécommande directement vers le récepteur et appuyer sur « standby » (veille). À ce moment, le voyant DEL indiquant le réglage de température le plus bas clignote pour indiquer que l'appareil est en mode Veille.

NOTE : Une fonction de sécurité intégrée déclenche automatiquement le mode veille après huit heures de fonctionnement continu de l'appareil. À ce moment, le voyant DEL indiquant le réglage de température la plus basse clignote pour indiquer que la fonction de sécurité s'est activée.

FONCTION DE MINUTERIE

Votre appareil de chauffage Dimplex est équipé d'une minuterie programmable qui met automatiquement l'appareil en mode Veille après 1, 2 ou 3 heures de fonctionnement. Une fois l'appareil en mode Veille, u seul voyant DEL rouge clignotera.



1. Pour faire fonctionner la minuterie, diriger la télécommande directement vers le récepteur. Pour régler la minuterie afin que l'appareil fonctionne pendant 1 heure, appuyer « 1 hr » sur la télécommande. Un seul voyant DEL vert s'allumera sur l'affichage de l'appareil sous l'indicateur « 1 hr » pour indiquer que la minuterie est en marche.
2. Pour régler la minuterie afin que l'appareil fonctionne pendant 2 heures, appuyer « 2 hr » sur la télécommande. Un seul voyant DEL vert s'allumera sur l'affichage de l'appareil sous l'indicateur « 2 hr ».
3. Pour régler la minuterie afin que l'appareil fonctionne pendant 3 heures, appuyer « 1 hr » et « 2 hr » sur la télécommande. Les deux voyants DEL verts s'allumeront sur l'affichage.

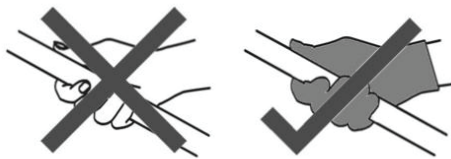
RISQUE DE DÉCHARGES ÉLECTRIQUES

- Cet appareil fonctionne à une tension pouvant causer la mort. S'assurer de couper l'alimentation électrique au niveau du disjoncteur avant de tenter de faire un quelconque entretien.

RISQUE DE BLESSURE ET DE BRÛLURE

- Ne pas tenter de nettoyer ou de réparer le radiateur lorsqu'il est en marche, car cela comporte des risques de décharges électriques et de blessures en raison de l'élément chauffant. Pour éviter les brûlures ou les blessures, attendre au moins 6 heures afin que l'appareil refroidisse avant d'effectuer le nettoyage ou le service.
- L'entretien et les réparations doivent être exécutés par les personnes qualifiées seulement.

⚠ MISE EN GARDE : Ne pas manipuler l'ampoule halogène à mains nues. Si elle est touchée par inadvertance, retirer les marques de doigts avec un chiffon doux et de l'alcool méthylique ou de l'alcool à friction. Sinon, les marques brûleront dans l'émetteur à quartz pendant l'utilisation, ce qui entraînera une défaillance prématurée de l'appareil de chauffage.



- Il est nécessaire de vérifier périodiquement (une fois par an) les contacts des câbles électriques et les bornes de raccordement pour s'assurer que le serrage est bon.
- Avant de nettoyer l'appareil, le panneau de disjoncteurs doit être mis hors tension et l'appareil de chauffage doit être froid au toucher pour éviter les blessures.
- Si le boîtier de l'appareil devient sale, essuyer la poussière avec une serviette. Les panneaux chauffants doivent être essuyés à froid avec un chiffon doux et humide. Il est recommandé de nettoyer l'appareil tous les 3 mois pour obtenir un rendement optimal.

⚠ AVERTISSEMENT : Ne jamais immerger l'appareil dans l'eau! Cela pourrait causer des dommages, des blessures ou la mort.

Installation des piles

1. Appuyer sur la butée située sur le couvercle du compartiment à piles (à l'arrière de la télécommande) et retirer ce couvercle.
2. Installer deux piles AAA dans la télécommande (fournies).
3. Replacer le couvercle du compartiment.



La batterie doit être recyclée ou éliminée de façon appropriée. Vérifiez auprès de votre municipalité ou votre revendeur pour obtenir des conseils dans votre région.



Dépannage

Actions de dépannage à effectuer avant d'appeler un technicien en entretien et en réparation :

SYMPTÔME	ACTION RECOMMANDÉE
L'appareil ne chauffe pas. / Il n'y a aucun voyant de fonctionnement DEL	S'assurer que l'appareil est bien branché au réseau électrique et qu'il est bien sous tension.
L'appareil émet une odeur lors de la première utilisation.	Ce phénomène est causé par l'huile ou la poussière laissée pendant le processus de fabrication et s'arrêtera après une courte période.
L'appareil émet une faible odeur pendant de courtes périodes après la mise en marche de l'appareil.	Ce phénomène est normal et devrait cesser après une courte période.
L'appareil émet une odeur lorsqu'on le met en marche après une certaine période d'inutilisation.	Ce phénomène est causé par des débris et de la poussière accumulés dans l'appareil. Éteindre l'appareil et le laisser refroidir, puis le nettoyer avant de le réutiliser.
On entend des bruits de cliquetis lors de la mise en marche et de la fermeture de l'appareil.	Il s'agit de bruits d'expansion et de contraction des composants métalliques de l'appareil et constitue un phénomène normal lié à l'appareil.
Le chauffage ne fonctionne pas bien.	L'exposition à des conditions ambiantes extrêmes comme des vents forts ou des températures excessivement froides peut réduire le rendement de chauffage en cas d'installation extérieure.
	L'appareil n'est pas installé dans la bonne position (peut-être trop haut), ou est trop petit par rapport à l'aire recommandée.

Quand communiquer avec un technicien en entretien et en réparation ou avec le détaillant :

SYMPTÔME	ACTION RECOMMANDÉE
Il y a une odeur de brûlé ou des sons étranges (autres que les bruits d'expansion et de contraction normaux) provenant de l'appareil.	Éteindre l'appareil et communiquer avec le détaillant.
Le disjoncteur associé (de sécurité, de mise à la terre) se déclenche ou un fusible est grillé.	Éteindre l'appareil et communiquer avec le détaillant ou un technicien en électricité agréé.
Le chauffage ne fonctionne pas bien.	Installation de taille incorrecte; communiquer avec le détaillant pour obtenir de plus amples renseignements.
Le chauffage ne fonctionne pas bien.	Élément chauffant défectueux; éteindre l'appareil et communiquer avec le détaillant.
L'appareil ne chauffe pas. / Il n'y a aucun voyant de fonctionnement.	S'assurer que l'appareil est bien branché au réseau électrique et qu'il est bien sous tension. S'il est toujours défectueux, éteindre l'appareil et communiquer avec le détaillant ou un technicien en électricité agréé.

Garantie limitée d'un an

Produits couverts par la présente garantie limitée

La présente garantie limitée couvre votre nouvel appareil de chauffage infrarouge intérieur/extérieur de Dimplex. La présente garantie limitée ne s'applique qu'aux achats effectués dans l'une des provinces du Canada, à l'exception du Yukon, du Nunavut et des Territoires du Nord-Ouest, ou dans l'un des 50 États américains (incluant le district fédéral de Columbia), à l'exception d'Hawaï et de l'Alaska. La présente garantie limitée est valable seulement pour l'acheteur original du produit et ne peut être transférée.

Produits non couverts par la présente garantie limitée

Les ampoules électriques ne sont pas couvertes par cette garantie limitée et sont la responsabilité exclusive du propriétaire/acheteur. Les produits achetés au Yukon, au Nunavut, dans les Territoires du Nord-Ouest, à Hawaï ou en Alaska ne sont pas couverts par la présente garantie limitée. Les produits achetés dans ces États, provinces ou territoires sont vendus TELS QUELS sans aucune garantie ni condition (y compris, notamment, toute garantie ou condition implicite de qualité marchande ou de convenance à un usage particulier), et l'acheteur doit assumer tous les risques relatifs à la qualité et au rendement des produits. En cas de défectuosité, tous les frais d'entretien et de réparation incombent à l'acheteur.

Couverture et durée de la présente garantie limitée

Les produits couverts par la présente garantie limitée ont été testés et inspectés avant l'envoi. Conformément aux dispositions de la présente garantie, Glen Dimplex Americas Ltd. (appelée « Glen Dimplex Americas » aux présentes) garantit que ces produits sont exempts de tout vice de matériau et de fabrication pour une période de 12 mois à partir de la date d'achat desdits produits.

La garantie limitée de 12 mois s'applique également à toute garantie implicite pouvant exister en vertu des lois en vigueur. Certains territoires ne permettent pas la restriction de la durée d'une garantie implicite; il est donc possible que la restriction ci-dessus ne s'applique pas à l'acheteur.

Exclusions de la présente garantie limitée

La présente garantie limitée ne couvre pas les produits qui ont été réparés (sauf par Glen Dimplex Americas ou ses représentants de service autorisés) ou autrement modifiés. Elle ne couvre pas non plus les défectuosités résultant d'un mauvais usage, d'un usage abusif, d'un accident, de négligence, d'une mauvaise installation, d'une manipulation ou d'un entretien inadéquat, ou de l'utilisation avec une source de courant inadéquate.

Ce qu'il faut faire pour se prévaloir du service dans le cadre de la présente garantie limitée

Les défectuosités doivent être signalées au service technique au 1 888 346-7539. Au moment d'appeler, avoir à portée de la main une preuve d'achat, ainsi que les numéros de catalogue/modèle et de série du produit. Il est nécessaire d'avoir une preuve d'achat du produit pour se prévaloir du service dans le cadre de la garantie limitée.

Ce que fera Glen Dimplex Americas en cas de défectuosité

S'il s'avère qu'une pièce ou un produit couvert par cette garantie limitée présente effectivement un vice de matériau ou de fabrication pendant la garantie limitée de 12 mois, vous aurez alors les droits suivants :

- Glen Dimplex Americas pourra, à sa seule discrétion, réparer ou remplacer sans frais la pièce ou le produit défectueux. Si Glen Dimplex Americas est incapable de réparer ou de remplacer la pièce ou le produit, ou si la réparation ou le remplacement n'est pas commercialement possible, ou ne peut être fait rapidement, Glen Dimplex Americas pourra, au lieu d'effectuer la réparation ou le remplacement, décider de rembourser le prix d'achat de la pièce ou du produit.
- Le service sous garantie limitée sera dispensé uniquement par des dépositaires ou agents de service de Glen Dimplex Americas autorisés à dispenser des services sous garantie limitée.
- L'acheteur sera responsable de tous les frais engagés pour le retrait du produit ou de la pièce et le transport aller-retour de ceux-ci (et de tout produit ou de toute pièce réparé/de rechange) à l'établissement du dépositaire ou de l'agent de service autorisé.
- Cette garantie limitée ne donne pas droit à des services sous garantie sur place ou à domicile à l'acheteur. Des services sur place ou à domicile sont offerts à la demande expresse et aux frais de l'acheteur, au tarif en vigueur que facture Glen Dimplex Americas pour ces services.
- Glen Dimplex Americas n'est pas responsable des frais encourus pour l'installation ou le retrait du produit ou de la pièce (ou de tout produit ou de toute pièce de rechange) ni des frais de main-d'œuvre et de transport, et la présente garantie limitée ne les couvre pas non plus. Ces frais sont la responsabilité de l'acheteur.

Application des lois provinciales et d'État

Cette garantie limitée confère à l'acheteur des droits juridiques précis, et il se peut que l'acheteur ait d'autres droits qui varient d'un territoire à un autre. Les dispositions de la Convention des Nations Unies sur les contrats de vente de marchandises ne s'appliquent pas à cette garantie limitée ou à la vente de produits couverts par cette garantie limitée.

Autres exclusions à la responsabilité de Glen Dimplex Americas et de ses dépositaires et agents de service :

GLEN DIMPLEX AMERICAS, SES ADMINISTRATEURS, SES GESTIONNAIRES OU SES AGENTS NE POURRONT EN AUCUN CAS ÊTRE TENUS RESPONSABLES ENVERS L'ACHETEUR OU TOUTE AUTRE TIERCE PARTIE, EN VERTU D'UN CONTRAT, DU DROIT DE LA RESPONSABILITÉ DÉLICTUELLE OU SUR TOUTE AUTRE BASE, DE COÛTS, DE PERTES OU DE DOMMAGES INDIRECTS, SPÉCIAUX, PUNITIFS, EXEMPLAIRES OU ACCESSOIRES DÉCOULANT DIRECTEMENT OU INDIRECTEMENT DE LA VENTE, DE L'ENTRETIEN, DE L'UTILISATION OU DE L'INCAPACITÉ D'UTILISATION DU PRODUIT,

MÊME SI GLEN DIMPLEX AMERICAS, SES ADMINISTRATEURS, SES GESTIONNAIRES OU SES AGENTS ONT ÉTÉ INFORMÉS DE LA POSSIBILITÉ DE TELS COÛTS, PERTES OU DOMMAGES, OU SI LESDITS COÛTS, PERTES OU DOMMAGES SONT PRÉVISIBLES. GLEN DIMPLEX AMERICAS, SES GESTIONNAIRES, SES ADMINISTRATEURS OU SES AGENTS NE POURRONT EN AUCUN CAS ÊTRE TENUS RESPONSABLES DE COÛTS, DE PERTES OU DE DOMMAGES DIRECTS QUI DÉPASSENT LE PRIX D'ACHAT DU PRODUIT.

CERTAINS TERRITOIRES NE PERMETTENT PAS L'APPLICATION D'EXCLUSIONS OU DE LIMITATIONS AUX DOMMAGES INDIRECTS OU ACCESSOIRES. IL SE POURRAIT DONC QUE LES EXCLUSIONS ET LIMITATIONS CI-DESSUS NE S'APPLIQUENT PAS À L'ACHETEUR.



Service d'assistance technique

Vous trouverez du soutien technique et des instructions de dépannage, ainsi qu'une liste de pièces de rechange à

www.dimplex.com/customer_support

1 888 346-7539 | www.dimplex.com

Dans le cadre de notre politique d'amélioration continue de nos produits, nous nous réservons le droit de modifier les spécifications sans préavis.

© 2019 Glen Dimplex Americas

Glen Dimplex 
AMERICAS
Améliorer les moments qui comptent le plus dans la vie