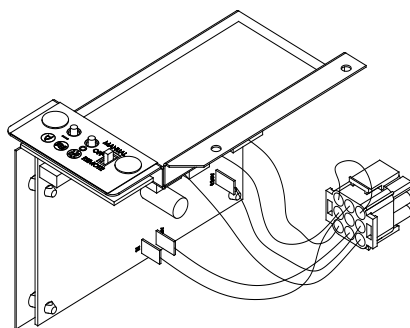




Better solutions through innovation

## Installation Guide Optional Remote Control



Model Numbers:  
BFRC-KIT  
BFRC-KIT-OP







---

**IMPORTANT SAFETY INFORMATION:** Always read this manual first before attempting to install. For your safety, always comply with all warnings and safety instructions contained in this manual to prevent personal injury or property damage.

To view the full line of Dimplex products, please visit  
[www.dimplex.com](http://www.dimplex.com)



# Table of Contents

-  **Welcome & Congratulations . . . . . 3**
-  **IMPORTANT INSTRUCTIONS . . . . . 4**
-  **Remote Kit Installation . . . . . 5**
  - Installation Set Up . . . . . 5**
  - Install Remote Control Receiver . . . . . 6**
  - Remote Control Initialization/Reprogramming . . . . . 7**
-  **Operation . . . . . 7**
  - Remote Control Usage . . . . . 8**
-  **Maintenance . . . . . 9**
  - Battery Replacement . . . . . 9**
-  **Warranty . . . . . 9**

Always use a qualified technician or service agency to repair this fireplace.

**! NOTE:** Procedures and techniques that are considered important enough to emphasize.

**! CAUTION:** Procedures and techniques which, if not carefully followed, will result in damage to the equipment.

**! WARNING:** Procedures and techniques which, if not carefully followed, will expose the user to the risk of fire, serious injury, or death.

## **Welcome & Congratulations**

Thank you and congratulations for choosing to purchase an electric fireplace from Dimplex, the world leader in electric fireplaces.

**Please carefully read and save these instructions.**

**⚠ CAUTION:** Read all instructions and warnings carefully before starting installation. Failure to follow these instructions may result in a possible electric shock, fire hazard and will void the warranty.



**NO NEED TO RETURN TO THE STORE**

Questions with operation or assembly? Require Parts Information?  
Product Under Manufacturer's Warranty?

**Contact us at:**



**[www.dimplex.com/customer\\_support](http://www.dimplex.com/customer_support)**

For Troubleshooting and Technical Support

**OR**



**Toll-Free 1-888-DIMPLEX (1-888-346-7539)**

Monday to Friday 8:00 a.m. to 4:30 p.m. EST



## **IMPORTANT INSTRUCTIONS**

- ① Read all instructions before using this appliance.
- ② Any repairs to this appliance should be carried out by a qualified service person.
- ③ Under no circumstances should this appliance be modified. Parts having to be removed for servicing must be replaced prior to operating this fireplace again.
- ④ Do not use outdoors.
- ⑤ Use this appliance only as described in this manual. Any other use not recommended by the manufacturer may cause fire, electric shock or injury to persons.

## **SAVE THESE INSTRUCTIONS**

# Remote Kit Installation

## Installation Set Up

1. Open steel curtain (remove glass doors if applicable).
2. Remove two screws on log grate and remove log grate. (FIGURE 1)
3. Pull front edge of plastic ember bed grate up and forward until rear tab releases from the ledge located at the bottom of the mirror. (FIGURE 2)

**! NOTE:** Log set fits tightly into firebox, some force may be necessary to remove.

4. Locate and remove the two screws on the removable bracket. Remove the bracket. (FIGURE 3)
5. Locate and depress the mounting tabs on the plug connector to remove the 'dummy plug'. (FIGURE 3)

**! NOTE:** Keep the 'dummy plug' in a safe place. You will need it if you decide to uninstall the remote control to operate the fireplace manually.

FIGURE 1

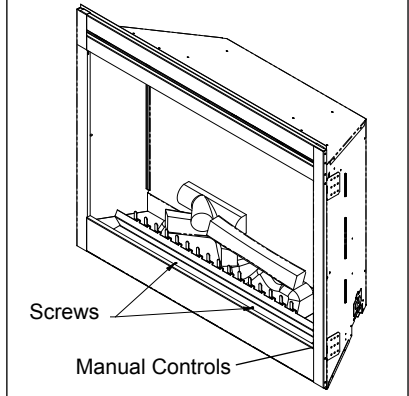


FIGURE 2

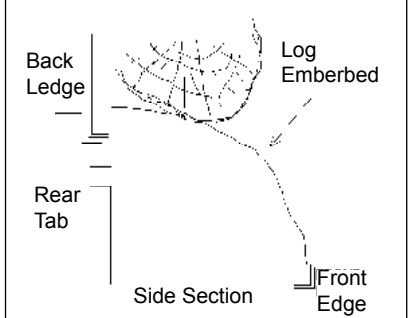
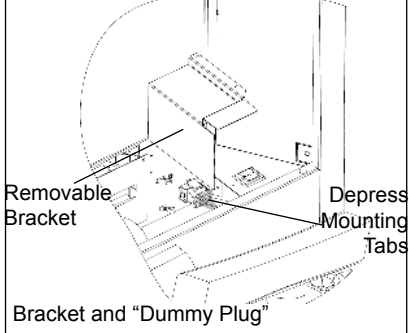


FIGURE 3

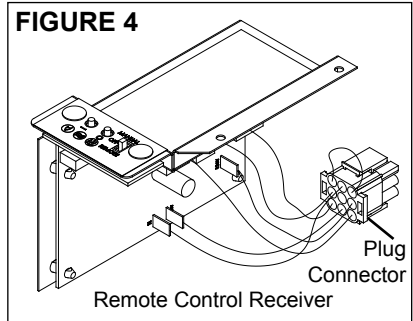


## Remote Kit Installation

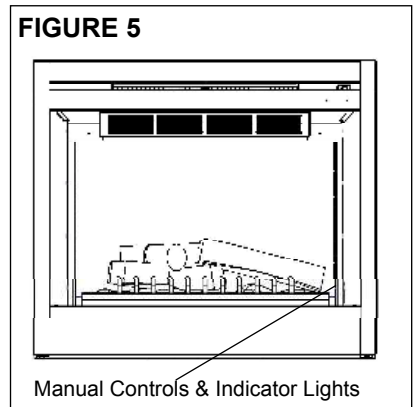
### Install Remote Control Receiver

1. Locate and insert the plug connector on the remote control bracket into plug connector on the fireplace. (FIGURE 4)
2. Place antenna under remote bracket.
3. Locate and install the two screws on the remote control bracket.
4. Replace the log by inserting front edge and pushing the back down until rear tab snaps under back ledge (FIGURE 2) and the logs are resting against mirror.
5. Replace log grate using two screws previously removed.

**FIGURE 4**



**FIGURE 5**




## Operation

### Remote Control

The remote control has a range of approximately 50ft. (15.25m). It does not have to be pointed at the fireplace and can pass through most obstacles (including walls). It is supplied with one of 2, 187 independent frequencies, in the factory, to prevent interference with other units.

### Remote Control Initialization/ Reprogramming

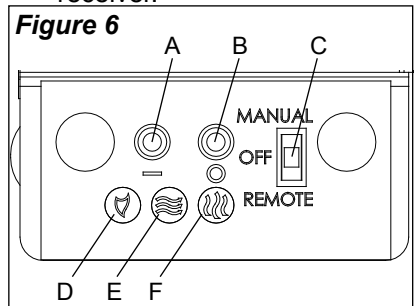
Follow these steps for remote control initialization and if required, re-initialization:

1. Ensure that power is supplied through main service panel.
2. Access the manual controls, (remove the glass doors if applicable) pull the right hand steel curtain to the outside of the unit. (FIGURE 5)
3. Locate manual controls.
4. Move the 3-way switch to "Remote".
5. Activate the main power switch, the red Level 1 Indicator Light will flash . (Figure 6-D)
6. Press and hold the On button on the manual controls

(Figure 6-A) for five (5) seconds. The Level 1

Indicator Light  (Figure 6-D) will then flash for 10 seconds.

7. **Within** the 10 seconds press the ON button located on the remote control transmitter. (Figure 7) This will synchronize the remote control transmitter and receiver.



## 🔑 Operation

### Remote Control Usage

The remote control operation can be adjusted, depending on the season and desired effects, by toggling the main mode selector switch built into the fireplace. The position of the switch will dictate the available functions that the remote transmitter will cycle through.

#### A. On Button

Pressing this button toggles sequentially through the three levels of the fireplace.

- Mode Selector Set at “O”: Only Flame Effect at all 3 levels.
- Mode Selector Set at “--”: Pressing once activates Level 1 - flame effect only, two and three times activates Level 2 - flame effect and Purifire™.
- Mode Selector Set at “=”: Pressing once activates Level 1 - flame effect only, twice activates Level 2 - flame effect and Purifire™, three times activates Level 3 - flame effect, Purifire™ and heat.

#### B. Off Button

Pressing this button at any time will shut the unit off.

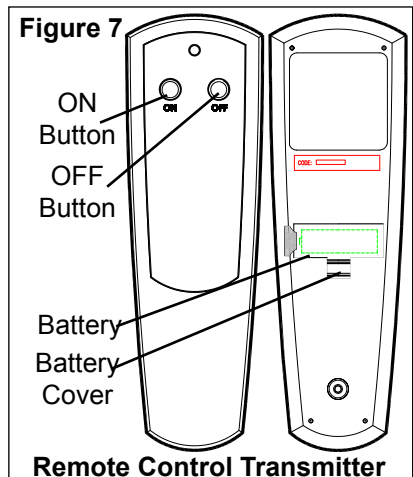
### C. Manual Selection Switch

Switches the operation of the fireplace between the different modes of the fireplace:

- OFF (center): Makes the unit inoperable.
- MANUAL (top): All functions of the fireplace are controlled by the On and Off buttons as described above (A, B).
- REMOTE (bottom): All functions of the fireplace are controlled by the Remote Control.

### D. LED Indicators

Depicts which of the three (3) levels the fireplace is currently operating at: Level 1 - 🔥, Level 2 - 🔥🔥 or Level 3 - 🔥🔥🔥.







## Maintenance

### Battery Replacement

(Figure 7)

To replace the battery:

- Slide battery cover open on the hand held transmitter.
- Correctly install one (1) 12 Volt (A23) battery in the battery holder.
- Close the battery cover.



## Warranty

All Dimplex accessories are warranted against defects in workmanship and materials for two years from date of sale. This warranty does not apply to damage from accident, misuse, or alteration, nor where the connected voltage is more than 5 % above the nameplate voltage, nor to equipment improperly installed or wired or maintained in violation of the instruction sheet. This limited warranty applies only to purchases made in any province of Canada except for Yukon Territory, Nunavut, or Northwest Territories or in any of the 50 States of the USA (and the District of Columbia) except for Hawaii and Alaska. This limited warranty applies to the original purchaser of the product only and is not transferable. No other written or oral warranty applies. No employee, agent, dealer or other person is authorized to give any warranties on behalf of Dimplex. The customer shall

be responsible for all costs incurred in the removal or reinstallation and shipping of the product for repairs. Within the limitations of this warranty, inoperative units shall be returned to the nearest Dimplex authorized service center, and we shall repair or replace, at our option, at no charge to you with return freight paid by Dimplex. It is agreed that such repair or replacement is the exclusive remedy available from Dimplex and that DIMPLEX IS NOT RESPONSIBLE FOR DAMAGES OF ANY KIND, INCLUDING INCIDENTAL AND CONSEQUENTIAL DAMAGE. Some States do not allow the exclusion or limitation of consequential damages, so the above exclusion or limitation may not apply to you. This warranty gives you specific legal rights and you may also have other rights which vary from state to state.



**Dimplex North America Limited**  
1367 Industrial Road  
Cambridge ON  
Canada N1R 7G8

© 2011 Dimplex North America Limited