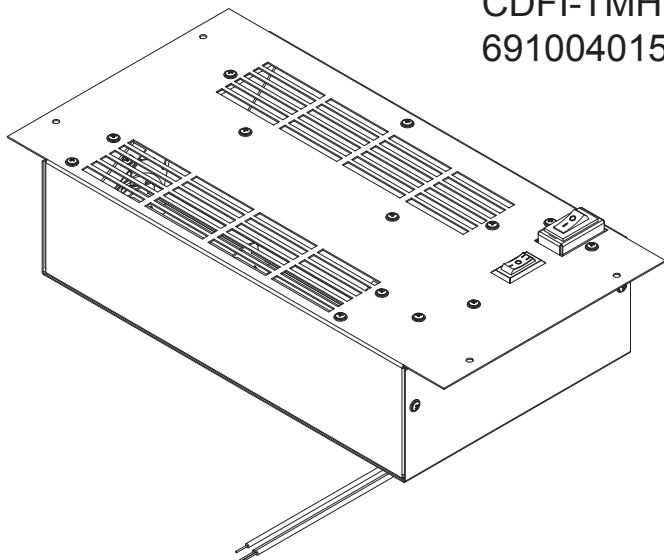




## Owner's Manual

Model  
CDFI-TMHEAT  
6910040159



---








**IMPORTANT SAFETY INFORMATION:** Always read this manual first before attempting to install or use this heater. For your safety, always comply with all warnings and safety instructions contained in this manual to prevent personal injury or property damage.

To view the full line of Dimplex products, please visit  
[www.dimplex.com](http://www.dimplex.com)

7215510100R00



## Table of Contents

 Welcome & Congratulations . . . . .	3
 IMPORTANT INSTRUCTIONS . . . . .	4
 Heater Installation . . . . .	6
 Operation . . . . .	13
 Maintenance . . . . .	14
 Technical Support . . . . .	14
 Warranty . . . . .	15

Always use a qualified technician or service agency to repair this heater.

**! NOTE:** Procedures and techniques that are considered important enough to emphasize.

**⚠ CAUTION:** Procedures and techniques which, if not carefully followed, will result in damage to the equipment.

**⚡ WARNING:** Procedures and techniques which, if not carefully followed, will expose the user to the risk of fire, serious injury, or death.

## Welcome & Congratulations

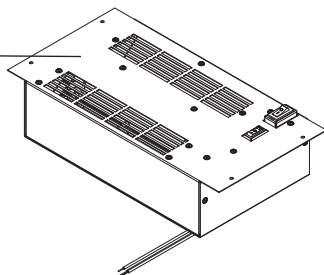
Thank you and congratulations for choosing to purchase a Dimplex electric heater.

**Please carefully read and save these instructions.**

**⚠ CAUTION:** Read all instructions and warnings carefully before starting installation. Failure to follow these instructions may result in a possible electric shock, fire hazard and will void the warranty.


Please record your model and serial numbers below for future reference: model and serial numbers can be found on the Model and Serial Number Label of your heater.


MODEL	<input type="text"/>	MOD.	<input type="text"/>
MODÈLE / MODELO			
SERIAL No.	<input type="text"/>	<input type="text"/>	<input type="text"/>
NUMÉRO DE SÉRIE / NÚMERO DE SÉRIE			



**NO NEED TO RETURN TO THE STORE**


Questions with operation or assembly? Require Parts Information?  
Product Under Manufacturer's Warranty?

Contact us at:  [www.dimplex.com/customer\\_support](http://www.dimplex.com/customer_support)  
For Troubleshooting and Technical Support

**OR**  **Toll-Free 1-888-DIMPLEX (1-888-346-7539)**  
Monday to Friday 8:00 a.m. to 4:30 p.m. EST  
Please have your model number and  
product serial number ready. (See above)

# IMPORTANT INSTRUCTIONS

When using electrical appliances, basic precautions should always be followed to reduce the risk of fire, electric shock, and injury to persons, including the following:

- ① Read all instructions before using the heater.
- ② The heater is hot when in use. To avoid burns, do not let bare skin touch hot surfaces. The surface around the heater outlet becomes hot during heater operation.  
** DANGER:** High temperatures may be generated under certain abnormal conditions. Do not partially or fully cover or obstruct the front of this heater.
- ③ Extreme caution is necessary when any heater is used by or near children or invalids and whenever the unit is left operating and unattended.
- ④ Always disconnect the heater when not in use.
- ⑤ Do not operate any heater after it malfunctions. Disconnect power at the service panel and have the heater inspected by a reputable electrician before reusing.

- ⑥ Do not operate any unit with a damaged cord or if the heater has malfunctioned, or if the heater has been dropped or damaged in any manner, contact Technical Service at 1-888-346-7539.
- ⑦ Do not use outdoors.
- ⑧ Never locate heater over a bathtub or other water container.
- ⑨ To disconnect the unit, turn the controls OFF, disconnect power at the service panel.
- ⑩ Do not insert or allow foreign objects to enter any ventilation or exhaust opening as this may cause an electric shock or fire, or damage to the heater.
- ⑪ To prevent a possible fire, do not block air intake or exhaust in any manner.
- ⑫ All electrical heaters have hot and arcing or sparking parts inside. Do not use in areas where gasoline, paint, or flammable liquids are used or stored.
- ⑬ Do not modify the heater. Use it only as described in this manual. Any other use

# IMPORTANT INSTRUCTIONS

not recommended by the manufacturer may cause fire, electric shock or injury to persons.

⑭ Always use a certified electrician should new circuits or outlets be required.

⑮ Always use properly grounded, fused and polarized outlets.

⑯ Disconnect all power supply before performing any cleaning, maintenance or relocation of the unit.

⑰ When transporting or storing the unit, keep in a dry place, free from excessive vibration and store so as to avoid damage.

**! NOTE:** Changes or modifications not expressly approved by the party responsible for compliance could void user's authority to operate the equipment.

## **For Bathroom Use**

If this unit is installed in a bathroom it must be protected by a GFI receptacle or circuit. If receptacle is used it must be readily accessible.

To prevent electrical shock this unit is an electrical appliance that is not watertight and must be installed as to prevent water from entering unit. This must be installed away from showers, tubs, etc. Never locate heater where it may fall into a bathtub or other water container.



**CAUTION**  
RISK OF ELECTRIC SHOCK  
DO NOT OPEN  
NO USER-SERVICABLE PARTS INSIDE



# SAVE THESE INSTRUCTIONS

## Heater Installation

**⚠ WARNING:** ANY INSTALLATION AND SERVICE WORK SHOULD BE PERFORMED BY QUALIFIED AND AUTHORIZED PERSONNEL. ALL INSTALLATIONS MUST COMPLY WITH ALL LOCAL CODES AND BY-LAWS, INSPECTED AND APPROVED FOR OPERATION BY LOCAL GOVERNING AUTHORITY PRIOR TO USE.

**⚠ WARNING:** Construction and electrical outlet wiring must comply with local building codes and other applicable regulations to reduce the risk of fire, electric shock and injury to persons.

**! NOTE:** A 15 Amp, 120 Volt circuit is required. A dedicated circuit is preferred but not essential in all cases. A dedicated circuit will be required if, after installation, the circuit breaker trips or fuse blows on a regular basis when the heater is operating. Additional appliances on the same circuit may exceed the current rating of the circuit breaker.

### Hardwire Installation

The heater is supplied in an assembled state and is designed to be permanently installed. The unit comes ready for hardwire installation.

**⚠ WARNING:** Do not attempt to wire your own new outlets or circuits. To reduce the risk of fire, electric shock or injury to persons, always use a licensed electrician.

**! NOTE:** Please read all instructions before installing.

1. For rough in framing, the opening should follow the recommended dimensions located in Figure 2.

**! NOTE:** Dimensions provided are minimum clearances and will vary depending on type of support framing and finishing options.

**! NOTE:** Framing should be constructed to support 10 lbs (4.5 kg).

**⚠ WARNING:** To reduce the risk of fire, do not store or use gasoline or other flammable vapors or liquids in the vicinity of the heater.

## Heater Installation

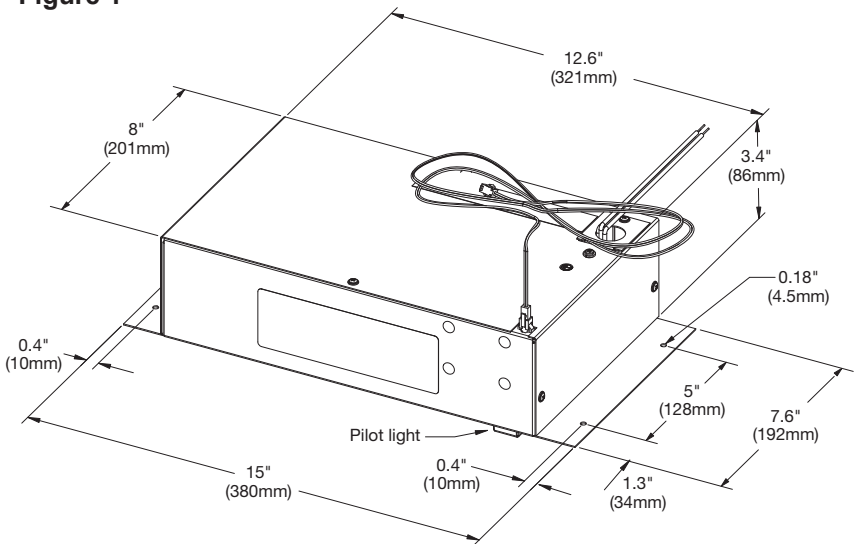
2. Allow at least 2 ft. (61 cm) of service cable for connecting the power supply wire.

**⚠ CAUTION:** Keep min 6" clearance to the adjacent walls and min 18" clearance to the floor.

**! NOTE:** Use minimum 14 AWG supply cable with two insulated copper conductors (white and black) and one bare ground wire.

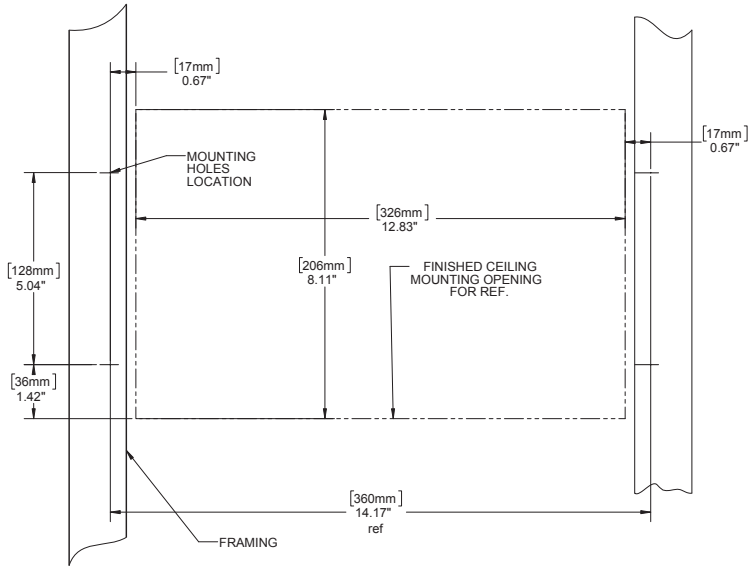
**! NOTE:** The heater only exhausts from one direction. Note this direction, see figure 7.

Figure 1



# Heater Installation

Figure 2



## Installation Options

The heater can be installed on its own or with an Opti-myst cassette.

The unit needs to be installed so that the heater outlet is horizontal to the ground. The **required opening dimensions** for the heater are: 12.8" (326 mm) x 8.1" (206 mm) x 3.5" (89 mm) deep.

**! NOTE:** The heater does not require any additional venting.

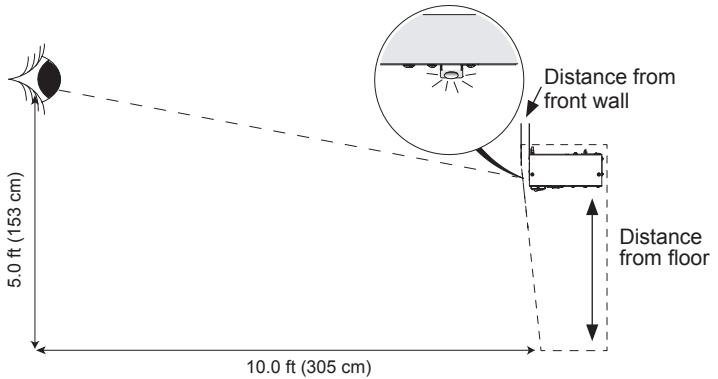
**! NOTE:** Install the heater so that the pilot light can be seen 5 ft (153 cm) from the floor and 10 ft (305 cm) from the unit. (Figure 3)

Example:	
Distance from floor	Distance from front wall
54"	6"
36"	2"

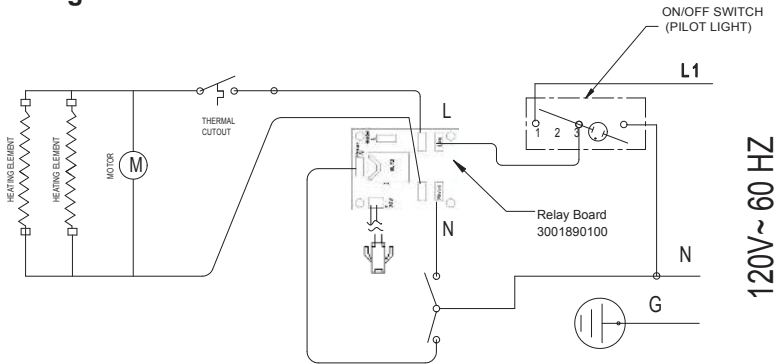


# Heater Installation

Figure 3

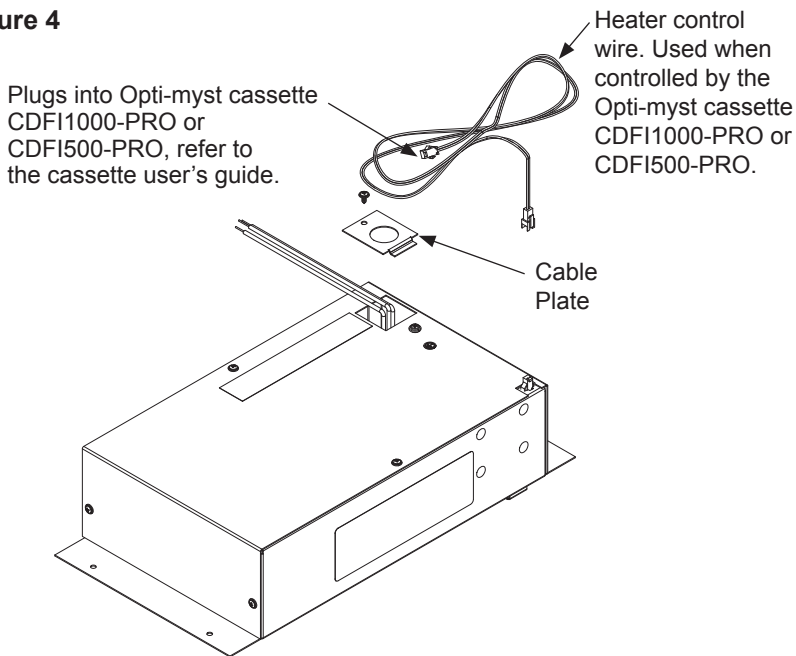


## Wiring



## Heater Installation

**Figure 4**



**⚠ CAUTION:** Use two conductor, non-metallic sheath cable with ground wire (3 wires total) for the incoming power supply. Use appropriate wire to meet local and national electrical codes for rated power.

1. On the back of the unit, remove the cable clamp by removing the screw at the top (Figure 4).
2. Install a 3/8" (10 mm) or 1/2 in. (13 mm) cable connector, not included, suitable for mounting in a 7/8" (22 mm) hole, to the cable plate and feed the supply cable through the connector and secure.
3. Remove the 3 wires from within the unit.
4. Connect the black wire (live) from the unit to the black wire from power supply.

## Heater Installation

5. Connect the white wire (neutral) from the unit to the white wire from power supply.
6. Connect the green wire (ground) from the unit to the bare wire from the power supply.
7. Place all connectors inside the unit and secure the cable plate to unit. Ensure that the cable clamp grips only the jacket of service cable.

**! NOTE:** There is an access panel at the back of the heater where the wiring can be accessed for electrical inspection without disturbing the strain relief connector of the service cable.

**! CAUTION:** When inserting the unit take care not to damage or pinch any of the power cables that are concealed in the ceiling.

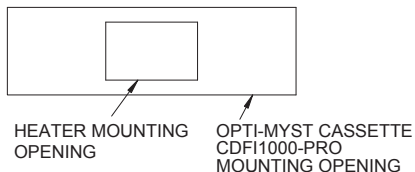
**! WARNING:** Ensure the power wiring is not installed so that it is pinched or against a sharp edge to reduce the risk of fire, electric shock or injury to persons.

8. Place unit into the finished opening. Using the provided screws, fasten the unit to the joists through the flanges.

### Installation with Opti-myst Cassette

Follow the installation instructions provided with the Opti-myst Cassette. Use additional sheathed cable to bring the power supply from the heater connection to the Opti-myst cassette or the other way around. (Figure 6).

**Figure 5**

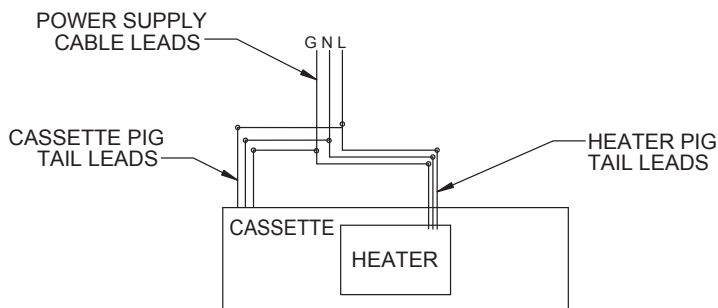


Center the heater above the Opti-myst cassette for optimum flame performance. (Figure 5). Keep minimum 18" distance between the heater and cassette top, if you choose to use logs with the cassette increase the distance by min 5". Keep min 6" clearance from the adjacent walls.

Place all connections inside the appropriate terminal boxes and secure the cable clamps to the units (cassette and heater) making sure that the cable clamps grips only the jacket of the service cables.

## Heater Installation

Figure 6



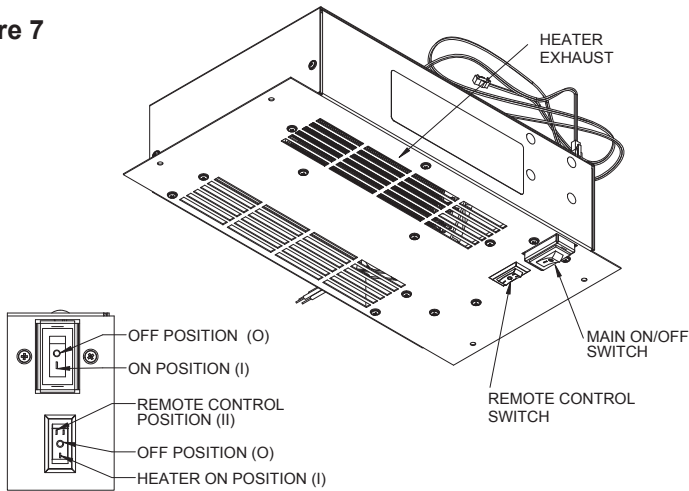
**⚠ CAUTION:** Ensure the wire connectors are securely tightened, so no bare wires (live or neutral) are exposed.

Connect the 2 pin connector to the 2 pin connector from the Opti-myst cassette heater control wire harness.

**⚠ WARNING:** Disconnect power before attempting any maintenance or cleaning to reduce the risk of fire, electric shock or damage to persons.

## Operation

Figure 7



**⚠ WARNING:** This electric heater must be properly installed before it is used.

The On/Off switch supplies power to the heater. When the switch is in the 'I' position, the unit is On, and will be indicated by the red light. When the switch is in the 'O' position, the unit is Off.

When connected into a Dimplex Optimyst Cassette the heater can be controlled by remote control.

Refer to the cassette user's guide.

## Resetting the Temperature Cutoff Switch

Should the heater overheat, an automatic switch will turn the heater off and it will not come back on without being reset. The temperature cutoff switch can be reset by unplugging the unit, waiting 5 minutes and plugging the unit back in.

**⚠ CAUTION:** If you need to continuously reset the heater, unplug the unit and call Glen Dimplex Americas at 1-888-346-7539 for technical support. Please have your model and serial number ready when calling.



## Maintenance

**⚠ WARNING:** Disconnect power before attempting any maintenance or cleaning to reduce the risk of fire, electric shock or damage to persons.

**! NOTE:** The heater should not be operated with an accumulation of dust or dirt on or in the unit, as this can cause a build up of heat and eventual damage. For this reason the heater must be inspected regularly, depending upon conditions and at least at yearly intervals.

### Heater Surface Cleaning

Use a cloth dampened with warm water only to clean painted surfaces of the electric heater. Do not use abrasive cleaners.

Use a vacuum cleaner to clean out dust that may have accumulated in the vents.



## Technical Support

Technical and troubleshooting support, as well as a list of replacement parts can be found on

**[www.dimplex.com/customer\\_support](http://www.dimplex.com/customer_support)**



## Warranty

### 2 YEAR LIMITED WARRANTY

*Products to which this limited warranty applies*

This limited warranty applies to your newly purchased Dimplex heater. This limited warranty applies only to purchases made in any province of Canada except for Yukon Territory, Nunavut, or Northwest Territories or in any of the 50 States of the USA (and the District of Columbia) except for Hawaii and Alaska. This limited warranty applies to the original purchaser of the Product only and is not transferable.

*Products excluded from this limited warranty*

Products purchased in Yukon Territory, Nunavut, Northwest Territories, Hawaii, or Alaska are not covered by this limited warranty. Products purchased in these States, provinces, or territories are sold AS IS without warranty or condition of any kind (including, without limitation, any implied warranties or conditions of merchantability or fitness for a particular purpose) and the entire risk of as to the quality and performance of the products is with the purchaser, and in the event of a defect the purchaser assumes the entire cost of all necessary servicing or repair.

*What this limited warranty covers and for how long*

Products covered by this limited warranty have been tested and inspected prior to shipment and, subject to the provisions of this warranty, Glen Dimplex Americas Ltd. (herein called Glen Dimplex Americas) warrants such products to be free from defects in material and workmanship in respect of the heater components of the Product for a period of 24 months from the date of the first purchase of the Product.

This limited warranty period also applies to any implied warranties that may exist under applicable law. Some jurisdictions

do not allow limitations on how long an implied warranty lasts, so the above limitation may not apply to the purchaser.

*What this limited warranty does not cover*

This limited warranty does not apply to Products that have been repaired (except by Glen Dimplex Americas or its authorized service representatives) or otherwise altered. This limited warranty does further not apply to defects resulting from misuse, abuse, accident, neglect, incorrect installation, improper maintenance or handling, operation with an incorrect power source, fire or other circumstance outside of Glen Dimplex Americas's control including, without limitation, an Act of God.

*What you must do to get service under this limited warranty*

Defects must be brought to the attention of Glen Dimplex Americas Technical Service by contacting 1-888-346-7539). Please have proof of purchase, catalogue/model and serial numbers available when calling. Limited warranty service requires a proof of purchase of the Product.

*What Glen Dimplex Americas will do in the event of a defect*

In the event the Product or part covered by this limited warranty is proven to be defective in material or workmanship during, in the Two Year Warranty period, as applicable, you have the following rights:

- Glen Dimplex Americas will in its sole discretion either repair or replace such defective Product or part without charge. If Glen Dimplex Americas is unable to repair or replace the Product or part, or if repair or replacement is not commercially practicable or cannot be timely made, Glen Dimplex Americas may, in lieu of repair or replacement, choose to refund the purchase price for the Product or part.

## Warranty

- Limited warranty service will be performed solely by dealers or service agents of Glen Dimplex Americas authorized to provide limited warranty services.
- For products other than surrounds (mantels) and trims, this 2 year limited warranty entitles the purchaser to on-site or in-home warranty services. Accordingly, Glen Dimplex Americas will be responsible for all labour and transportation associated with repairing or replacing the product or part except as follows: (i) charges which may be levied for travel costs incurred to travel to the purchaser's site where the product is located if the purchaser's site is beyond 30 miles (48 km) from the closest service depot of Glen Dimplex Americas dealer or service agent; and (ii) the purchaser is solely responsible for providing clear access to all serviceable parts of the product.
- Glen Dimplex Americas will not be responsible for, and the limited warranty services shall not include, any expense incurred for installation or removal of the Product or part (or any replacement Product or part) or any labour or transportation costs. Such costs shall be the purchaser's responsibility.

*What Glen Dimplex Americas and its dealers and service agents are also not responsible for:*

IN NO EVENT WILL GLEN DIMPLEX AMERICAS, OR ITS DIRECTORS, OFFICERS, OR AGENTS, BE LIABLE TO THE PURCHASER OR ANY THIRD PARTY, WHETHER IN CONTRACT, IN TORT, OR ON ANY OTHER BASIS, FOR ANY INDIRECT, SPECIAL, PUNITIVE,

EXEMPLARY, CONSEQUENTIAL, OR INCIDENTAL LOSS, COST, OR DAMAGE ARISING OUT OF OR IN CONNECTION WITH THE SALE, MAINTENANCE, USE, OR INABILITY TO USE THE PRODUCT, EVEN IF GLEN DIMPLEX AMERICAS OR ITS DIRECTORS, OFFICERS, OR AGENTS HAVE BEEN ADVISED OF THE POSSIBILITY OF SUCH LOSSES, COSTS OR DAMAGES, OR IF SUCH LOSSES, COSTS, OR DAMAGES ARE FORESEEABLE. IN NO EVENT WILL GLEN DIMPLEX AMERICAS, OR ITS OFFICERS, DIRECTORS, OR AGENTS BE LIABLE FOR ANY DIRECT LOSSES, COSTS, OR DAMAGES THAT EXCEED THE PURCHASE PRICE OF THE PRODUCT.

SOME JURISDICTIONS DO NOT ALLOW THE EXCLUSION OR LIMITATION OF INCIDENTAL OR CONSEQUENTIAL DAMAGES, SO THE ABOVE LIMITATION OR EXCLUSION MAY NOT APPLY TO THE PURCHASER.

### *How State and Provincial law apply*

This limited warranty gives you specific legal rights, and you may also have other rights which vary from jurisdiction to jurisdiction. The provisions of the United Nations Convention on Contracts for the Sale of Goods shall not apply to this limited warranty or the sale of Product covered by this limited warranty.



1-888-346-7539 | [www.dimplex.com](http://www.dimplex.com)

In keeping with our policy of continuous product improvement, we reserve the right to make changes without notice.

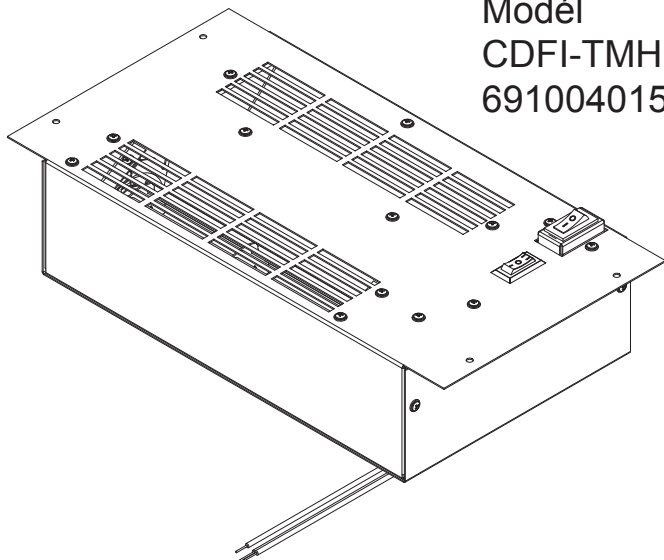
© 2018 Glen Dimplex Americas

**GlenDimplex**   
**AMERICAS**  
Enhancing the moments that matter in life



## Manuel du propriétaire

Modél  
CDFI-TMHEAT  
6910040159



---








**CONSIGNES DE SÉCURITÉ IMPORTANTES :** Lire le présent manuel avant d'essayer d'installer ou d'utiliser ce foyer électrique Dimplex. Pour votre sécurité, toujours respecter tous les avertissements et suivre les consignes de sécurité données dans le présent manuel afin de prévenir les blessures ou les dommages matériels.

Pour découvrir la gamme complète des produits Dimplex, visitez le site [www.dimplex.com](http://www.dimplex.com)

7215510100R00



## Table des matières

 Bienvenue . . . . .	3
 INSTRUCTIONS IMPORTANTES . . . . .	4
 Spécifications . . . . .	6
 Utilisation . . . . .	12
 Entretien . . . . .	14
 Support technique . . . . .	14
 Garantie . . . . .	15

Signes conventionnels utilisés  
dans ce manuel :

**! NOTA :** Marches à suivre et techniques d'importance suffisantes pour être soulignées.

**⚠ MISE EN GARDE :** Le non respect de ces procédures et techniques provoquera l'endommagement de l'équipement.

**⚠ AVERTISSEMENT :** Marches à suivre et techniques qui, si elles ne sont pas bien respectées, exposeront l'utilisateur à des risques d'incendie, de blessure grave ou de décès.

## Bienvenue

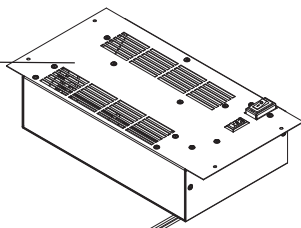
Nous vous remercions d'avoir acheté un foyer électrique fabriqué Dimplex.

**Lire ces consignes attentivement et les conserver.**

**⚠ ATTENTION** : Lire attentivement toutes les consignes et tous les avertissements avant de procéder à l'installation. Le non-respect de ces consignes pourrait entraîner un risque de choc électrique ou d'incendie et annulera la garantie.

Prendre en note le numéro de modèle et le numéro de série de l'appareil en vue d'une consultation ultérieure; les numéros de modèle et de série se trouvent sur l'étiquette du numéro de modèle et du numéro de série de l'appareil de chauffage.

MODEL		MOD.	
MODÈLE / MODELO			
SERIAL No.			
NUMÉRO DE SÉRIE / NUMERO DE SERIE			



**IL N'EST PAS NÉCESSAIRE D'ALLER AU MAGASIN**

Des questions à propos de l'utilisation ou du montage? Besoin d'information sur les pièces? Besoin d'information à propos d'un produit sous une garantie du fabricant?

Communiquer avec nous à  [www.dimplex.com/customer\\_support](http://www.dimplex.com/customer_support)  
Pour le dépannage et le Service d'assistance technique

**OU**  **Sans frais au 1-888-346-7539**

**Du lundi au vendredi, de 8 h à 16 h 30**

Afin que nous puissions mieux vous servir, veuillez avoir votre modèle et votre numéro de série à portée de main ou veuillez inscrire votre produit en ligne avant de téléphoner (voir ci-dessus).

# INSTRUCTIONS IMPORTANTES

Lorsqu'un appareil électrique est utilisé, il est important de toujours prendre des précautions de base pour réduire les risques d'incendie, de décharges électriques et de blessures. Il faut notamment appliquer ce qui suit :

- ① Lire toutes les instructions avant d'utiliser l'appareil de chauffage.
- ② L'appareil de chauffage devient chaud lorsqu'il est en marche. Pour éviter les brûlures, ne pas laisser la peau nue entrer en contact avec les surfaces chaudes. La surface autour de la bouche de chaleur devient chaude lorsque l'appareil de chauffage fonctionne.
-  **DANGER:** Dans certaines conditions, des températures anormalement élevées peuvent être générées. Ne pas couvrir ni obstruer partiellement ou complètement la partie frontale de cet appareil de chauffage.
- ③ Faire preuve d'une grande prudence lorsque l'appareil de chauffage est utilisé par des enfants ou des personnes handicapées, s'il est en marche à proximité d'eux, ou s'il est en marche et laissé sans surveillance.
- ④ Toujours débrancher l'appareil de chauffage lorsqu'il n'est pas utilisé.
- ⑤ Ne pas utiliser un appareil de chauffage après une défaillance.

Interrompre le courant au tableau de commande et faire inspecter l'appareil de chauffage par un électricien qualifié avant de le réutiliser.

- ⑥ Ne pas se servir de l'appareil de chauffage si le cordon est endommagé, si l'appareil fonctionne mal ou s'il est tombé ou a été endommagé de quelque manière que ce soit. Communiquer avec le service technique au 1 888 346-7539.
- ⑦ Ne pas utiliser à l'extérieur.
- ⑧ Ne jamais placer l'appareil de chauffage au-dessus d'une baignoire ou d'un autre contenant d'eau.
- ⑨ Pour débrancher l'appareil, l'éteindre, puis couper le courant à la boîte électrique.
- ⑩ Ne pas introduire ou permettre l'introduction de corps étrangers dans la prise d'air de ventilation ou la bouche de sortie d'air, car cela peut occasionner des décharges électriques, provoquer un incendie ou endommager l'appareil.
- ⑪ Pour éviter un incendie, n'obstruer l'entrée ou la sortie d'air d'aucune façon.

⑫ Tous les appareils de chauffage électriques contiennent des pièces qui chauffent et produisent un arc électrique ou des étincelles. Ne

# INSTRUCTIONS IMPORTANTES

pas faire fonctionner l'appareil dans des endroits où de l'essence, de la peinture ou des liquides inflammables sont utilisés ou entreposés.

⑬ Ne pas apporter de modifications à l'appareil de chauffage. Se servir de l'appareil de chauffage uniquement de la façon décrite dans le présent manuel. Toute autre utilisation non recommandée par le fabricant peut causer un incendie, des décharges électriques ou des blessures.

⑭ Toujours faire appel à un électricien certifié pour l'installation de nouveaux circuits ou de nouvelles prises de courant.

⑮ Toujours utiliser des prises correctement mises à la terre, polarisées et protégées par un fusible ou un disjoncteur.

⑯ Fermer toute source d'alimentation électrique de l'appareil de chauffage avant de le nettoyer, de le réparer ou de le déplacer.

⑰ Pendant le transport ou l'entreposage de l'appareil, le

conserver dans un endroit sec et à l'abri de vibrations excessives, et le ranger de façon à éviter qu'il ne s'endommage.

**! NOTA :** Les changements ou les modifications n'ayant pas fait l'objet d'une approbation expresse de la partie responsable de la conformité auront pour effet d'annuler le droit d'utilisation de l'appareil par l'utilisateur

## Installation dans une salle de bain

Si le foyer est installé dans une salle de bain, il doit être protégé par une prise à disjoncteur de fuite à la terre. Si une prise de courant est utilisée, elle doit être facilement accessible.

Pour prévenir tout risque de décharge électrique, cet appareil électrique non étanche à l'eau doit être installé de façon à éviter que de l'eau s'y infiltre. Cet appareil doit être installé loin de la douche, du bain, etc. Ne jamais installer l'appareil de chauffage à un endroit où il est susceptible de tomber dans une baignoire ou dans tout autre réservoir d'eau.

### MISE EN GARDE

RISQUE DE CHOC ÉLECTRIQUE. NE PAS OUVRIR.  
AUCUNE PIÈCE DONT L'ENTRETIEN PEUT ÊTRE EFFECTUÉ  
PAR L'UTILISATEUR NE SE TROUVE À L'INTÉRIEUR



# CONSERVER CES INSTRUCTIONS

## Installation de chauffage

**⚠ AVERTISSEMENT :** LES TRAVAUX D'INSTALLATION ET D'ENTRETIEN DOIVENT ÊTRE EXÉCUTÉS PAR DU PERSONNEL QUALIFIÉ ET AUTORISÉ. TOUTES LES INSTALLATIONS DOIVENT ÊTRE EFFECTUÉES CONFORMÉMENT AUX CODES ET AUX RÈGLEMENTS LOCAUX, ET INSPECTÉES ET APPROUVÉES PAR L'AUTORITÉ DE RÉGLEMENTATION LOCALE AVANT L'UTILISATION.

**⚠ AVERTISSEMENT :** Afin de réduire les risques d'incendie, de décharge électrique et de blessure, tous les travaux de construction et de câblage doivent être conformes au Code du bâtiment et aux autres règlements qui s'appliquent.

**! NOTA :** Un circuit de 15 ampères et de 120 volts est requis. Un circuit spécialisé est préférable, mais pas essentiel dans tous les cas. Un circuit spécialisé sera nécessaire si, après l'installation, le disjoncteur se déclenche ou si le fusible saute régulièrement pendant le fonctionnement de l'appareil de chauffage. L'ajout d'appareils sur le même circuit risque d'excéder la puissance nominale du disjoncteur.

### Installation câblée

L'appareil de chauffage est fourni assemblé et conçu pour une installation permanente. L'appareil est destiné à une installation câblée.

**⚠ AVERTISSEMENT :** Ne pas tenter d'installer de nouvelles prises ni de nouveaux circuits électriques soi-même. Pour réduire les risques d'incendie, de décharge électrique et de blessure, toujours faire appel à un électricien diplômé.

**! NOTA :** Lire toutes les instructions avant d'installer l'appareil.

1. Dans le cas d'une installation avec cadre, l'ouverture doit respecter les dimensions recommandées à la Figure 2.

**! NOTA :** Les dimensions indiquées présentent les dégagements minimums et varient en fonction du type de cadrage et des options de finition.

**! NOTA :** Le cadrage doit être construit pour supporter un poids de 10 lb (4,5 kg).

**⚠ AVERTISSEMENT :** Afin de réduire les risques d'incendie, éviter de conserver ou d'utiliser

## Installation de chauffage

de l'essence, d'autres liquides inflammables ou des gaz inflammables à proximité de l'appareil de chauffage.

2. Lors de l'installation, allouer au moins 2 pi (61 cm) de câble permettant le branchement du câble d'alimentation électrique.

**⚠ MISE EN GARDE :** Laisser un dégagement d'au moins 6 po (15,2 cm) par rapport aux murs adjacents et un dégagement d'au moins 18 po (45,7 cm) par rapport au sol.

**! NOTE:** Utiliser un câble d'alimentation d'un calibre AWG minimal de 14 avec deux conducteurs en cuivre isolés (blanc et noir) et un fil de mise à la terre nu.

**! NOTE:** L'appareil de chauffage ne diffuse la chaleur que dans une seule direction. Celle-ci est indiquée à la Figure 7.

Figure 1

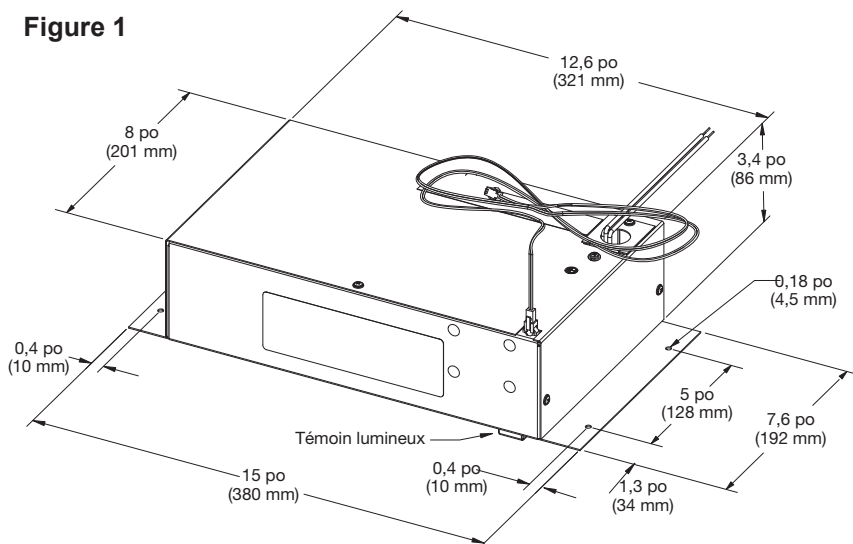
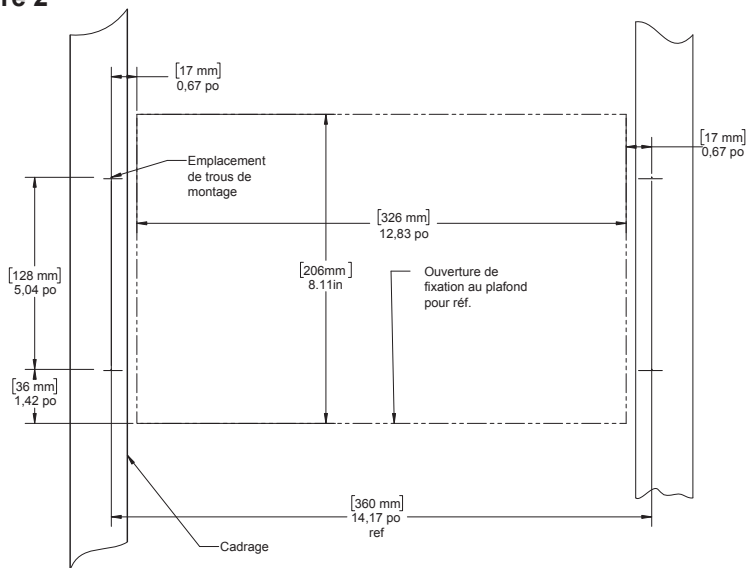




Figure 2



## Options d'installation

L'appareil de chauffage peut être utilisé seul ou avec une cassette Opti-myst.

L'appareil doit être installé de sorte que la bouche de chaleur soit à l'horizontale par rapport au sol. Les **dimensions d'ouverture requises** pour l'appareil de chauffage sont de 12,8 po (326 mm) x 8,1 po (206 mm) x 3,5 po (89 mm) de profondeur.

! **NOTA** : Aucune ventilation supplémentaire n'est nécessaire pour l'appareil de chauffage.

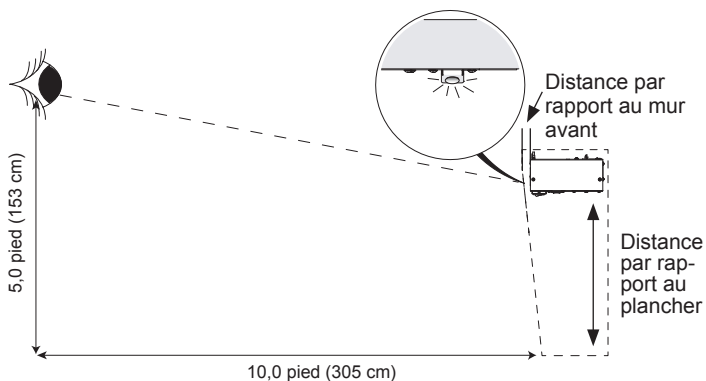
! **NOTA** : Installer l'appareil de chauffage de façon à ce que le témoin lumineux soit visible à 5 pi (153 cm) du plancher et à 10 pi (305 cm) de l'appareil (Figure 3).

Exemple :

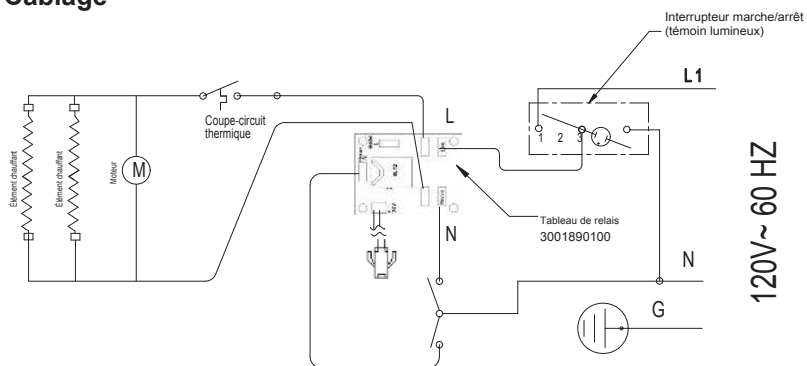
Distance par rapport au plancher	Distance par rapport au mur avant
54 po	6 po
36 po	2 po

# Installation de chauffage

Figure 3



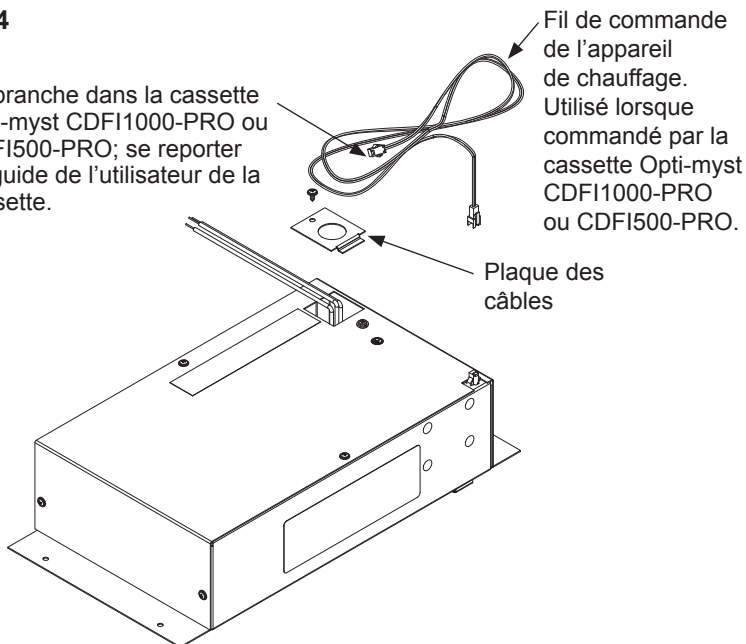
## Câblage



## Installation de chauffage

Figure 4

Se branche dans la cassette Opti-myst CDFI1000-PRO ou CDFI500-PRO; se reporter au guide de l'utilisateur de la cassette.



**⚠ MISE EN GARDE :** Un câble doté d'une gaine non métallique à 2 conducteurs avec fil de mise à la terre (3 fils en tout) est nécessaire pour alimenter l'appareil. Utiliser le câblage approprié conforme aux codes de l'électricité locaux et nationaux en ce qui a trait à la puissance nominale.

1. Au dos de l'appareil, retirer le serre-câbles en dévissant la vis sur le dessus (Figure 4).
2. Installer sur la plaque de câbles un connecteur de câble de 3/8 po (10 mm) ou de 1/2 po (13 mm), non fourni, convenant à un trou de 7/8 po (22 mm), passer le câble d'alimentation dans le connecteur et fixer en place.
3. Extraire les 3 fils de l'intérieur de l'appareil.
4. Raccorder le fil noir (sous tension) de l'appareil au fil noir de la source d'alimentation électrique.
5. Raccorder le fil blanc (neutre) de l'appareil au fil blanc de la source d'alimentation électrique.

## Installation de chauffage

- Raccorder le fil vert (mis à la terre) de l'appareil au fil vert de la source d'alimentation électrique.
- Placer tous les connecteurs à l'intérieur de l'appareil et fixer la plaque des câbles à l'appareil. Veiller à ce que le serre-câbles ne serre que la gaine extérieure du câble.

**! NOTA :** Il y a un panneau d'accès à l'arrière de l'appareil de chauffage; il permet d'accéder au câblage pour vérifier les circuits électriques sans avoir à toucher au connecteur à bague anti-traction du câble.

**⚠ MISE EN GARDE :** Au moment d'insérer l'appareil, veiller à ne pas endommager ou coincer les câbles d'alimentation dissimulés dans le plafond.

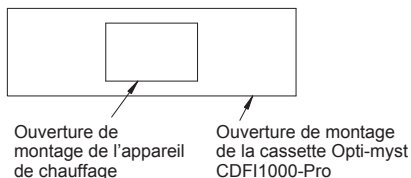
**⚠ AVERTISSEMENT :** Veiller à ce que le câble d'alimentation ne soit ni coincé ni disposé contre un bord tranchant, et ce, de façon à réduire les risques d'incendie, de décharge électrique ou de blessure.

- Placer l'appareil dans l'ouverture finie, et fixer l'appareil aux solives en vissant les vis dans les trous sur les rebords.

### Installation avec cassette Opti-myst

Suivre les instructions d'installation fournies avec la cassette Opti-myst. Utiliser un câble gainé supplémentaire pour alimenter la cassette Opti-myst par l'intermédiaire de la connexion de l'appareil de chauffage ou vice versa (Figure 6).

Figure 5



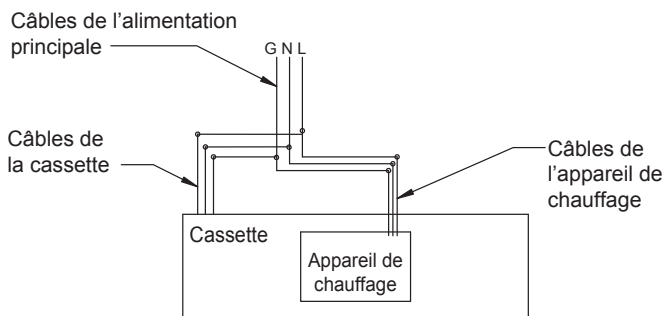
Centrer l'appareil de chauffage au-dessus de la cassette Opti-myst pour obtenir un rendement de flamme optimal (Figure 5). Laisser une distance d'au moins 18 po (45,7 cm) entre l'appareil de chauffage et le dessus de la cassette; en cas d'utilisation de bûches avec la cassette, augmenter la distance d'au moins 5 po (12,7 cm). Laisser un dégagement d'au moins 6 po (15,2 cm) par rapport aux murs adjacents.

Placer tous les connecteurs à l'intérieur des boîtiers de connexions appropriés et fixer les

## Installation de chauffage

serre-câbles aux appareils (cassette et appareil de chauffage), en veillant à ce que les serre-câbles ne serrent que la gaine extérieure des câbles.

**Figure 6**



**⚠ MISE EN GARDE** : S'assurer que les capuchons de connexion sont solidement serrés, de sorte qu'aucun fil nu (conducteur ou neutre) n'est exposé.

Brancher le connecteur à 2 broches au connecteur à 2 broches du faisceau de câbles de commande d'appareil de chauffage de la cassette Opti-myst.

**⚠ AVERTISSEMENT** : Débrancher l'appareil avant tout entretien ou nettoyage afin de réduire le risque d'incendie, de décharge électrique ou de blessure.

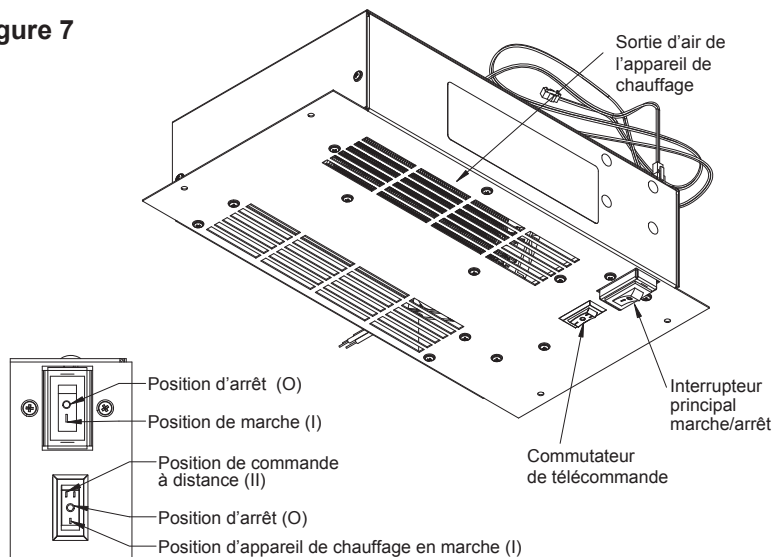
## Utilisation

**⚠ AVERTISSEMENT** : Cet appareil de chauffage électrique doit être installé correctement avant d'être utilisé.

L'interrupteur marche/arrêt contrôle l'alimentation de l'appareil de chauffage. Quand l'interrupteur est à la position « I », l'appareil est en marche; cela est indiqué par une lumière rouge. Quand l'interrupteur est à la position « O », l'appareil est éteint.

## Utilisation

Figure 7



Lorsqu'il est connecté à une cassette Opti-myst de Dimplex, l'appareil de chauffage peut être commandé par télécommande. Consulter le guide de l'utilisateur de la cassette.

### Réarmement du disjoncteur du circuit de la température

En cas de surchauffe, un interrupteur éteindra automatiquement l'appareil de chauffage, qui ne pourra être remis en marche tant que le

disjoncteur n'aura pas été réarmé. Pour réarmer le disjoncteur du circuit de la température, il faut débrancher l'appareil et attendre 5 minutes avant de le rebrancher.

**⚠ MISE EN GARDE :** S'il est nécessaire de réarmer constamment l'appareil, le débrancher et communiquer avec Glen Dimplex Americas en composant le 1 888 346-7539 pour obtenir de l'assistance technique. Veiller à avoir en main les numéros de modèle et de série de l'appareil.



## Entretien

**⚠ AVERTISSEMENT** : Débrancher l'appareil avant tout entretien ou nettoyage afin de réduire le risque d'incendie, de décharge électrique ou de blessure.

**! NOTA** : L'appareil de chauffage ne doit pas fonctionner si de la poussière ou de la saleté se sont accumulées sur l'appareil. Cela pourrait entraîner une accumulation de chaleur qui pourrait à son tour causer des dommages. Pour cette raison, l'appareil de chauffage doit être inspecté régulièrement, selon ses conditions d'utilisation, et au moins une fois par année.

### Nettoyage des surfaces de l'appareil de chauffage

Nettoyer les surfaces peintes de l'appareil de chauffage électrique avec un chiffon humide et de l'eau tiède. Ne pas utiliser de nettoyeurs abrasifs.

Utiliser un aspirateur pour éliminer la poussière accumulée dans les événements.



## Support technique

Technical and troubleshooting support, as well as a list of replacement parts can be found on  
**[www.dimplex.com/customer\\_support](http://www.dimplex.com/customer_support)**



## Garantie

### **GARANTIE LIMITÉE DE DEUX ANS**

#### *Produits couverts par la présente garantie limitée*

La présente garantie limitée couvre votre nouvel appareil de chauffage Dimplex. La présente garantie limitée ne s'applique qu'aux achats effectués dans l'une des provinces du Canada, à l'exception du Yukon, du Nunavut et des Territoires du Nord-Ouest, ou dans l'un des 50 États américains (incluant le district fédéral de Columbia), à l'exception d'Hawaï et de l'Alaska. La présente garantie limitée est valable seulement pour l'acheteur initial du produit et ne peut être transférée.

#### *Produits non couverts par la présente garantie*

Les produits achetés au Yukon, au Nunavut, dans les Territoires du Nord-Ouest, à Hawaï ou en Alaska ne sont pas couverts par la présente garantie limitée. Les produits achetés dans ces États, provinces ou territoires sont vendus TELS QUELS sans aucune garantie ni condition (y compris, notamment, toute garantie ou condition implicite de qualité marchande ou de convenance à un usage particulier), et l'acheteur doit assumer tous les risques relatifs à la qualité et au rendement des produits. En cas de défectuosité, tous les frais d'entretien et de réparation incombent à l'acheteur.

#### *Couverture et durée de la présente garantie limitée*

Les produits couverts par la présente garantie limitée ont été testés et inspectés avant l'envoi. Conformément aux dispositions de la présente garantie, Glen Dimplex Americas Ltd. (appelée aux présentes Glen Dimplex Americas) garantit que les composants de l'appareil de chauffage sont exempts de tout vice de matériau et de fabrication pour une période de 24 mois à partir de la date d'achat du

produit.

La présente garantie limitée s'applique également à toute garantie implicite pouvant exister en vertu des lois en vigueur. Certains territoires ne permettent pas de restreindre la durée d'une garantie implicite, de sorte qu'il est possible que la restriction ci-dessus ne s'applique pas à l'acheteur

#### *Exclusions de la présente garantie limitée*

La présente garantie limitée ne couvre pas les produits qui ont été réparés (sauf par Glen Dimplex Americas ou ses représentants de service autorisés) ou autrement modifiés. Elle ne couvre pas non plus les défectuosités résultant d'un mauvais usage, d'un usage abusif, d'un accident, de négligence, d'une mauvaise installation, d'une manipulation ou d'un entretien inadéquat, de l'utilisation avec une source de courant inadéquate, d'un incendie ou de tout autre événement hors du contrôle de Glen Dimplex Americas, incluant, sans toutefois s'y limiter, les cas de force majeure.

#### *Ce qu'il faut faire pour se prévaloir du service dans le cadre de la présente garantie limitée*

Les défectuosités doivent être signalées au service technique de Glen Dimplex Americas au 1 888 346-7539. Au moment d'appeler, avoir à portée de la main une preuve d'achat, ainsi que les numéros de catalogue, de modèle et de série du produit défectueux. Il faut aussi avoir une preuve d'achat du produit pour se prévaloir du service dans le cadre de la garantie limitée.

#### *Ce que fera Glen Dimplex Americas en cas de défectuosité*

S'il s'avère que le produit ou qu'une pièce du produit couvert par cette garantie limitée présente effectivement un vice



de matériau ou de fabrication pendant la garantie de deux ans, selon le cas, l'acheteur aura alors les droits suivants :

Glen Dimplex Americas pourra, à sa seule discrétion, réparer ou remplacer sans frais la pièce ou le produit défectueux. Si Glen Dimplex Americas est incapable de réparer ou de remplacer la pièce ou le produit, ou si la réparation ou le remplacement n'est pas commercialement possible, ou ne peut être fait rapidement, Glen Dimplex Americas pourra, au lieu d'effectuer la réparation ou le remplacement, décider de rembourser le prix d'achat de la pièce ou du produit.

Le service sous garantie limitée sera dispensé uniquement par des dépositaires ou agents de service de Glen Dimplex Americas autorisés à dispenser des services sous garantie limitée.

Pour les produits autres que les manteaux et les garnitures, cette garantie limitée de deux ans donne droit à l'acheteur à des services sous garantie sur place ou à domicile. Par conséquent, Glen Dimplex Americas assumera tous les frais de main-d'œuvre et de transport liés à la réparation ou au remplacement du produit ou de la pièce, sauf pour ce qui suit : (i) des frais pourraient être facturés pour les coûts engagés pour se rendre au site de l'acheteur où le produit se trouve, si ce site est à plus de 30 milles (48 km) du centre de service le plus près d'un dépositaire ou d'un agent de service de Glen Dimplex Americas; et (ii) l'acheteur est entièrement responsable de dégager l'accès à toutes les pièces du produit susceptibles d'être réparées ou entretenues.

Glen Dimplex Americas n'est pas responsable des frais encourus pour l'installation ou le retrait du produit ou de la pièce (ou de tout produit ou de toute pièce de rechange) ni des frais de main-d'œuvre

et de transport, et la présente garantie limitée ne les couvre pas non plus. Ces frais sont la responsabilité de l'acheteur.

*Autres exclusions à la responsabilité de Glen Dimplex Americas et de ses dépositaires et agents de service :*

GLEN DIMPLEX AMERICAS, SES ADMINISTRATEURS, SES GESTIONNAIRES OU SES AGENTS NE POURRONT EN AUCUN CAS ÊTRE TENUS RESPONSABLES ENVERS L'ACHETEUR OU TOUTE AUTRE TIERCE PARTIE, EN VERTU D'UN CONTRAT, DU DROIT DE LA RESPONSABILITÉ CIVILE DÉLICTEUELLE OU SUR TOUTE AUTRE BASE, DE COÛTS, DE PERTES OU DE DOMMAGES INDIRECTS, SPÉCIAUX, PUNITIFS, EXEMPLAIRES OU ACCESSOIRES DÉCOULANT DIRECTEMENT OU INDIRECTEMENT DE LA VENTE, DE L'ENTRETIEN, DE L'UTILISATION OU DE L'INCAPACITÉ D'UTILISATION DU PRODUIT, MÊME SI GLEN DIMPLEX AMERICAS, SES GESTIONNAIRES, SES ADMINISTRATEURS OU SES AGENTS ONT ÉTÉ INFORMÉS DE LA POSSIBILITÉ DE TELS COÛTS, PERTES OU DOMMAGES, OU SI LESDITS COÛTS, PERTES OU DOMMAGES SONT PRÉVISIBLES. GLEN DIMPLEX AMERICAS, SES GESTIONNAIRES, SES ADMINISTRATEURS OU SES AGENTS NE POURRONT EN AUCUN CAS ÊTRE TENUS RESPONSABLES DE COÛTS, DE PERTES OU DE DOMMAGES DIRECTS QUI DÉPASSENT LE PRIX D'ACHAT DU PRODUIT.

CERTAINS TERRITOIRES NE PERMETTENT PAS QUE DES EXCLUSIONS OU LIMITATIONS AUX DOMMAGES INDIRECTS OU ACCESSOIRES SOIENT APPLIQUÉES.

## Garantie

IL SE POURRAIT DONC QUE LES EXCLUSIONS ET LIMITATIONS CI-DESSUS NE S'APPLIQUENT PAS À L'ACHETEUR.

*Comment les lois provinciales et d'État s'appliquent*

Cette garantie limitée confère à l'acheteur des droits juridiques précis, et il se peut qu'il ait d'autres droits qui varient d'un territoire à un autre. Les dispositions de la Convention des Nations Unies sur les contrats de vente de biens ne s'appliquent pas à cette garantie limitée ou à la vente du produit couvert par la présente garantie limitée.

1-888-346-7539 | [www.dimplex.com](http://www.dimplex.com)

Dans le cadre de notre politique d'amélioration continue de nos produits, nous nous réservons le droit de modifier les spécifications sans préavis.

© 2018 Glen Dimplex Americas

  
**Glen Dimplex**  
**AMERICAS**

Améliorer les moments qui comptent plus dans la vie