



Cascade Collection

Our Cascade collection of stone planks undergo two treatments to achieve this unique look. The soft yet dramatic shadow effect seen in this stone creates a magical feeling of harmony between the stone and its surroundings. As its name implies, the linear appearance resembles that of a tranquil waterfall. This collection of stone lends itself to modern spaces.

Cascade Collection

Product Information






DOVER | DOV-CAS



FOSSIL | FOS-CAS

PRODUCT DETAILS

Uses	 EXT  INT  WALL
Format	4" x 16" Planks
Thickness	5/8"
Weight	8 lbs/sq.ft.
Tolerance	+/- 1/8"
Resistance to Salt Attack	Nil loss after 15 cycles

FREEZE THAW

Average Water Absorption	≤ 1%
Average Mass Loss	Nil

COLOUR RANGE

Due to the nature of natural stone, colour may vary between batches. This is standard across the natural stone industry.

NAME	CODE	STONE TYPE
Dover	DOV-CAS	Limestone
Fossil	FOS-CAS	Marble

Beauty
Set in
Stone.

Cascade Collection Installation Instructions

RECOMMENDED MORTAR

Chembond® MagniFlex™ Super 8820 or Mapei® Ultraflex™ RS

RECOMMENDED SEALER (only when required)

A professional grade natural stone penetrating sealer may be used on ErthCoverings stone veneers.

STEP 1

Ensure all surfaces to be faced are clean and free of all loose material and dust. Surfaces to be faced must be structurally sound and comply with local building codes. Apply starter strips where required and ensure all starter strips are installed perfectly level.

STEP 2

Apply the mortar to the back of each panel using a minimum 3/8" notched trowel. Ensure all depressions on the back of the panel are filled and that the edges of the panel are kept clean from mortar.

STEP 3

Place the stone panel in place and ensure proper adhesion is achieved by pressing firmly on the face of the stone. When installing, ensure all mortar is removed from the edges of the stone prior to installing the adjacent pieces. This will ensure that all adjacent pieces are installed as tight as possible and thus eliminating unsightly gaps. Vertical joints should be randomly staggered to disguise the seams.

STEP 4

Where needed, individual pieces should be cut with a wet saw to ensure accurate and clean cuts. Never mark the surface of the stone with a permanent marker as this will be absorbed by the stone and cannot be removed.

STEP 5

During the installation and after the installation is completed, wipe the surface clean with clean water only, ensuring to remove all mortar and dust from the surface.

STEP 6

When wrapping the Cascade panels around corners, the pieces should be mitered to achieve a finished look.

STEP 7

Prevent any vibration or hammering of the wall for a period no less than 24 hours after the stone has been applied to prevent the possibility of compromising the adhesion of the stone to the wall.

STEP 8

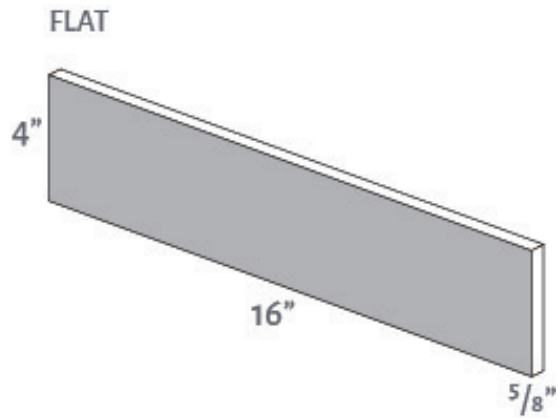
ErthCoverings recommends the use of sealer on all applications susceptible to staining to protect the stone and allow for easy cleaning (especially in high traffic areas). A test sample may be required to determine the desired look.

NOTE:

These installation instructions are intended as a guide only. For further assistance, please contact ErthCoverings at 1 866 657 6606 (Toronto).

Beauty
Set in
Stone.

Cascade Collection Format



FORMAT 4" x 16" Planks

NAME	CODE	STONE TYPE
Dover	DOV-CAS	Limestone
Fossil	FOS-CAS	Marble

Beauty
Set in
Stone.

General Maintenance Guide

CLEANING

Dirt, grime, etc., may be removed by using a solution of granulated soap or detergent and water with a bristle brush. Do not use a wire brush, as it will cause damage to the surface. Rinse immediately with fresh water. For help with stubborn cleaning problems, contact ErthCoverings. Do not attempt to clean using acid or acid-containing products, power washing, sandblasting or wire-brush cleaning.

SALT & DE-ICING CHEMICALS

Do not use de-icing chemicals on areas immediately adjacent to an ErthCoverings stone veneer application. Do not allow snow to be piled up against the stone surface for a prolonged period of time.

SCUFFING

Scuffing occurs on all natural stone. Occasionally some scuffing will occur on the surface of ErthCoverings. Some scuff marks can be removed by cleaning as described above.

EFFLORESCENCE

Efflorescence is a water-soluble salt that is deposited on the surface of stucco, concrete, brick and other masonry products by the evaporation of water from the wall. On rare occasions efflorescence will occur on ErthCoverings products. To remove efflorescence, allow the stone to dry thoroughly, and then scrub vigorously with a stiff bristle brush and clean water. Rinse thoroughly-do not use a wire brush.

SEALERS

It is not required to apply sealers to ErthCoverings. However, some customers use sealers to help prevent staining in applications prone to oil stains, smoke, soot, dirt, grime or water splashing. If you choose to use a sealer, make sure it is a breathable sealer. Take note that sealers may enhance the colour of the stone. A sealer may also slow the natural movement of moisture out of the stone and increase the possibility of efflorescence and/or spalling. For information regarding actual performance or application of sealers, contact the manufacturer of the sealer directly.

USE BELOW WATER LEVELS

ErthCoverings will not deteriorate from exposure to fresh liquid water. The use of ErthCoverings below water level, in which the water is chlorinated, treated with chemicals or dirty will likely cause discolouration. Natural stone materials are subject to potential damage from adverse freeze thaw conditions. Water should be drained below susceptible materials prior to freezing temperatures. Pressure and abrasion from constant fast flowing water may cause some surface deterioration. The surface of ErthCoverings may be affected by exposure to extensive salt-water conditions. ErthCoverings should not be considered a waterproof material.

Beauty
Set in
Stone.

The logo for ErthCoverings, featuring the word "Erth" in a bold, black, sans-serif font. The letter "E" is stylized with three horizontal red bars. Below "Erth" is the word "COVERINGS" in a smaller, black, all-caps, sans-serif font.**Erth**
COVERINGS

erthcoverings.com