

## Panels Series

No longer are flat walls the norm, EARTH Panels enable the natural beauty of stone to truly express itself by adding depth, texture and stunning appeal to any interior or exterior wall. This stone is strategically cut and designed to fashion a very exquisite and symmetrical appeal.

**erth**  
COVERINGS

# Panels

## Product Information



BLUSTONE | 90F



CREAM QUARTZITE | 40F



GREY WOLF | 60F



MOUNTAIN GREY | 101N



SILVER FOX | SF-PAN






SILVER FOX | SF-N



WHITE WOLF | 06F

### PRODUCT DETAILS

Uses	  
Finish	Split/ Honed
Format	6" x 24" Panel
Thickness	1/2" - 1 1/4"
Weight	7-11 lbs/sq.ft.
Tolerance	+/- 1/8"
Resistance to Salt Attack	Nil loss after 15 cycles

### FREEZE THAW

Average Water Absorption	≤ 1%
Average Mass Loss	Nil

### COLOUR RANGE

Due to the nature of natural stone, colour may vary between batches. This is standard across the natural stone industry.

NAME	CODE /CORNER	STONE TYPE
Blustone	90F / 90F-C	Limestone
Cream Quartzite	40F / 40F-C	Quartzite
Grey Wolf	60F / 60F-C	Marble
Mountain Grey	101N	Limestone
Silver Fox	SF-N	Limestone
Silver Fox	SF-PAN / no corner	Limestone
White Wolf	06F / 06F-C	Marble

Beauty  
Set in  
Stone.

# Panels Installation Instructions

---

## **RECOMMENDED MORTAR**

Chembond® MagniFlex™ Super 8820 or Mapei® Ultraflex™ RS

Silver Fox Panels must be installed using Mapei® Ultraflex™ RS

White Wolf Panels must be installed using a white mortar to prevent staining.

**RECOMMENDED SEALER** (only when required.) A professional grade natural stone penetrating sealer may be used on ErthCoverings stone veneers.

---

### **STEP 1**

Ensure all surfaces to be faced are clean and free of all loose material and dust. Surfaces to be faced must be structurally sound and comply with local building codes. Apply starter strips where required and ensure all starter strips are installed perfectly level.

---

### **STEP 2**

Apply the mortar to the back of each panel using a minimum 3/8" notched trowel. Ensure all depressions on the back of the panel are filled and that the edges of the panel are kept clean from mortar.

---

### **STEP 3**

Place the stone panel in place and ensure proper adhesion is achieved by pressing firmly on the face of the stone. When installing, ensure all mortar is removed from the edges of the stone prior to installing the adjacent pieces. This will ensure that all adjacent pieces are installed as tight as possible and thus eliminating unsightly gaps. Vertical joints should be randomly staggered to disguise the seams.

---

### **STEP 4**

Where needed, individual pieces should be cut with a wet saw to ensure accurate and clean cuts. Never mark the surface of the stone with a permanent marker as this will be absorbed by the stone and cannot be removed.

---

### **STEP 5**

During the installation and after the installation is completed, wipe the surface clean with clean water only, ensuring to remove all mortar and dust from the surface.

---

### **STEP 6**

When wrapping the panels around corners, the use of our corner pieces is recommended. See our corner installation instructions for more details.

# Panels Installation Instructions

---

## STEP 7

Prevent any vibration or hammering of the wall for a period no less than 24 hours after the stone has been applied to prevent the possibility of compromising the adhesion of the stone to the wall.

---

## STEP 8

ErthCoverings recommends the use of sealer on all applications susceptible to staining to protect the stone and allow for easy cleaning (especially in high traffic areas). A test sample may be required to determine the desired look.

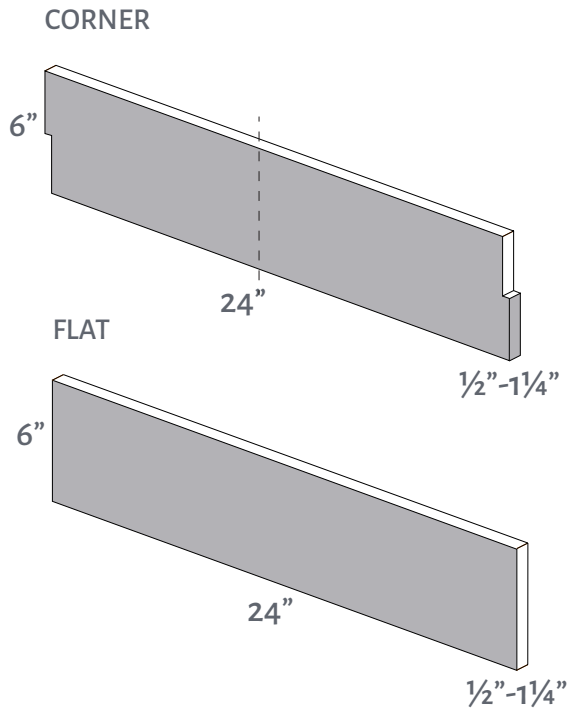
---

## NOTE:

These installation instructions are intended as a guide only. For further assistance, please contact ErthCoverings at 1 866 657 6606 (Toronto).

Beauty  
Set in  
Stone.

# Panels Format




---

**FORMAT** 6" x 24" Planks

---

NAME	CODE	STONE TYPE
Blustone	90F / 90F-C	Limestone
Cream Quartzite	40F / 40F-C	Quartzite
Grey Wolf	60F / 60F-C	Marble
Mountain Grey	101N	Limestone
Silver Fox	SF-N	Limestone
Silver Fox	SF-PAN / no corner	Limestone
White Wolf	06F / 06F-C	Marble

Beauty  
Set in  
Stone.

# Panels Calculation

---

## STEP 1

Calculate the total square feet of the area to be covered (subtract windows, doors, etc.)

---

## STEP 2

Add 10% to the total square feet for waste.

---

## STEP 3

Add your total linear feet of outside corner.

(Figure 1)

---

## STEP 4

Multiply your total linear feet of outside corner by 2. This is the amount of corner panels required.

---

## STEP 5

Subtract the amount of corner panels required from the total square footage (including waste). This is the amount of regular panels required. (If this figure is less than zero, then only corner panels are required).

step 1 SQ FT	total square feet
step 2 SQ FT + 10%	total square feet + waste
step 3 outside corner LINEAR FT	total linear feet
step 4 LINEAR FT $\times$ 2	# of corner panels needed
step 5 SQ FT - CORNER	# of regular panels needed

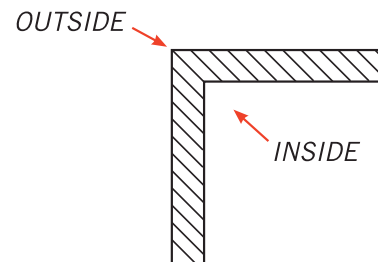


Figure 1

Beauty  
Set in  
Stone.

# General Maintenance Guide

---

## **CLEANING**

Dirt, grime, etc., may be removed by using a solution of granulated soap or detergent and water with a bristle brush. Do not use a wire brush, as it will cause damage to the surface. Rinse immediately with fresh water. For help with stubborn cleaning problems, contact ErthCoverings. Do not attempt to clean using acid or acid-containing products, power washing, sandblasting or wire-brush cleaning.

---

## **SALT & DE-ICING CHEMICALS**

Do not use de-icing chemicals on areas immediately adjacent to an ErthCoverings stone veneer application. Do not allow snow to be piled up against the stone surface for a prolonged period of time.

---

## **SCUFFING**

Scuffing occurs on all natural stone. Occasionally some scuffing will occur on the surface of ErthCoverings. Some scuff marks can be removed by cleaning as described above.

---

## **EFFLORESCENCE**

Efflorescence is a water-soluble salt that is deposited on the surface of stucco, concrete, brick and other masonry products by the evaporation of water from the wall. On rare occasions efflorescence will occur on ErthCoverings products. To remove efflorescence, allow the stone to dry thoroughly, and then scrub vigorously with a stiff bristle brush and clean water. Rinse thoroughly-do not use a wire brush.

---

## **SEALERS**

It is not required to apply sealers to ErthCoverings. However, some customers use sealers to help prevent staining in applications prone to oil stains, smoke, soot, dirt, grime or water splashing. If you choose to use a sealer, make sure it is a breathable sealer. Take note that sealers may enhance the colour of the stone. A sealer may also slow the natural movement of moisture out of the stone and increase the possibility of efflorescence and/or spalling. For information regarding actual performance or application of sealers, contact the manufacturer of the sealer directly.

---

## **USE BELOW WATER LEVELS**

ErthCoverings will not deteriorate from exposure to fresh liquid water. The use of ErthCoverings below water level, in which the water is chlorinated, treated with chemicals or dirty will likely cause discolouration. Natural stone materials are subject to potential damage from adverse freeze thaw conditions. Water should be drained below susceptible materials prior to freezing temperatures. Pressure and abrasion from constant fast flowing water may cause some surface deterioration. The surface of ErthCoverings may be affected by exposure to extensive salt-water conditions. ErthCoverings should not be considered a waterproof material.

Beauty  
Set in  
Stone.



[erthcoverings.com](http://erthcoverings.com)