



Splitface Collection

Splitface's rough texture and extravagant pieces will add grandeur and magnificence to any project. Ideal installation ideas include interior and exterior walls such as exterior façades, interior feature walls, fireplace surrounds, retaining walls, columns and water features.

Splitface Collection

Product Information



DURANGO | 70SPF



BLUSTONE | 90SPF



DOVER | DOV-SPF



FOSSIL | FOS-SPF

PRODUCT DETAILS

Uses	
Finish	Splitface
Format	Varies
Thickness	1/2" - 1 1/4"
Weight	11-14 lbs/sq.ft.
Tolerance	+/- 1/8"
Resistance to Salt Attack	Nil loss after 15 cycles

FREEZE THAW

Average Water Absorption	≤ 1%
Average Mass Loss	Nil

COLOUR RANGE

Due to the nature of natural stone, colour may vary between batches. This is standard across the natural stone industry.

NAME	CODE /CORNER	STONE TYPE
Durango	70SPF / 70SPF-C	Limestone
Blustone	90SPF / 90SPF-C	Limestone
Dover	DOV-SPF / DOV-SPF-C	Limestone
Fossil	FOS-SPF / FOS-SPF-C	Marble

Beauty
Set in
Stone.

Splitface Collection Installation Instructions

RECOMMENDED MORTAR

Chembond® MagniFlex™ Super 8820 or Mapei® Ultraflex™ RS

RECOMMENDED SEALER (only when required)

A professional grade natural stone penetrating sealer may be used on ErthCoverings stone veneers.

RECOMMENDED GROUT (only when required)

Sanded or Un-Sanded Grout

STEP 1

Ensure all surfaces to be covered are clean and free of all loose material and dust. Surfaces to be covered must be structurally sound and comply with local building codes.

STEP 2

Apply the mortar to the substrate using a minimum 3/8" notched trowel, or alternatively apply the mortar to the back of each piece of stone using a flat hand trowel. Place the stone in place and ensure proper adhesion is achieved by pressing firmly on the face of the stone. Our Splitface collection can be installed with or without grout joints and in a Random or Linear format. See the diagram below for more details.

UN-GROUTED APPLICATIONS follow steps 3a - 8a ✖

✖ STEP 3a

When installing, ensure all mortar is removed from the edges of the stone prior to installing the adjacent pieces. This will ensure that all adjacent pieces are installed as tight as possible and thus eliminating unsightly gaps.

GROUTED APPLICATIONS follow steps 3b - 7b +

+ STEP 3b

The use of spacers may be needed to maintain uniform joint widths. During the installation and after the installation is completed, wipe the stone surface clean with clean water only ensuring to remove all mortar and dust from the stone surface.

*** STEP 4a**

During the installation and after the installation is completed, wipe the surface clean with clean water only ensuring to remove all mortar and dust from the stone surface.

*** STEP 5a**

Where needed, individual pieces should be cut with a wet saw to ensure accurate and clean cuts. Never mark the surface of the stone with a permanent marker as this will be absorbed by the stone.

*** Step 6a**

Durango 70SPF & Blustone 90SPF use 90° degree corner pieces. Dover DOV-SPF and Fossil FOS-SPF use natural edge pieces that butt together.

*** STEP 7a**

Prevent any vibration or hammering of the wall for a period no less than 24 hours after the stone has been applied to prevent the possibility of compromising the adhesion of the stone to the wall.

*** STEP 8a**

ErthCoverings recommends the use of sealer on all applications susceptible to staining to protect the stone.

+ STEP 4b

Where needed, individual pieces should be cut with a wet saw to ensure accurate and clean cuts. Never mark the surface of the stone with a permanent marker as this will be absorbed by the stone and cannot be removed. Cut edges should then be chipped with a chipping hammer.

+ STEP 5b

Durango 70SPF & Blustone 90SPF use 90° degree corner pieces. Dover DOV-SPF and Fossil FOS-SPF use natural edge pieces that butt together.

+ STEP 6b

After the mortar has set, remove the spacers and using a grouting bag, apply the recommended grout in accordance with the manufacturer's instructions. Do not allow grout to dry on the surface of the stone before cleaning. Allow the grout to set until it is fairly stiff before tooling the joints. Tool the horizontal joints first, then the vertical joints. Tooling the joints will ensure uniform grout joints.

+ STEP 7b

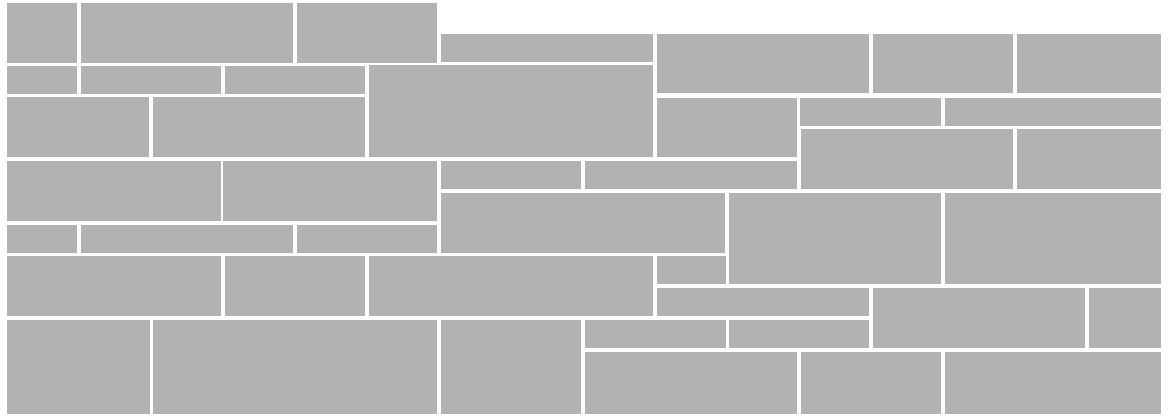
Allow the grout to dry. Using a broom head, remove the excess grout from the stones surface.

NOTE:

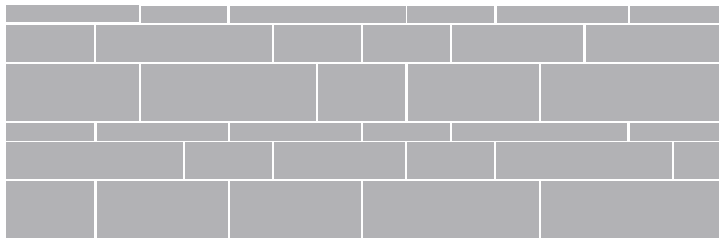
These installation instructions are intended as a guide only. For further assistance, please contact ErthCoverings at 1 866 657 6606 (Toronto).

Beauty
Set in
Stone.

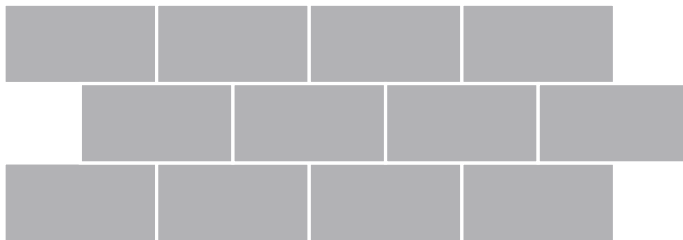
Splitface Collection Installation Layouts



Random Layout



Linear Layout

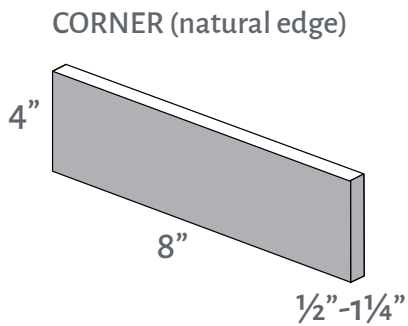
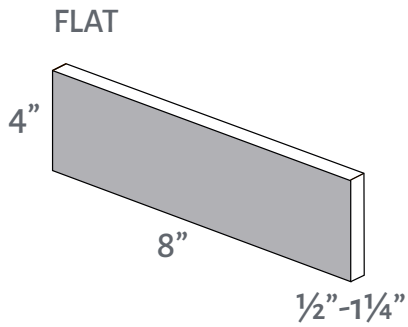


Brick Layout

Beauty
Set in
Stone.

Splitface Collection

Format:Dover, Fossil



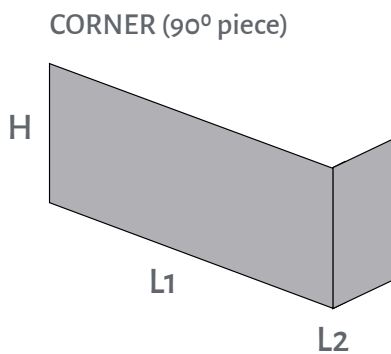
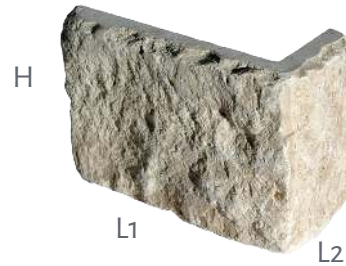
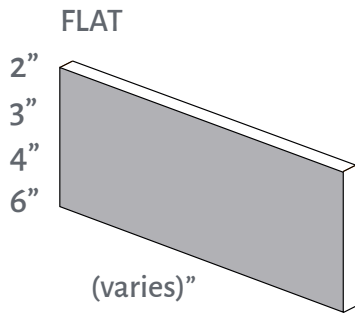
FORMAT Flats & Corners individual pieces

NAME	CODE	STONE TYPE
Dover	DOV-SPF / DOV-SPF-C	Limestone
Fossil	FOS-SPF / FOS-SPF-C	Marble

Beauty
Set in
Stone.

Splitface Collection

Format: Durango, Blustone



2.3 linear feet corner, 2.1 square feet coverage

FORMAT Varies

NAME	CODE	STONE TYPE
Durango	70SPF / 70SPF-C	Limestone
Blustone	90SPF / 90SPF-C	Limestone

90° PIECES
DIMENSIONS **CONTENTS**

H x L1 x L2	PIECES / BOX
2" x 7" x 3"	1
3" x 9" x 6"	1
3" x 7" x 4"	1
4" x 8" x 5"	1
4" x 7" x 3"	1
6" x 7" x 3"	1
6" x 10" x 4"	1

Beauty
Set in
Stone.

Splitface Collection Panel Calculation

STEP 1

Calculate the total square feet of the area to be covered (subtract windows, doors, etc.)

STEP 2

Add 10% to the total square feet for waste.

STEP 3

Add your total vertical feet of outside corner.

(Figure 1)

STEP 4

Divide your total vertical feet of outside corner by 2. This is the amount of Splitface corner boxes required.

STEP 5

Multiply the amount of Splitface corner boxes required by 1.8. Subtract this amount from the total square footage (including waste). This is the amount of regular Splitface required. (If this figure is less than zero, then only corner panels are required).

step 1 SQ FT	total square feet
step 2 SQ FT + 10%	total square feet + waste
step 3 outside corner VERTICAL FT	total linear feet
step 4 VERTICAL FT ÷ 2	# of corner boxes needed
step 5 CORNER x 1.8 - SQ FT	# of regular Splitface needed

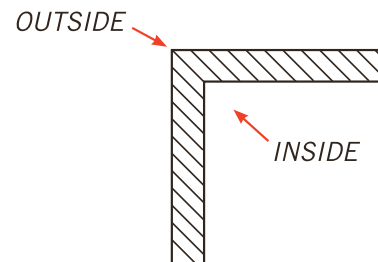


Figure 1

Beauty
Set in
Stone.

Erth
COVERINGS

erthcoverings.com

General Maintenance Guide

CLEANING

Dirt, grime, etc., may be removed by using a solution of granulated soap or detergent and water with a bristle brush. Do not use a wire brush, as it will cause damage to the surface. Rinse immediately with fresh water. For help with stubborn cleaning problems, contact ErthCoverings. Do not attempt to clean using acid or acid-containing products, power washing, sandblasting or wire-brush cleaning.

SALT & DE-ICING CHEMICALS

Do not use de-icing chemicals on areas immediately adjacent to an ErthCoverings stone veneer application. Do not allow snow to be piled up against the stone surface for a prolonged period of time.

SCUFFING

Scuffing occurs on all natural stone. Occasionally some scuffing will occur on the surface of ErthCoverings. Some scuff marks can be removed by cleaning as described above.

EFFLORESCENCE

Efflorescence is a water-soluble salt that is deposited on the surface of stucco, concrete, brick and other masonry products by the evaporation of water from the wall. On rare occasions efflorescence will occur on ErthCoverings products. To remove efflorescence, allow the stone to dry thoroughly, and then scrub vigorously with a stiff bristle brush and clean water. Rinse thoroughly, do not use a wire brush.

SEALERS

It is not required to apply sealers to ErthCoverings. However, some customers use sealers to help prevent staining in applications prone to oil stains, smoke, soot, dirt, grime or water splashing. If you choose to use a sealer, make sure it is a breathable sealer. Take note that sealers may enhance the colour of the stone. A sealer may also slow the natural movement of moisture out of the stone and increase the possibility of efflorescence and/or spalling. For information regarding actual performance or application of sealers, contact the manufacturer of the sealer directly.

USE BELOW WATER LEVELS

ErthCoverings will not deteriorate from exposure to fresh liquid water. The use of ErthCoverings below water level, in which the water is chlorinated, treated with chemicals or dirty will likely cause discolouration. Natural stone materials are subject to potential damage from adverse freeze thaw conditions. Water should be drained below susceptible materials prior to freezing temperatures. Pressure and abrasion from constant fast flowing water may cause some surface deterioration. The surface of ErthCoverings may be affected by exposure to extensive salt-water conditions. ErthCoverings should not be considered a waterproof material.

Beauty
Set in
Stone.

The logo for ErthCoverings features the word "Erth" in a bold, black, sans-serif font. The letter "E" is stylized with three horizontal red bars. Below "Erth" is the word "COVERINGS" in a smaller, black, all-caps, sans-serif font.**Erth**
COVERINGS

erthcoverings.com