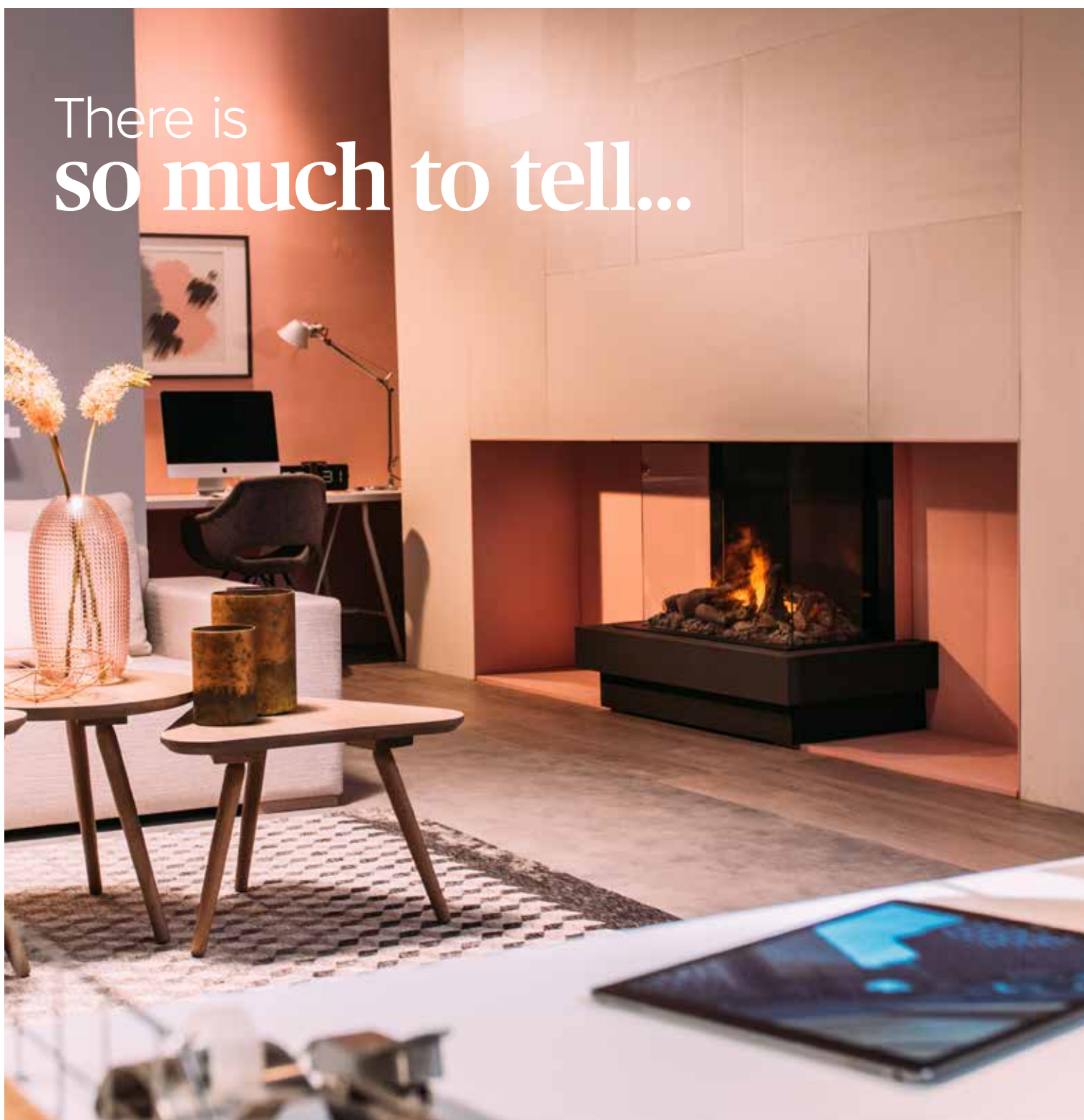


There is  
**so much to tell...**



FEF3226L3

The wonderful feel of a burning log fire. The place where you can relax, meet, recharge your batteries and share. When a gas fire or wood stove is impossible or undesirable, or for those who prefer "individual design" and specific choices, Faber has the new e-MatriX; Astonishing fire... from water. Fire for anybody, anywhere.

 **faber**



# FEF3226L3

## e-Matrix

### Three-Sided Built-in Firebox



#### Dimensions:

Outside dimensions WxHxD:  
39-1/8" x 37" x 20-1/4"  
995mm x 940mm x 513.5mm

Viewing dimensions WxHxD:  
33-1/8" x 25-5/8" x 13-7/8"  
843mm x 650mm x 351mm



#### Logs

Realistic charred log set to maximize the illusion of depth and the appearance of burning firewood. Combine with loose embers for a custom display.



#### Water Connection

Hard plumbed to provide consistent water flow.



#### Light Module

Provides a pulsating burn on logs for a truly lifelike effect.



#### Sound Module

Provides the soothing sounds of fire crackling.



#### Rear Wall Steel

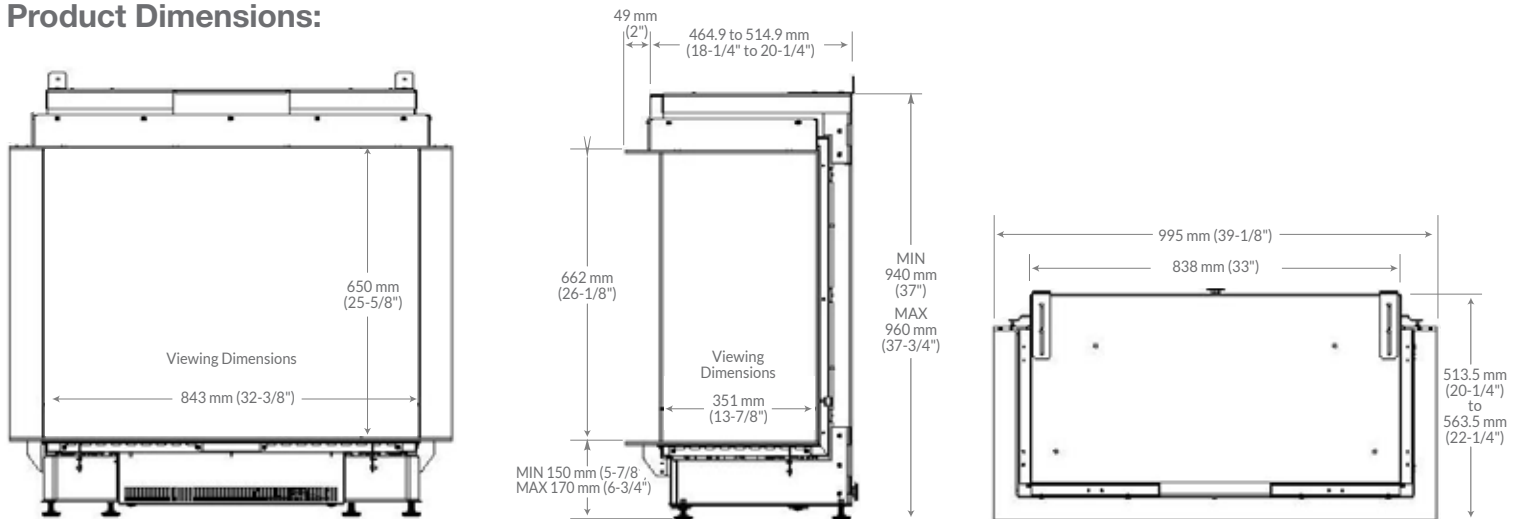
Provides a solid dark interior finish.



#### Bluetooth Remote Control

Control 100% of the fireplace features from the comfort of your chair.

#### Product Dimensions:



120 Volts | 270 Watts

Model #	Description	Lbs/Kg	UPC	Wty.	Water consumption	Power consumption	Inlet water pressure	Water connection	Carton Dimensions (WxHxD)		Cube	
									inches	cm	Ft³	M³
FEF3226L3	Three-Sided Firebox	297 / 136	781052 132054	2 yr.	0.30 L/hr	0.27 kW	7.5 - 115 psi	1/4"	51 x 26 x 49	129.5 x 66.0 x 124.5	37.6	1.06



Specifications, finishes and dimensions are subject to change. \*Limited warranty.  
©2019 Glen Dimplex Americas  
SE-437-R01-021919

Glen Dimplex Americas 1-800-668-6663 | www.FaberFire.com