



M

ZC

RF

Industrial Features:

- Unique Industrial Design
- Factory Window Pane
- Natural Steel Elements
- Custom Sizes

Frame Details

- 2" Frame Panel Width (can be customized)*
- 14ga: 3/4" Frame Depth (can be customized)*
- 7ga: 3/16" Frame Depth (can be customized)*
- 1.5" Door Frame

industrial

M - Masonry Fireplaces

ZC - Zero Clearance/Manufactured Fireplaces

RF - Stoll Reface for Manufactured Fireplaces

Frame Styles

- | | |
|----------------------|---|
| Rectangle | ✓ |
| Arch | ✓ |
| Arch Conversion | ✓ |
| Arch Top Add-On | ✓ |
| Side Light & Transom | X |
| Corner Door | ✓ |

Door Styles

- | | |
|----------------------|---|
| Bi-fold | X |
| Clearview | X |
| Centerbar | X |
| Centerbar All Panels | X |
| Cabinet | ✓ |
| Clearview | X |
| Centerbar | ✓ |
| Single Hinge | ✓ |



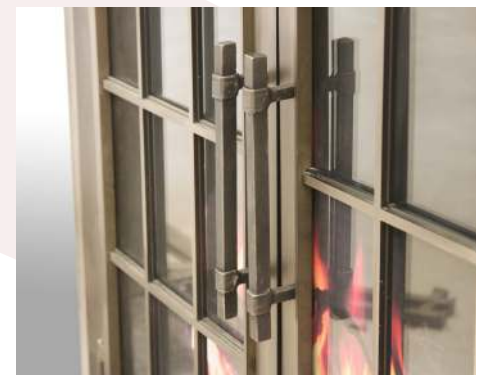
Antique White, Arch

Damper Styles

- | | |
|---------|---|
| None | ✓ |
| Hidden | ✓ |
| Slotted | ✓ |

Additional Info:

- Bi-fold n/a in finished sizes under 30"
- Pyro Ceramic glass only available with cabinet center bar or bifold center bar all-panels



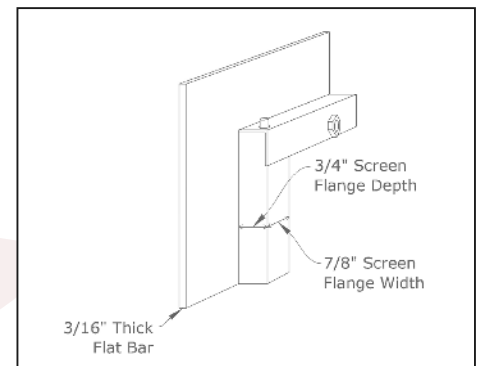
Frame Detail

Upgrade Options*

- | | |
|----------------------------|---|
| Pyro Ceramic Glass | ✓ |
| Child Proof Lock(Key Lock) | ✓ |
| Airwash | X |
| Airseal Option: Bifold | X |
| Airseal Option: Cabinet | ✓ |

Upgrade info:

- Pyro Ceramic option allows for doors to be closed when burning.



Main Frame Rear Profile

Decorative Designs & Hardware

The following decorative designs and hardware options may be applied to the Industrial Door.

Decorative Designs*

Arch Window Pane	X
Arch Door Design	X
Arch Door & Window Pane	X
Window Pane	X
C-Pane	X
Expedition Pane	X
X Design	X
Mission Pane	X
Rustic Window Pane	X

Mesh

Cabinet	✓
Single Mesh	✓
Pull Ring Mesh	✓
Hanging Mesh*	✓

Hinges

Traditional	X
Bullet	✓
Strap	X
Inset	X
Hidden Bullet	X
Hidden Soft-close	X

Handles

Square	✓
Wire	✓
Contemporary	✓
Decorative	✓
Designer	✓
Strap	✓
Bamboo	✓
Hampton	✓
Knob	✓
Craftsman	X
Old World	X
Blacksmith	X
Industrial	✓

Finishes

The following finishes are available for the Industrial Door.

Standard Finishes

Matte Black	✓
Textured Black	✓
Bronzed Iron	✓
Oil Rubbed Bronze	✓
Charcoal	✓
Aspire Rust	✓
Weathered Brown	✓
Champagne	✓
Copper Vein	✓
Rustic Vein	✓
Nickel Vein	✓
Vintage Vein	✓
Silver Vein	✓
Silver Mist	✓
Clear Natural	X

Premium Finishes*

Antique Black	X
Antique Steel	X
Antique Red	✓
Antique Grey	✓
Antique Bronze	✓
Antique White	✓
Burnished Bronze	✓
Burnished Copper	✓
Burnished Silver	✓
Metallic Latte	✓
Rust Patina	✓
Silver Crinkle	✓
Hot Roll Natural	✓
Industrial Black	✓

Overlay Finishes*

Brushed Copper	X
Brushed Chrome	X
Pewter	X
Gun Metal	X
Satin Brass	X
Polished Brass	X
Antique Brass	X

Plated Finishes*

Dark Pewter	X
Brushed Nickel	X
Polished Nickel	X
Black Nickel	X
Antique Copper	X
Aged Copper	X
Antique Brass	X
Satin Brass	X
Aged Brass	X

*may require additional upcharge

see component guide for further details