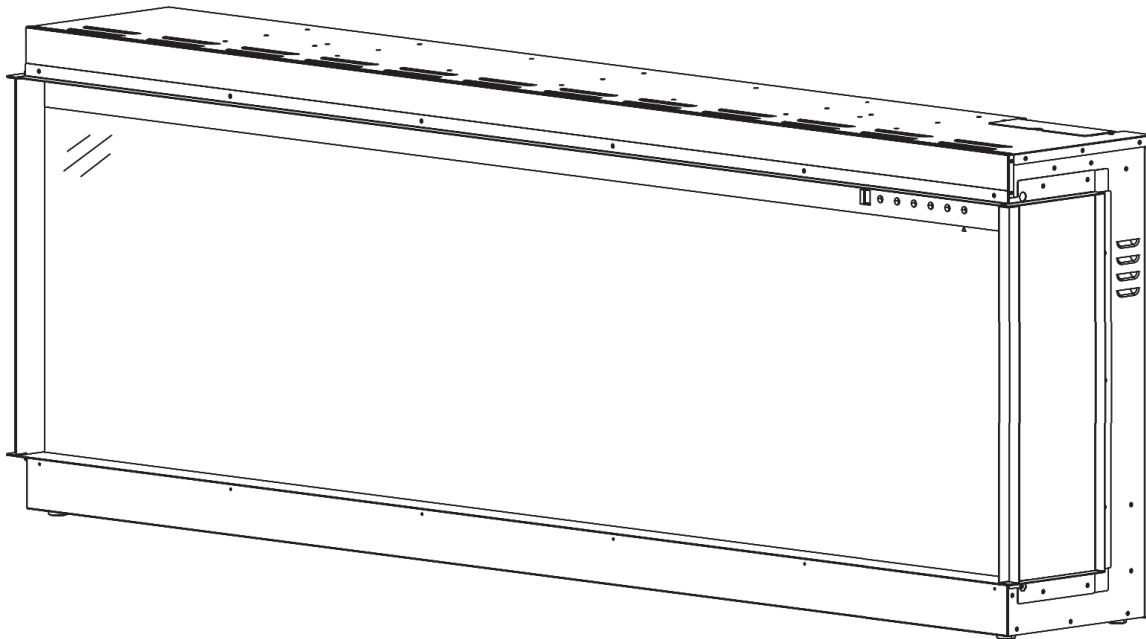




INSTALLATION AND OPERATION MANUAL

TriVista™ Series
(NEFB60H-3SV Illustrated)



SAFETY INFORMATION

⚠ WARNING

FIRE OR EXPLOSION HAZARD

If the information in these instructions are not followed exactly, a fire or explosion may result causing property damage, personal injury, or loss of life.

- Do not store or use gasoline or other flammable vapors and liquids in the vicinity of this or any other appliance.

INSTALLER:

Leave this manual with the appliance

CONSUMER:

Retain this manual for future reference



This appliance has a remote that requires button batteries that are hazardous to young children.

FOR INDOOR USE ONLY

**CERTIFIED TO THE CANADIAN AND AMERICAN NATIONAL STANDARDS:
CSA 22.2 NO. 46 / UL 2021**

APPLY SERIAL NUMBER LABEL FROM CARTON



Serial No. XXXXX00000
MODEL NO.



Wolf Steel Ltd., 24 Napoleon Rd., Barrie, ON, L4M 0G8 Canada / 103 Miller Drive, Crittenden, Kentucky, USA, 41030
Phone 1 (866) 820-8686 • www.napoleon.com • hearth@napoleon.com

WARNING

- **If equipped with a heater, this appliance can be hot when operated and can cause severe burns if contacted.**
- Do not operate appliance before reading and understanding operating instructions. Failure to operate appliance according to operating instructions could cause fire or injury.
- Do not install damaged, incomplete or substitute components.
- Do not burn wood or other materials in this appliance.
- All electric appliances have hot and arcing or sparking parts inside. Do not use it in areas where a gas line, paint or flammable liquids are present.
- Any safety screen or guard removed for servicing must be replaced prior to operating the appliance.
- It is imperative that the control compartments, circulating blower and its passageway in the appliance are kept clean. The appliance should be inspected before use and at least annually by a qualified service person. More frequent cleaning may be required due to excessive lint from carpeting, bedding material, etc. The appliance area must be kept clear and free from combustible materials, gasoline and other flammable vapors and liquids.
- Under no circumstances should this appliance be modified.
- Do not use this appliance if any part has been under water. Immediately call a qualified service technician to inspect the appliance and to replace any part of the control system which has been under water.
- If equipped with a glass door, do not operate the appliance with the glass door removed, cracked or broken. Replacement of the glass should be done by a licensed or qualified service person. Do not strike or slam shut the appliance glass door.
- Keep the packaging material out of reach of children and dispose of the material in a safe manner. As with all plastic bags, these are not toys and should be kept away from children and infants.
- Servicing should be done only while the appliance is disconnected from the power supply circuit.
- Always unplug appliance when not in use.
- Do not operate this appliance with a damaged cord or plug after the appliance malfunctions, has been dropped or damaged in any manner. Return appliance to authorized service facility for examination, electrical or mechanical adjustment, or repair.
- Do not use outdoors.
- When installing this appliance in a room where water is present, the installation must comply with codes recognizing the increased hazard of electrical shock and electrocution.

note:

This appliance is NOT suitable for installation in a bathroom.

- Do not run cord under carpeting. Do not cover cord with throw rugs, runners, or the like. Arrange cord away from traffic area and where it will not be tripped over.
- Connect to properly grounded outlets only.
- Do not insert or allow foreign objects to enter any ventilation or exhaust opening as this may cause an electric shock or fire, or damage the appliance.
- It is normal for your electric appliance to produce noise, especially when installed in a quiet space such as a bedroom.

 **WARNING**

- To prevent a possible fire, do not block air intakes or exhaust in any manner. Do not use on soft surfaces, like a carpet, where openings may become blocked.
- These appliances are tested and listed for use only with the optional accessories listed in these instructions. Use of optional accessories not specifically tested for this appliance could void the warranty and/or result in a safety hazard.

For appliances equipped with a heater:

- Risk of burns. Power to the appliance should be turned off and the appliance allowed to cool before servicing. To disconnect power to the appliance, turn controls to off then turn off power supply.
- Young children should be carefully supervised when they are in the same room as the appliance. Toddlers, young children and others may be susceptible to accidental contact burns. A physical barrier is recommended if there are at risk individuals in the house. To restrict access to an appliance or stove, install an adjustable safety gate to keep toddlers, young children and other at risk individuals out of the room and away from hot surfaces.
- Clothing or other flammable material should not be placed on or near the appliance.
- Due to high temperatures, the appliance should be located out of traffic and away from furniture and draperies.
- Ensure you have incorporated adequate safety measure to protect infants/toddlers from touching hot surfaces.
- Even after the appliance is off, the glass and/or screen will remain hot for an extended period of time.
- Check with your local hearth specialty dealer for safety screens and hearth guards to protect children from hot surfaces. These screens and guards must be fastened to the floor.
- Ensure clearances to combustibles are maintained when building a mantel or shelves above the appliance. Elevated temperatures on the wall or in the air above the appliance can cause melting, discolouration or damage to decorations, a TV or other electronic components.


 **WARNING:** This product can expose you to chemicals including lead and lead compounds, which are known to the State of California to cause cancer, and chemicals including BBP and DEHP, which are known to the State of California to cause birth defects or other reproductive harm. For more information, go to www.P65Warnings.ca.gov.

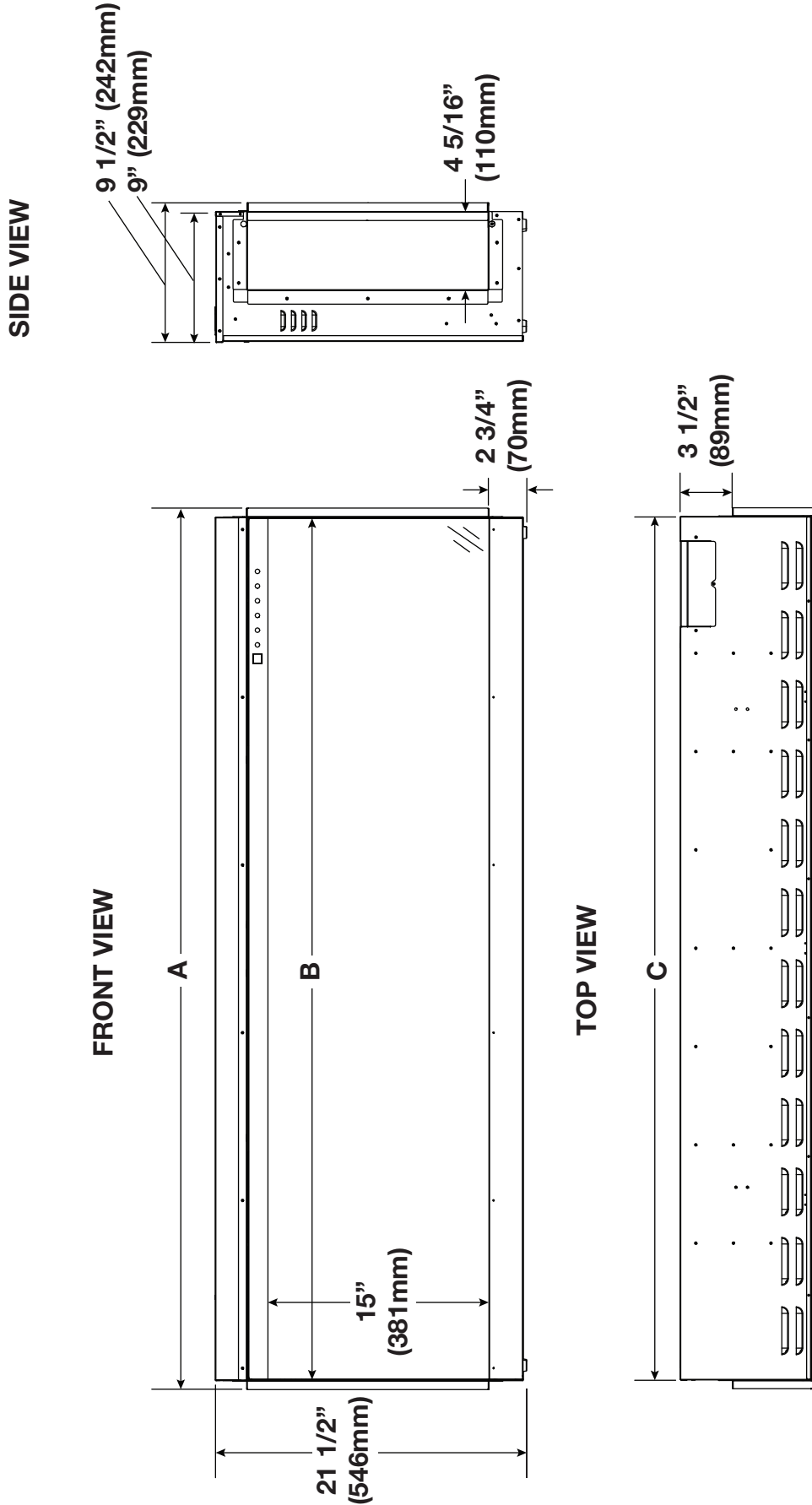
table of contents

1.0	general information	5
1.1	dimensions	5
1.2	listing approvals	6
1.3	general instructions	6
1.4	unpacking the appliance	7
1.5	hardware list	7
1.6	rating plate information	8
1.7	label location	8
2.0	installation overview	9
3.0	installation	10
3.1	locating the appliance	10
3.2	grounding the appliance	11
3.3	minimum clearance to combustibles	11
3.4	minimum mantel clearances	11
3.5	rough framing	12
3.6	three-sided, two-sided, and single-sided viewing pre-installation	13
3.7	three-sided, two-sided, and single-sided viewing installation	14
3.7.1	three-sided viewing installation	14
3.7.2	two-sided viewing installation	14
3.7.3	single-sided viewing installation	15
3.8	three-sided, two-sided, and single-sided viewing post-installation	15
4.0	electrical information	16
4.1	NEFB50H-3SV wiring diagram	16
4.2	NEFB60H-3SV wiring diagram	17
4.3	hard-wiring introduction and preparation	18
4.4	120V hard-wiring	18
4.5	240V hard-wiring	19
4.6	securing and testing	19
5.0	operating instructions	20
5.1	operating control panel	20
5.2	operating remote control	21
5.3	remote battery installation	22
6.0	finishing	23
6.1	finishing materials	23
6.1.1	screw-safe areas	23
6.1.2	installing combustible and non-combustible materials	24
6.2	media installation	25
6.3	front glass installation / removal	26
7.0	maintenance	26
8.0	replacement parts	27
8.1	NEFB50H-3SV overview	28
8.2	NEFB60H-3SV overview	29
9.0	troubleshooting	30
10.0	warranty	32
11.0	notes	33

note:

The information throughout this manual is believed to be correct at the time of printing. Wolf Steel Ltd. reserves the right to change or modify any information within this manual at any time without notice. Changes, other than editorial, are denoted by a vertical line in the margin.

1.1 dimensions



Ref.	NEIFB50H-3SV	NEIFB60H-3SV
A	50" (1270mm)	60" (1524mm)
B	48 5/8" (1235mm)	58 5/8" (1490mm)
C	48 13/16" (1240mm)	58 13/16" (1494mm)

general information

1.2 listing approvals

Model No.	NEFB50H-3SV	NEFB60H-3SV
Description	50" three-sided viewing electric appliance	60" three-sided viewing electric appliance
Voltage	120V/240V AC	
Watts	Max. 1500W/3000W	
Amps	Dedicated 15 AMP grounded circuit	
Appliance Width	50" (1270mm)	60" (1524mm)
Appliance Height	21 1/2" (546mm)	
Appliance Depth	9 1/2" (241mm)	
Net Weight	77.0 lbs (35.0 kg)	88.0 lbs (40kg)
Gross Weight	113.5 lbs (51.5 kg)	131.0 lbs (59.3 kg)

This appliance has been tested in accordance with the CSA Standards for fixed and location-dedicated electric room appliances in the United States and Canada. If you need assistance during installation, please contact your local dealer.

note:

This appliance must be electrically wired and grounded in accordance with local codes or, in the absence of local codes, with the latest edition of the National Electrical Code ANSI/NFPA 70 in the United States or the Canadian Electrical Code CSA C22.1 in Canada.

1.3 general instructions

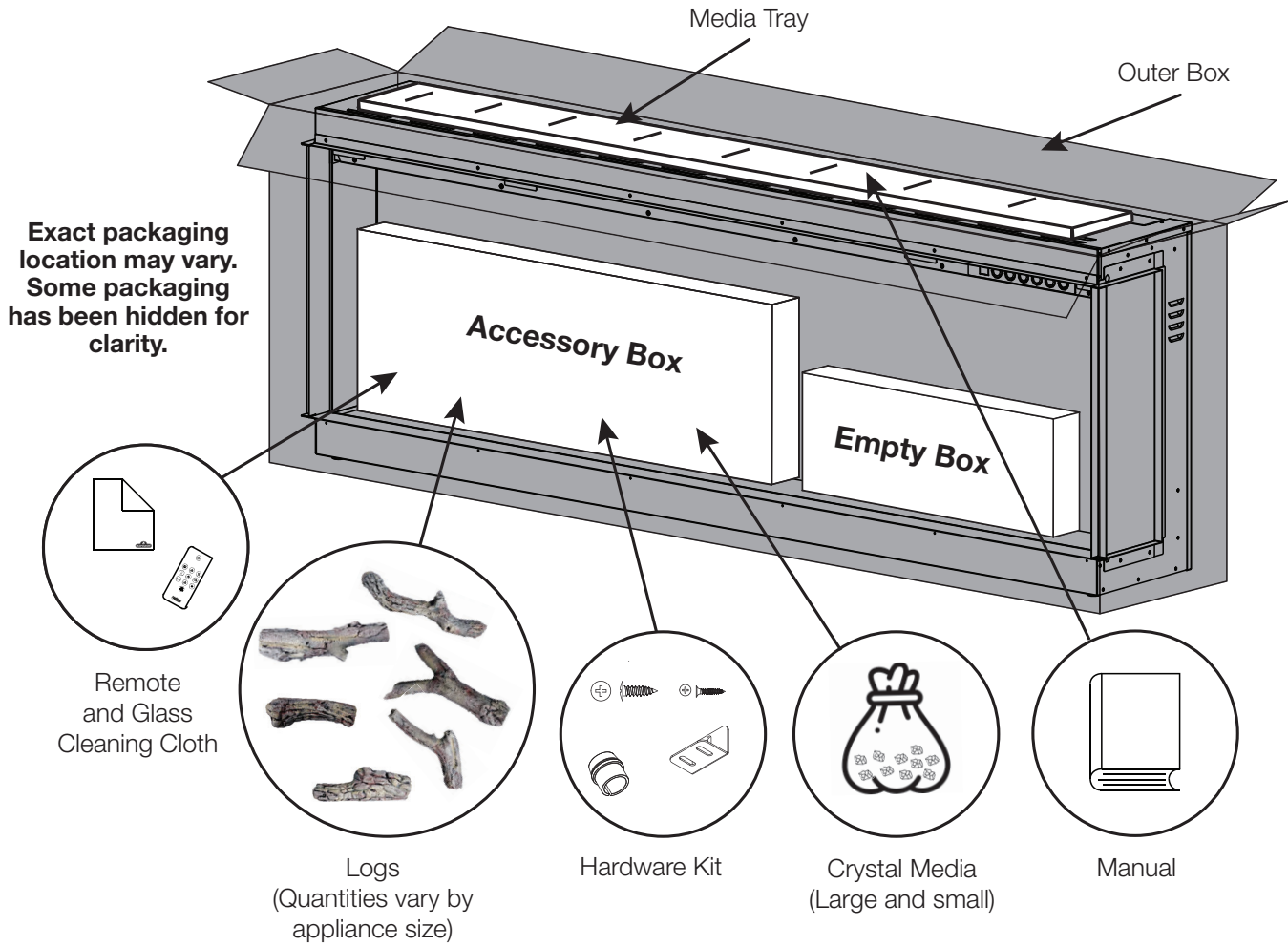
- This appliance is designed to be fully recessed into an enclosure. It is capable of three unique configurations.
- Ensure to test the appliance once installed into the rough-in framing to verify all functions are performing as intended.
- Finishing materials must be installed in front of the appliance for **all** installation configurations.
- This appliance can be serviced while it is in an enclosure; however, if the appliance is removed from the enclosure, the finishing materials must also be removed.
- The appliance may emit a slight, harmless odour when first used. This odour is normal and it is caused by the initial heating of internal appliance elements and will not occur again.
- This appliance is equipped with two blower and heater assemblies. One is in use for 120V, whereas two are in use for 240V.
- If your appliance does not emit heat when called for, consult the "operation" section of this manual for further information.
- Use with a CSA or UL certified surge protector.
- Do not route the power cord directly underneath the appliance.

This electric appliance meets the construction and safety standards of H.U.D. for application in manufactured homes when installed according to these instructions.

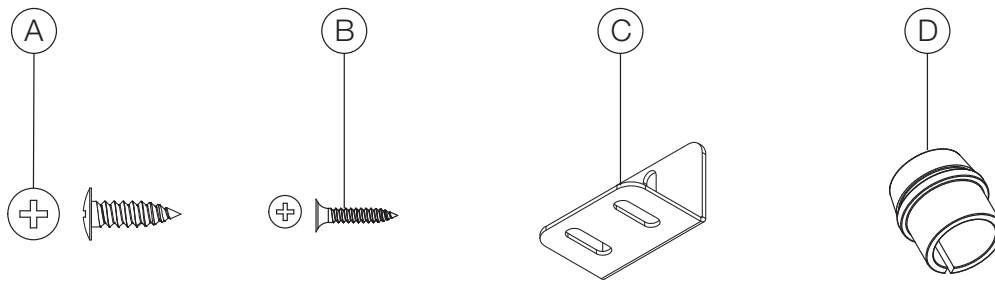
As with most electronic devices, your new electric appliance has been designed to operate at temperatures between 5°C (41°F) and 35°C (95°F). During the colder winter months, allow the appliance to reach room temperature before turning it on.

1.4 unpacking the appliance

Ensure to unpack this appliance with 2 people. Reference the hardware list (see “hardware list” section) to prepare for installation.



1.5 hardware list



	Description	Quantity	
		NEFB50H-3SV	NEFB60H-3SV
A	ST4x12 metal screws	6	
B	Flat head screws	3	4
C	Metal bracket	6	
D	Strain relief	1	

general information

1.6 rating plate information

The below illustration is for reference only. Refer to the appliance rating plate for accurate information.

CERTIFIED UNDER CANADIAN AND AMERICAN NATIONAL STANDARD: CSA 22.2 NO. 46 AND UL 2021 / HOMOLOGUÉ SELON LES NORMES NATIONALES CANADIENNES ET AMÉRICAINES: CSA 22.2 NO. 46 UL 2021

ELECTRIC FIREPLACE. SUITABLE FOR BEDROOM AND BED-SITTING ROOM INSTALLATION. SUITABLE FOR MOBILE HOME INSTALLATION.

FOYER ÉLECTRIQUE. HOMOLOGUÉ POUR INSTALLATION DANS UNE CHAMBRE À COUCHER, UNE SALLE DE BAIN ET UN STUDIO. APPROPRIÉ POUR L'INSTALLATION DANS UNE MAISON MOBILE.

MASTER CONTRACT: 161746 **CONTRACT ADRE: 161746**

NEFB50H-3SV MODEL / MODÈLE NEFB50H-3SV

VOLTAGE: 120/240V **TENSION: 120/240VCA**
FREQUENCY: 60Hz **FREQUENCE: 60Hz**
POWER: 1500/3000W **PUISSANCE: 1500/3000W**
DATE CODE: **CODE DE DATE:**
DESIGNED IN NORTH AMERICA DÉSIGNÉ EN AMÉRIQUE DE
BY WOLF STEEL LTD. NORD PAR WOLF STEEL LTD.
MADE IN CHINA FABRIQUÉ EN CHINE

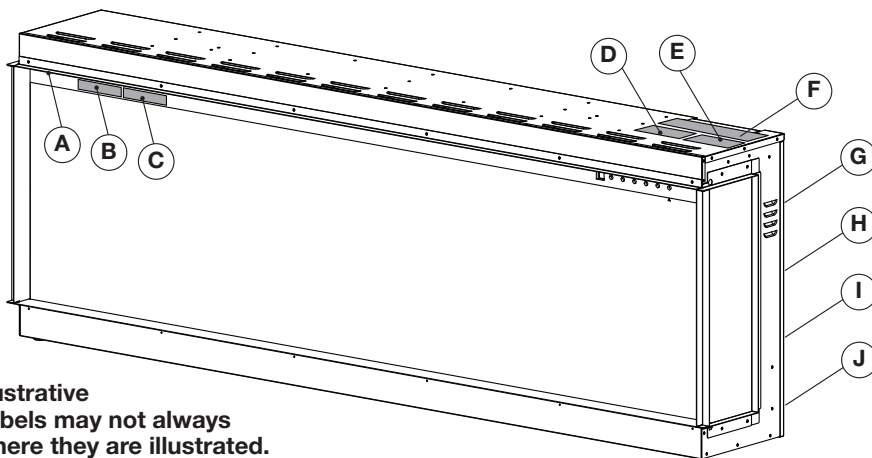
WOLF STEEL LTD.
24 NAPOLEON ROAD,
BARRIE, ON, L4M 0G8 CANADA

SERIAL NUMBER/NO. DE SÉRIE: NEFB50H W385-2354

note:

The rating plate must remain with the appliance at all times. It must not be removed.

1.7 label location



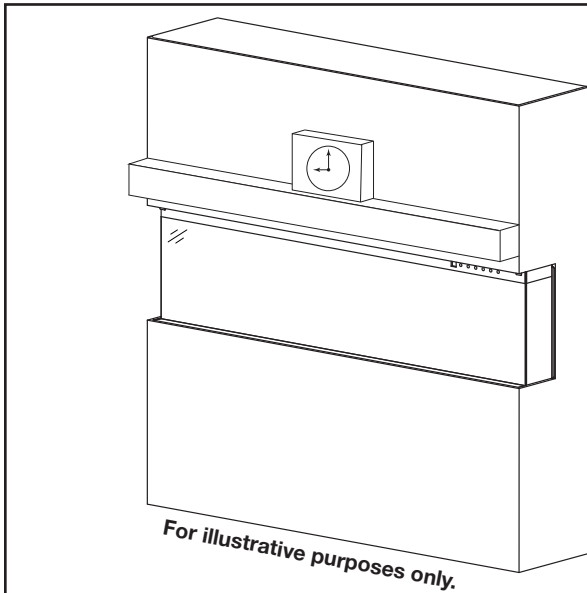
Images are for illustrative purposes only. Labels may not always appear exactly where they are illustrated.

	Part Number		Label Description
	NEFB50H-3SV	NEFB60H-3SV	
A	N/A		Model & Serial Number *
B	W385-2017		"Hot Surface"
C	W385-2210		"Do Not Cover"
D	W385-2365		120V Hard-Wiring
E	W385-2366		240V Hard-Wiring
F	W385-2390		Hard-Wiring Warning
G	W385-2354 **	W385-2355 **	Rating Plate
H	W385-2364 **	W385-4506 **	Wiring Diagram
I	W385-2167 **		"Caution"
J	W385-2163 **		"Warning"

* Located beneath the top trim, left corner.

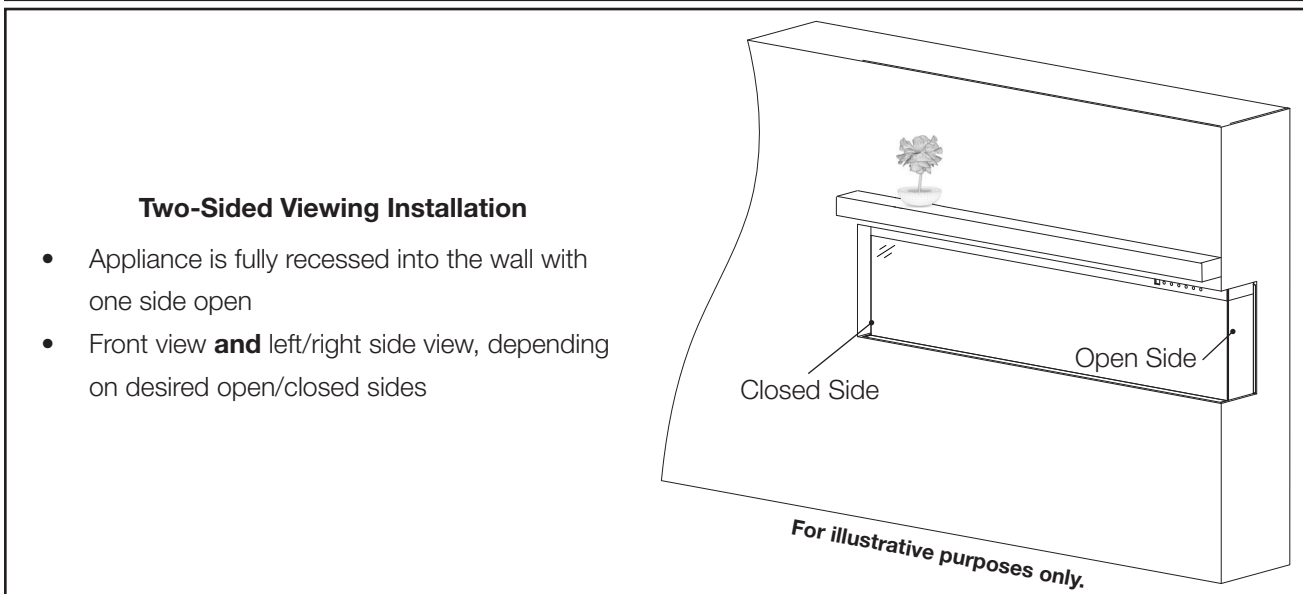
** Located on back side of appliance.

Your appliance is capable of three unique installation configurations: **three-sided**, **two-sided**, and **single-sided**.



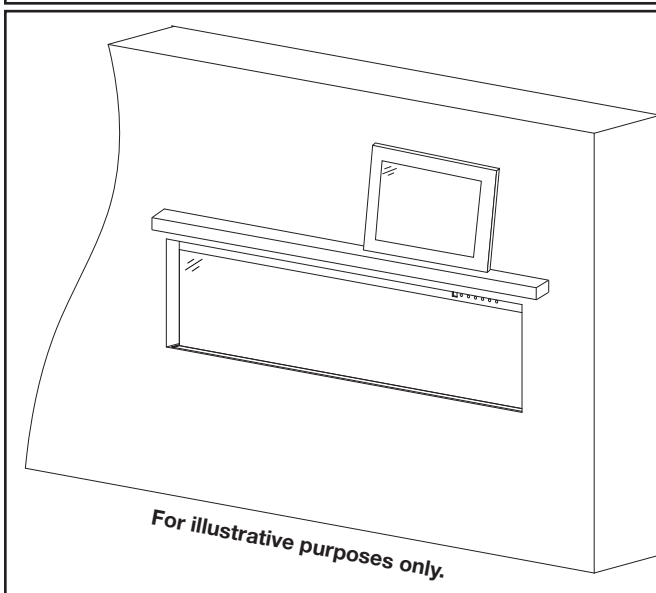
Three-Sided Viewing Installation

- Appliance is fully recessed into the wall with both sides open
- Front, left, **and** right side views



Two-Sided Viewing Installation

- Appliance is fully recessed into the wall with one side open
- Front view **and** left/right side view, depending on desired open/closed sides



Single-Sided Viewing Installation

- Appliance is fully recessed into the wall
- Front view **only**
- Left and right side views are covered

3.0 installation

WARNING

- Risk of fire! The power cord must not be pinched against a sharp edge. Secure cord to avoid tripping or snagging to reduce the risk of fire, electric shock, or personal injury. Do not run cord under carpeting. Do not cover cord with throw rugs, runners, or similar items. Arrange cord away from traffic areas and where it will not be tripped over.
- Risk of fire! To prevent a possible fire, do not block air intake or exhaust in any manner. Do not use on soft surfaces where openings may become blocked.
- Risk of fire! Do not blow or place insulation against the appliance.
- This electric appliance is tested and listed for use only with the approved optional accessories. Use of optional accessories not specifically tested for this electric appliance could void the warranty and/or result in a safety hazard.
- If the information in these instructions is not followed exactly, a fire or explosion may result causing property damage, personal injury, or death. Do not store or use gasoline or other flammable vapors in the vicinity of this or any other appliance.
- This appliance is heavy. It is highly recommended that two people install this appliance.
- If your appliance is equipped with a heater, ensure the heater vents cannot, in any way, be covered as it may create a fire hazard.
- Do not run the power cord horizontally, directly below the appliance.

Your appliance is recessed into the wall. Select a suitable location that is not susceptible to moisture and is away from drapes, furniture and high traffic areas.

note:

Follow all national and local electrical codes.

3.1 locating the appliance

WARNING

- Due to high temperatures, this electric appliance should be located out of traffic. Keep combustible materials such as furniture, pillows, bedding, clothes, curtains, and similar items at least 36" (91.4cm) from the front of the appliance.
- Never locate this electric appliance where it may fall into a bathtub or other water container.
- Wear safety gloves and safety glasses for protection during installation and maintenance.
- To prevent contact with sagging or loose insulation, the electric appliance must not be installed against vapor barrier or exposed insulation. Localized overheating could occur, possibly resulting in a fire.
- Do not expose the electric appliance to the elements (i.e. rain, snow, etc.)

3.2 grounding the appliance

! WARNING

- A bonded/grounded power source is **mandatory** for this appliance.
- This appliance must be connected to a dedicated 15 amp circuit. The use of an extension cord is NOT permitted.

3.3 minimum clearance to combustibles

Clearance to Combustibles	
Bottom, Sides, Back, and Top	0"

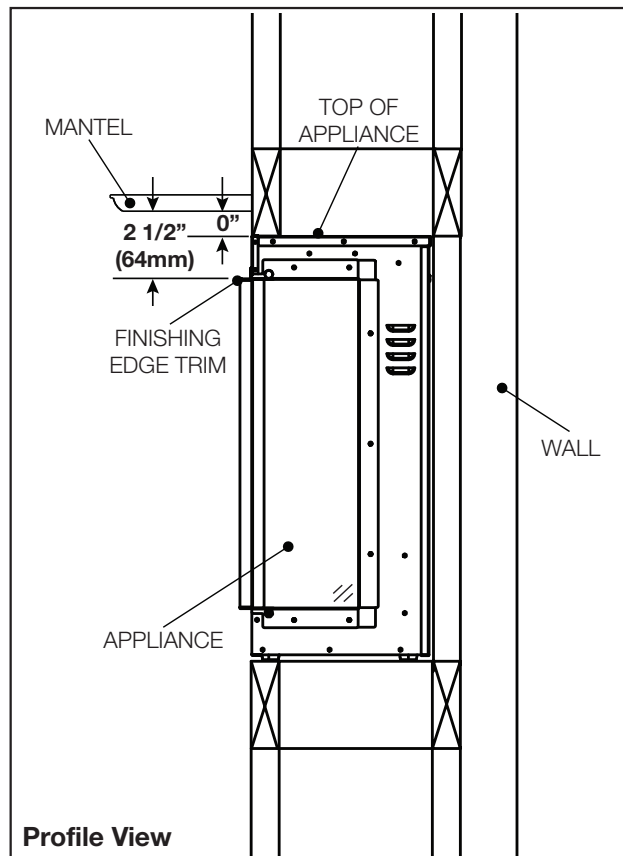
note:

Measurements are taken from the top of the appliance.

3.4 minimum mantel clearances

! WARNING

- When using paint or lacquer to finish the mantel, the paint or lacquer must be heat resistant to prevent discoloration.

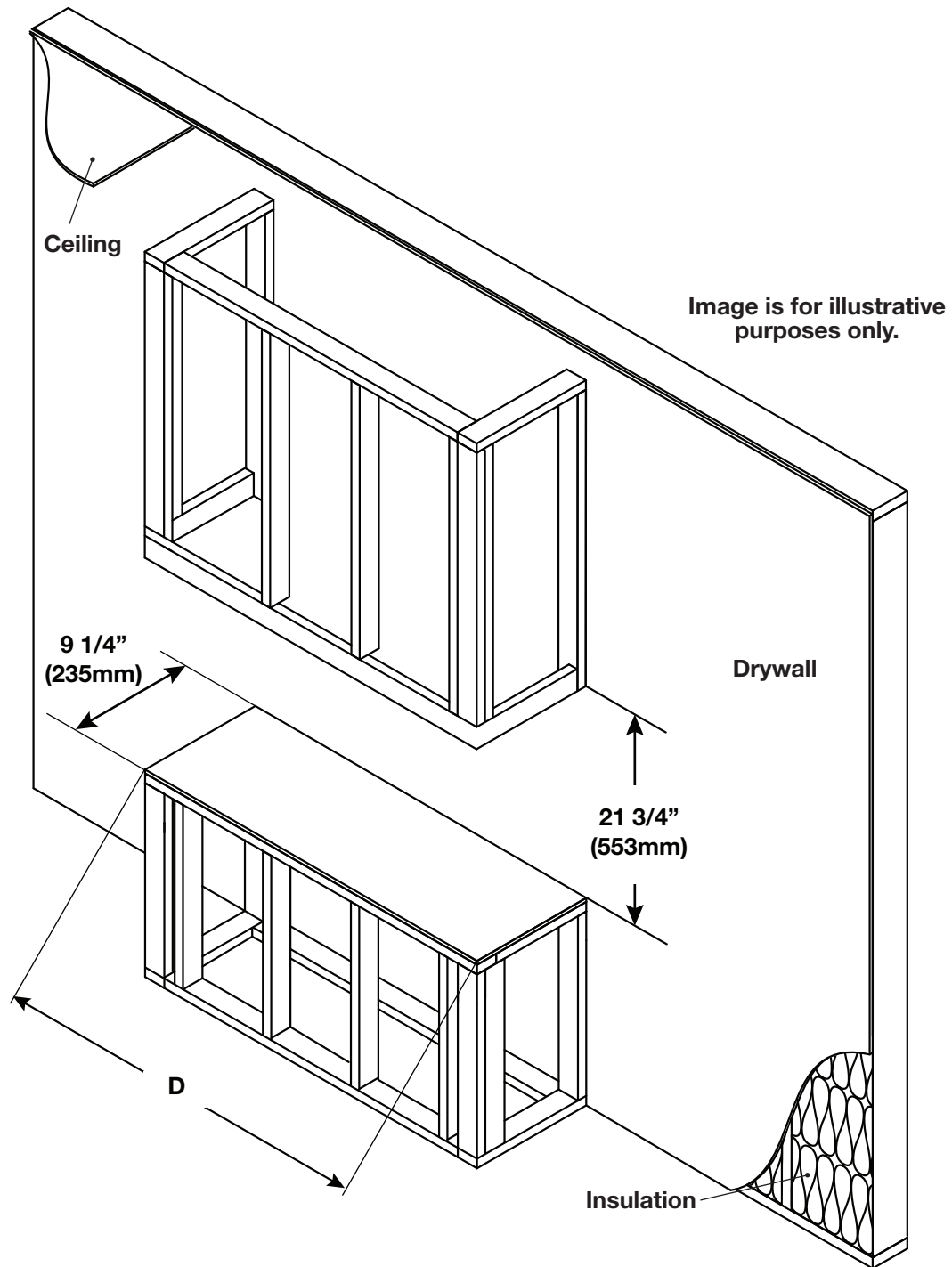


note:

Minimum mantel height is 0" above the top of the appliance, or 2 1/2" (64mm) above the finishing edge trim. This is due to the reinforced framing behind the finishing materials.

installation

3.5 rough framing



Ref.	NEFB50H-3SV	NEFB60H-3SV
D	49" (1245mm)	59" (1498mm)

note:

Appliance is **NOT** load-bearing. Carefully consider weight of finishing materials when constructing rough framing.

Ensure installation complies with all local building codes and requirements.

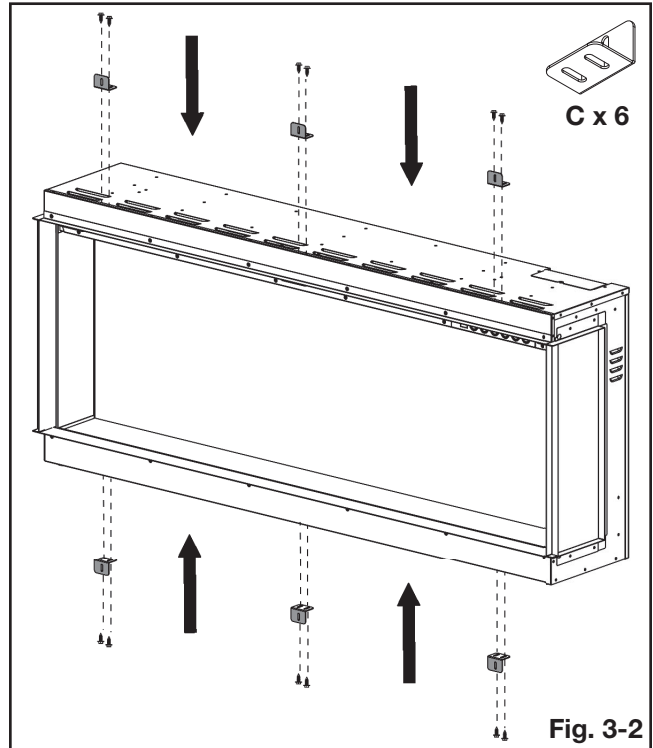
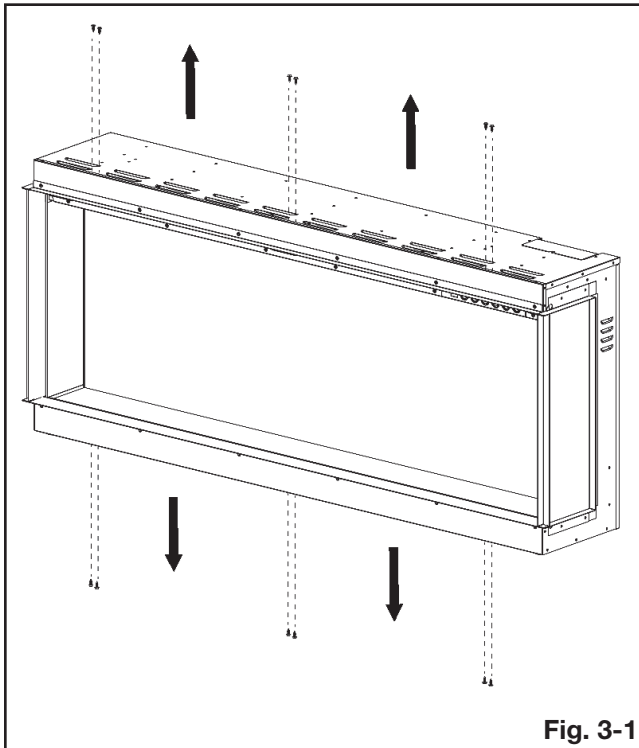
All viewing options (single-sided, two-sided [left and right], and three-sided) use the same framing dimensions.

3.6 three-sided, two-sided, and single-sided viewing pre-installation

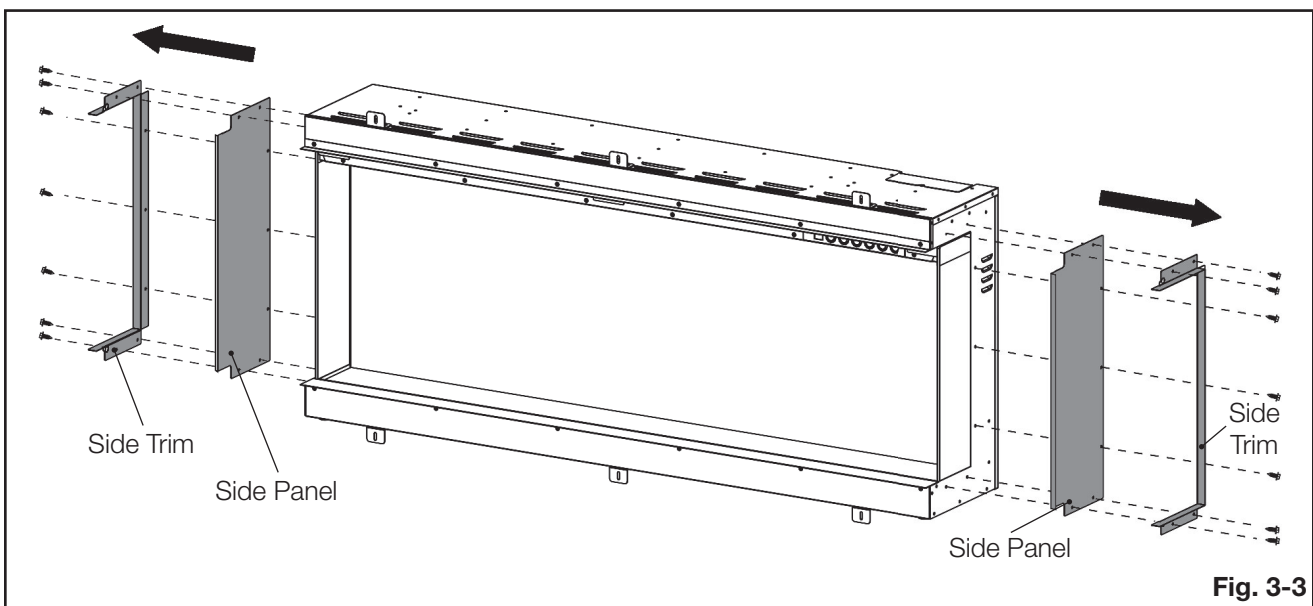
note:

It is recommended to lay the appliance on a stable surface before pre-installation.

1. Remove the 12 screws and washers from the top and bottom of the appliance (**Fig. 3-1**).
2. Install the 6 metal brackets (supplied) using the 12 screws and washers previously removed (**Fig. 3-2**).



3. Remove the side trims and side panels from both sides of the appliance by removing the 14 screws (**Fig. 3-3**). Set the side trims, side panels, and screws aside.



installation

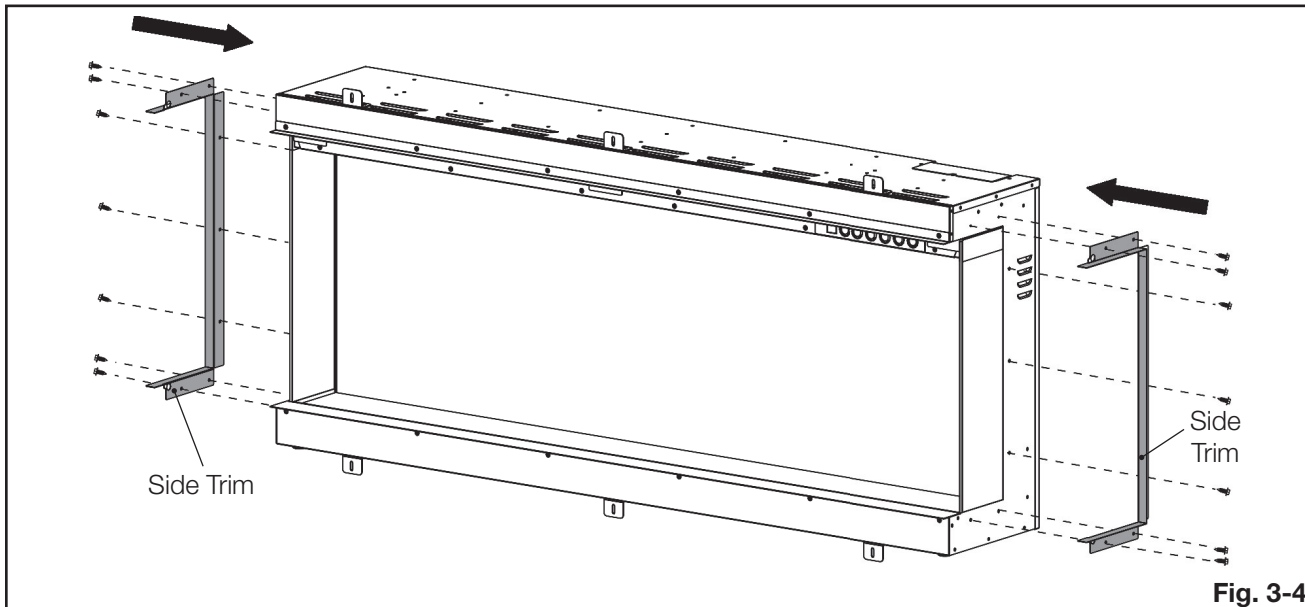
3.7 three-sided, two-sided, and single-sided viewing installation

3.7.1 three-sided viewing installation

note:

When installed with both sides open, the appliance will have a front view, as well as left- and right-sided views.

1. Re-secure both side trims using the 14 screws previously removed (**Fig. 3-4**).

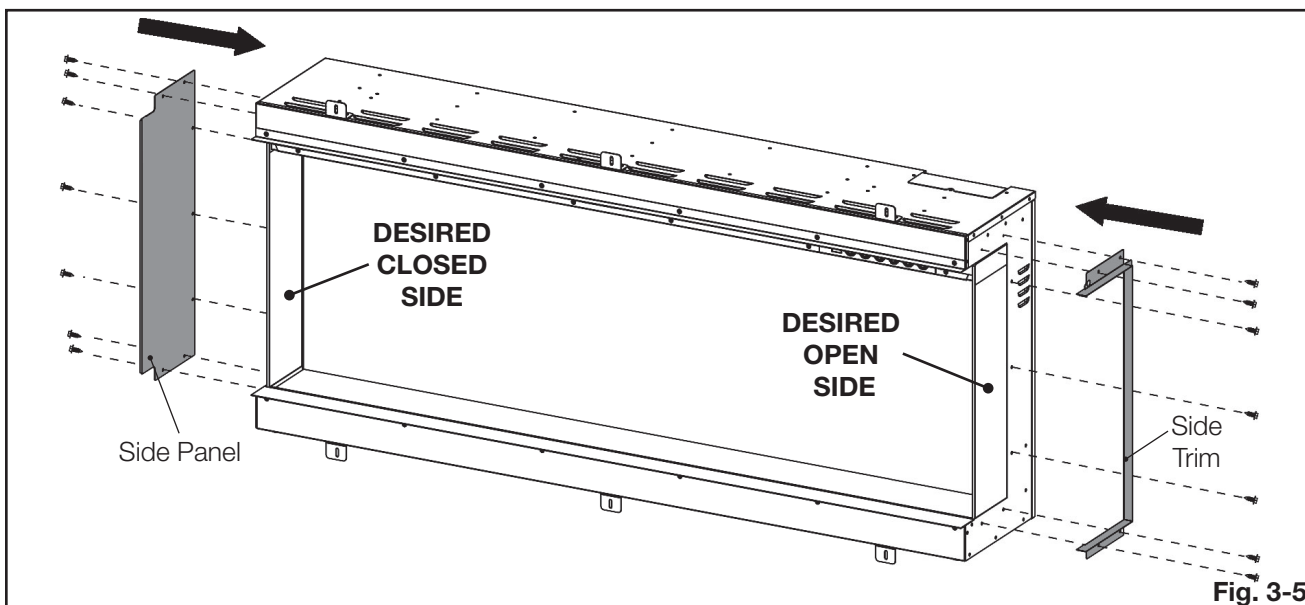


3.7.2 two-sided viewing installation

note:

When installed fully recessed into the wall with one side open, the appliance will have a front view and left- or right-sided view depending on desired open side.

1. For desired open side, re-secure the side trim using the 7 screws previously removed (**Fig. 3-5**).
2. For desired closed side, re-secure the side panel using the 7 screws previously removed (**Fig. 3-5**).

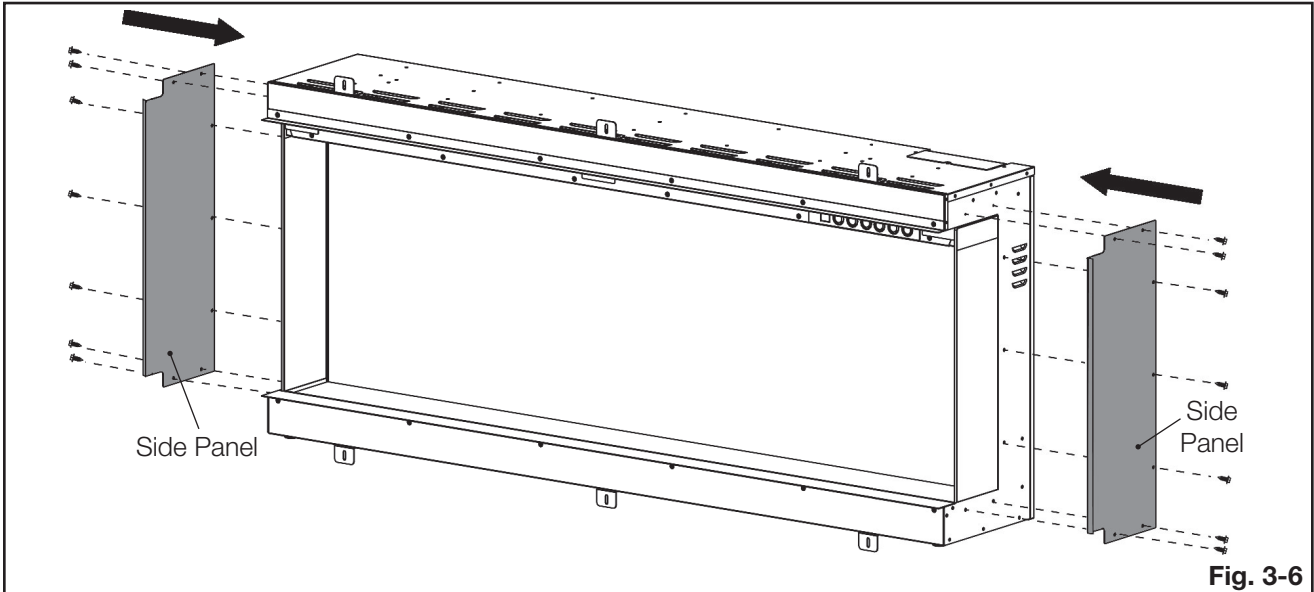


3.7.3 single-sided viewing installation

note:

When installed fully recessed into the wall with both left and right sides covered, the appliance will have a front view only.

1. Re-secure both side panels using the 14 screws previously removed (**Fig. 3-6**).



3.8 three-sided, two-sided, and single-sided viewing post-installation

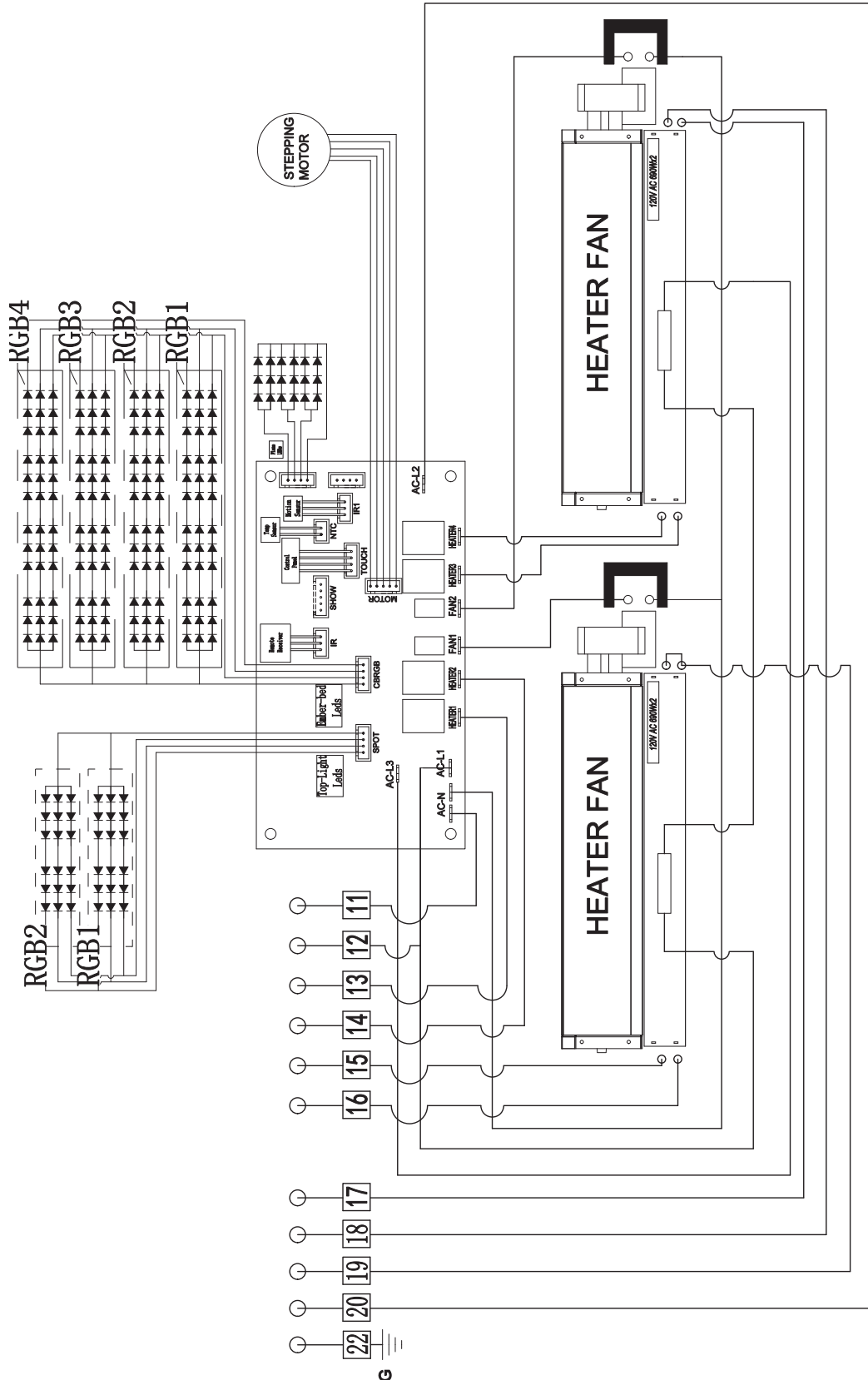
1. Complete wiring (see “electrical information” section).
2. Secure and test the appliance (see “securing and testing” section).
3. Install finishing materials (see “finishing” section).

4.0 electrical information

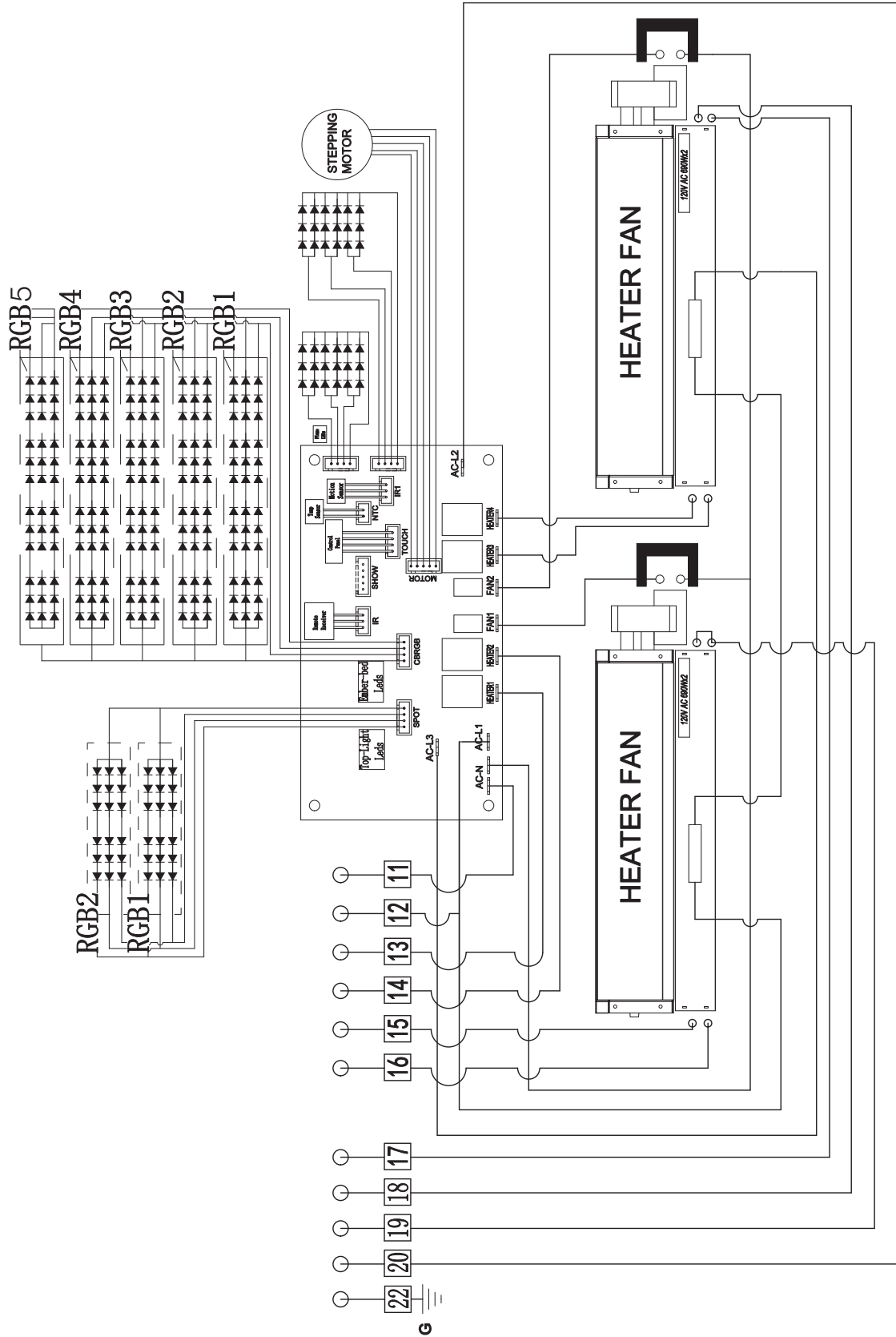
! WARNING

- Turn off the appliance completely and let cool before servicing. Only a qualified person should service and repair this electric appliance.

4.1 NEFB50H-3SV wiring diagram



4.2 NEFB60H-3SV wiring diagram



electrical information

4.3 hard-wiring introduction and preparation

! WARNING

- Turn off the appliance completely and let cool before servicing. Only a qualified person should service and repair this electric appliance.

HARD-WIRING CONNECTION

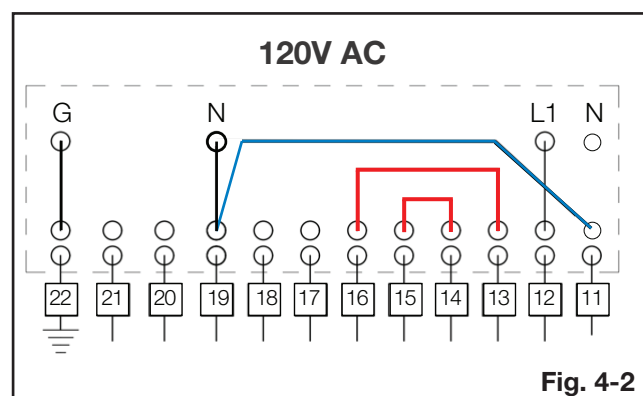
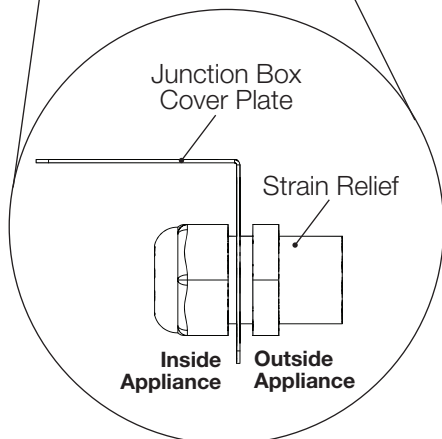
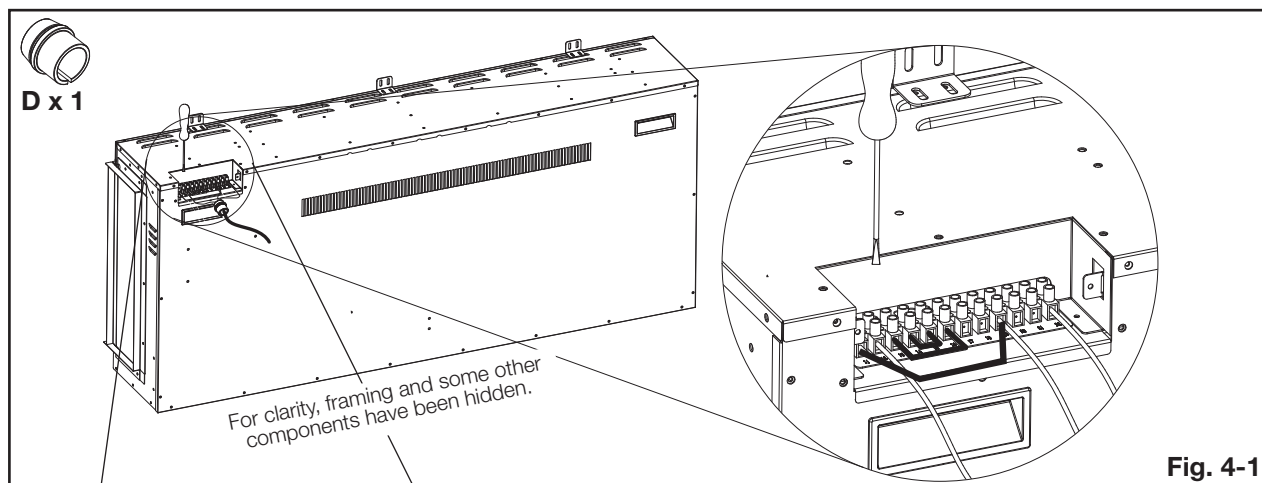
It is necessary to hard-wire this appliance. A qualified electrician must wire the appliance directly to the household wiring. The wire and power supply breaker must be rated for 120V, minimum 15 amps.

This appliance must be electrically wired and grounded in accordance with local codes or, in the absence of local codes, with the latest edition of the National Electrical Code ANSI/NFPA 70 in the United States or the Canadian Electrical Code CSA C22.1 in Canada.

1. Locate the desired 14/2 or 14/3 wire conductors to the top right side of the enclosure for the hard-wiring installation based on the desired 120V or 240V heat output capability.
2. Remove the junction box cover.
3. Place the appliance into the rough-in framing, inserting it far enough into the enclosure to locate the supply wires to the terminal block.
4. Insert the wires from your home through the junction box cover plate with the strain relief (supplied) and locate the wires to the specified terminal block location based on desired voltage selection (**Fig. 4-1 or 4-3**).

4.4 120V hard-wiring

1. Ensure the factory-installed jumper wires join terminals 13 to 16, 14 to 15, and 11 to 19.
2. Insert the ground/bond wire into terminal 22, and L1 wire into terminal 12.
3. Loosen terminal 19. Insert the Supply neutral wire into terminal 19 along with the jumper wire that connects to terminal 11 (**Fig. 4-2**).
4. Re-install the junction box cover plate.



4.5 240V hard-wiring

1. Relocate the factory-installed jumper wires to join terminals 15 to 18, 16 to 17, and 12 to 19.
2. Insert the ground/bond wire to terminal 22 and the supply neutral wire into terminal 11.
3. Insert L2 wire into terminal 20.
4. Loosen terminal 19. Insert L1 wire into terminal 19 along with the jumper wire that connects to terminal 12 (Fig. 4-4).
5. Re-install the cover plate.

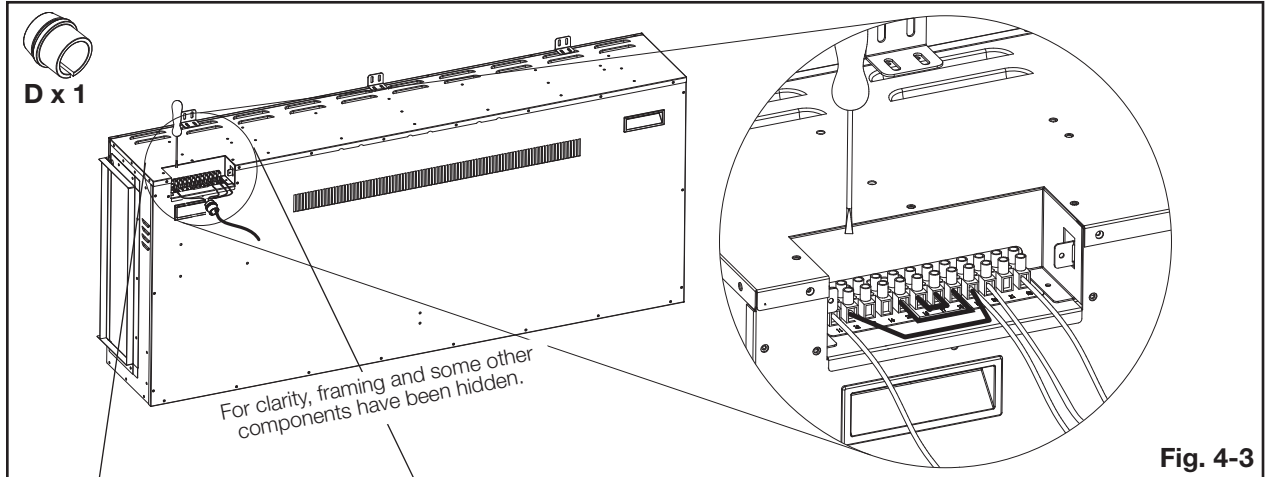


Fig. 4-3

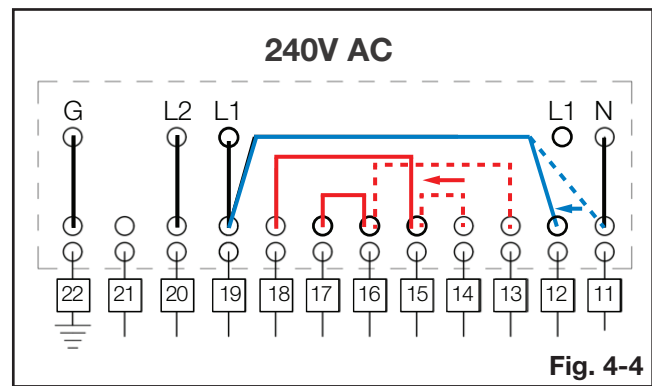
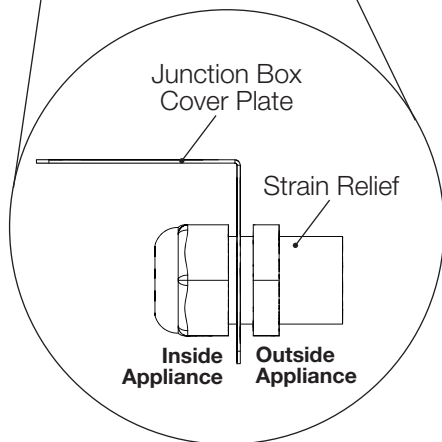


Fig. 4-4

4.6 securing and testing

1. Secure the appliance to the rough-in framing by installing 6 screws (supplied) through the metal brackets (Fig. 4-5).
2. Turn on the power supply and test all functions of the appliance (see “operation instructions” section).

note:

If any functions do not operate to the specifications of this manual, review wire configurations and/or call Napoleon Customer Solutions at 1-866-820-8686.

3. Install finishing materials (see “finishing” section).

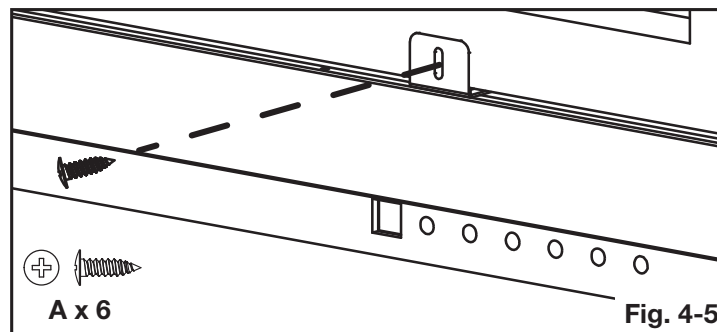


Fig. 4-5

5.0 operating instructions

WARNING

- Ensure the house circuit breakers for the power supply are turned on. When initially connecting the appliance to a power source, the appliance will make a beeping sound to indicate standby mode.







Once the appliance has been hard-wired to a dedicated 120V / 240V power supply, it is ready to operate. This appliance is equipped with two blower and heater assemblies. One is in use for 120V, whereas two are in use for 240V.

5.1 operating control panel

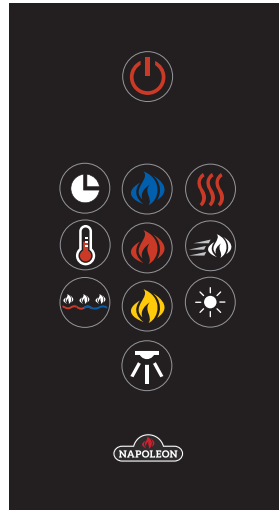












note:

This appliance is equipped with a motion sensor. The display panel will turn on when it detects motion within 8" (200mm) below the touch control panel.

Power		Turns the appliance on / off.
Temperature Control		Controls appliance temperature. Settings: 18°C (64°F), 19°C (66°F), 20°C (68°F), 21°C (70°F), 22°C (72°F), 23°C (74°F), 24°C (76°F), 25°C (78°F), 26°C (80°F), 27°C (82°F) and OFF. NOTE: When setting °C or °F, the temperature control is OFF. Holding the button for 5s will switch the temperature from °C to °F or vice versa.
Timer		Turns the timer on / off. Settings: 0 (--), 30 min., 1h, 2h, 3h, 4h, 5h, 6h, 7h, 8h
Heater Control		Turns the heater and blower on / off. Settings: H0 - Heater and blower off bL - Blower on H1 - Low heat H2 - High heat NOTE: Heater function can be disabled/enabled by holding the button for 5s. When the heater function is disabled, the "LO" will be displayed.
Blue Flame		Controls flame brightness. Settings: F0 - Flame off F1 - Small flame F2 - Medium flame F3 - Bright flame F4 - Brightest flame
Orange Flame		

5.2 operating remote control



Power		Turns the appliance on / off.	Ember Bed Color		Controls the colour of the ember bed for brightness setting b1- b4. Settings: 01 - Yellow 02 - Red 03 - Blue 04 - Lime 05 - Green 06 - Violet 07 - Light blue 08 - Magenta 09 - Bright white 10 - Pink 11 - Dim white 12 - Light green 13 - Light orange 14 - Cycle through colours 15 - Lock the desired colour during cycle 00 - OFF
Blue Flame		Controls flame brightness.	Ember Bed Brightness		Controls the brightness of the ember bed light for colour setting 01 - 13 and 15. Settings: b1 - Low b2 - Medium b3 - Bright b4 - Brightest b5 - Breath effect
Orange Flame		Settings: F0 - Flame off F1 - Small flame F2 - Medium flame F3 - Bright flame F4 - Brightest flame	Timer		There are 10 timer settings: 0 (--), 30 min., 1h, 2h, 3h, 4h, 5h, 6h, 7h, 8h.
Yellow Flame			Heater		Temperature Control
		Turns the heater and blower on / off. Settings: H0 - Heater and blower off bL - Blower on H1 - Low heat H2 - High heat NOTE: Heater function can be disabled/enabled by holding the button for 5s. When the heater function is disabled, the "LO" will be displayed.			There are 11 temperature settings: 18°C (64°F), 19°C (66°F), 20°C (68°F), 21°C (70°F), 22°C (72°F), 23°C (74°F), 24°C (76°F), 25°C (78°F), 26°C (80°F), 27°C (82°F) and OFF. NOTE: When setting is °C or °F, the temperature control is OFF. Holding the button for 5s will switch the temperature from °C to °F or vice versa.
Flame Speed		Controls the flame speed for each colour flame. Settings: 1 - Slowest 2 3 4 5 - Fastest	Top Light		The top light colour rotation is the same as the ember bed colour rotation. See "ember bed colour" section for more details.

operating instructions

5.3 remote battery installation

WARNING

- This remote control requires button batteries that are hazardous to young children.
- **WARNING! KEEP BATTERIES OUT OF REACH OF CHILDREN.**
- Swallowing may lead to serious injury or death in as little as 2 hours due to chemical burns and potential perforation of the oesophagus.
- If you suspect your child has swallowed or inserted a button battery, immediately seek urgent medical assistance.
- Examine devices and make sure the battery compartment is correctly secured (i.e. that the screw or other mechanical fastener is tightened). Do not use if compartment is not secure.
- Dispose of used button batteries immediately and safely. Flat batteries can still be dangerous.
- Tells other about the risks associated with button batteries and how to keep their children safe.



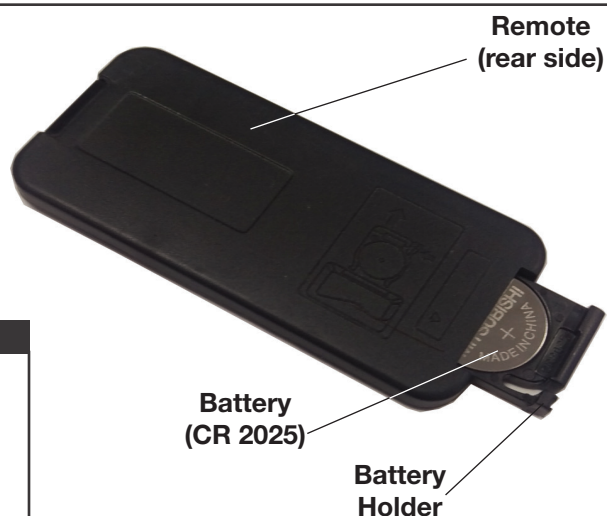
note:

The remote control has a removal plastic tab to prolong the battery life while shipping. Remove the tab for the remote control to function.

1. To replace the existing battery, remove the battery holder.
2. To remove the battery holder, turn the remote onto its front side. Slide the battery holder outwards.
3. Replace the existing battery holder with a new battery (type CR 2025). Slide the battery holder back into position.
4. The battery holder is secure onto the remote control when a “CLICKING” noise is heard.

note:

The remote control must remain within 5 meters (17 feet) of the appliance to be effective. This range may be reduced when battery power is depleted. The remote control must be aimed at the centre of the appliance for it to function most effectively.



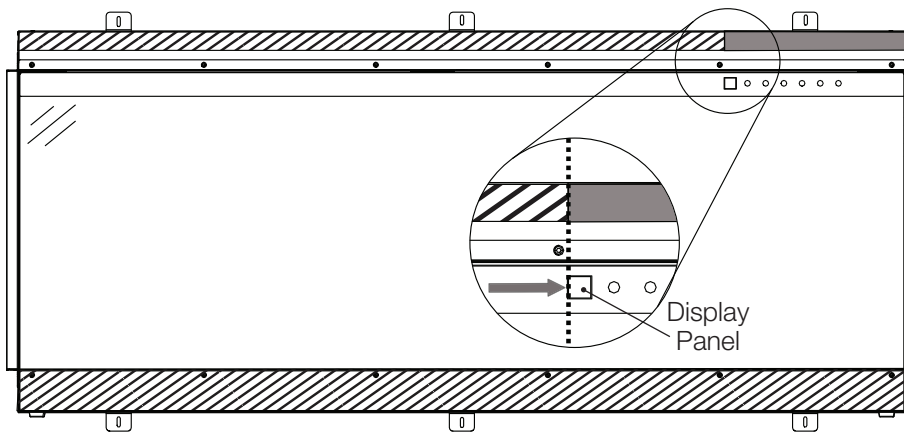
Batteries must be disposed of according to the local laws and regulations. Some batteries may be recycled, and may be accepted for disposal at your local recycling center. Check with your municipality for recycling instructions.

! WARNING

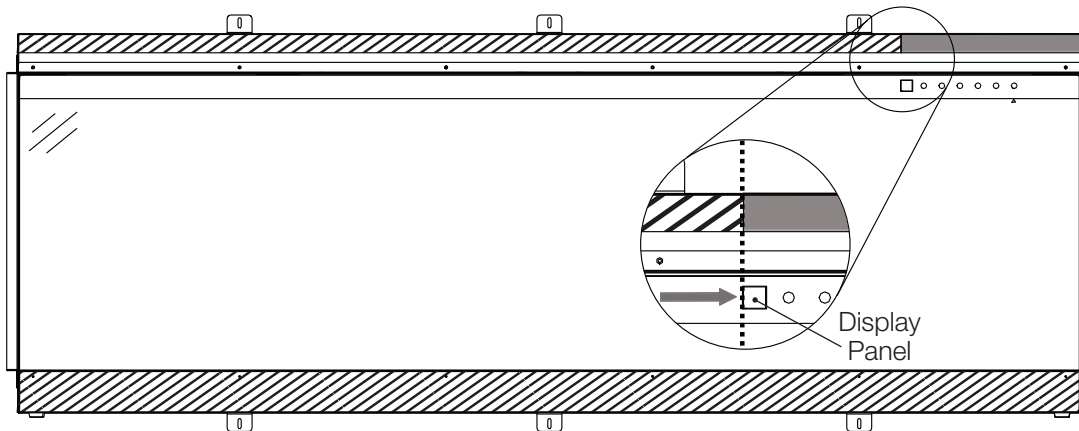
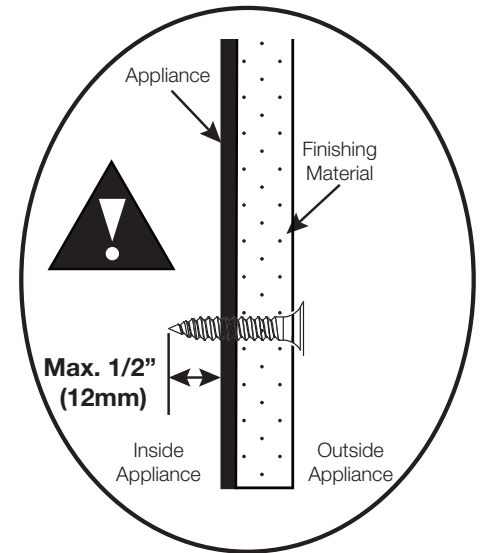
- Risk of fire!
- Never obstruct the front opening of the appliance.
- Do not strike, slam, or scratch. Do not operate appliance with glass removed or cracked.
- Facing and/or finishing material must never overhang into the appliance opening.
- **Do not finish past the finishing edge trim.** Installing finishing materials past the finishing edge trim will result in not being able to install and/or open and close the front glass panel.
- Drywall dust may penetrate into the blower bearings, causing irreparable damage. Care must be taken to prevent drywall dust from coming into contact with the blower or its compartment. Any damage resulting from this condition is not covered by the warranty policy.

6.1 finishing materials

6.1.1 screw-safe areas



NEFB50H-3SV Illustrated



NEFB60H-3SV Illustrated



Screw-safe area with max. 1" (25mm) long screw. **Do not screw more than 1/2" (12mm) into appliance.**



Restricted screw area. Do not screw in this area.

DO NOT SCREW IN THE RESTRICTED AREA AS THIS COULD DAMAGE THE INTERNAL COMPONENTS OF THE APPLIANCE, WHICH CAN CAUSE THE APPLIANCE TO MALFUNCTION.

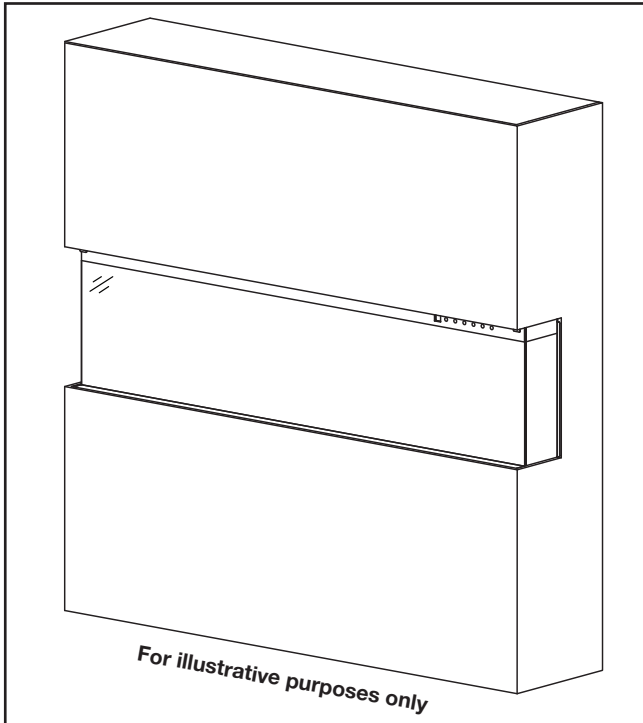
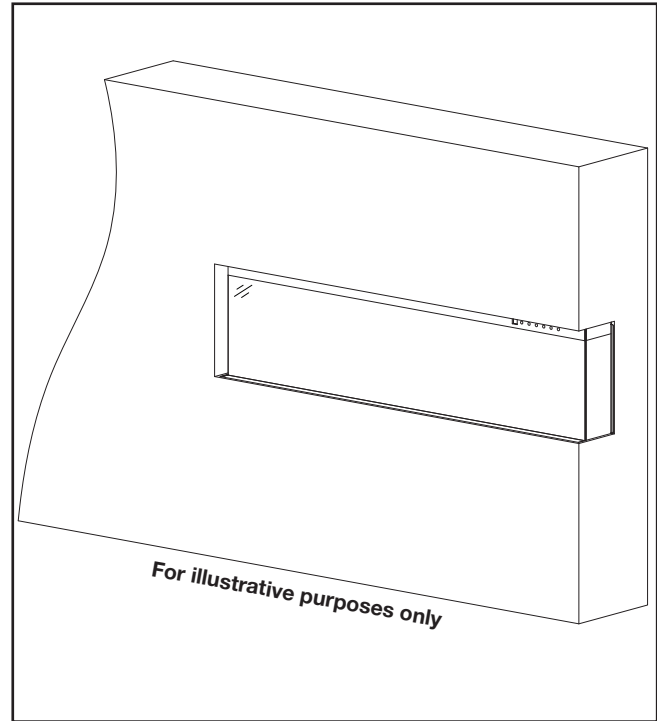
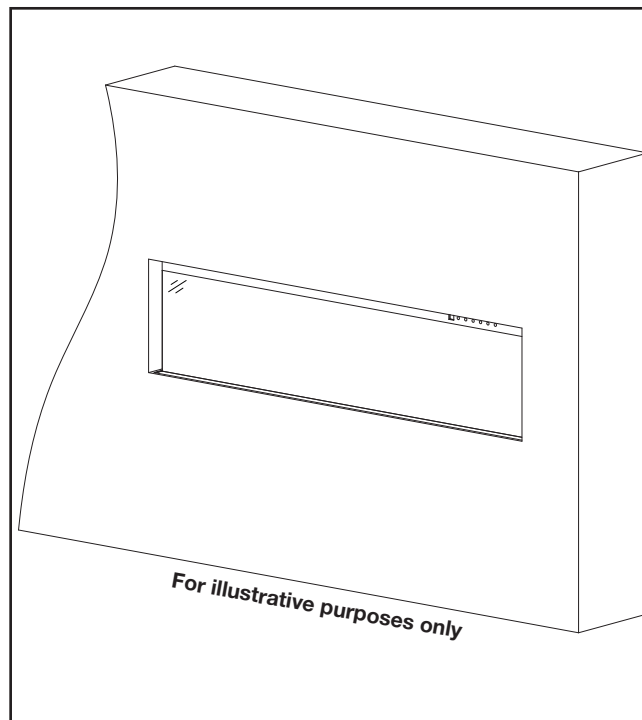
finishing

6.1.2 installing combustible and non-combustible materials

1. Install combustible **or** non-combustible materials (i.e. plywood, drywall, cement board, etc.) onto the rough-in framing, ensuring the materials are flush with the finishing edge trim of the appliance.

note:

Decorative materials such as brick, marble, granite, and tile must be installed on plywood/drywall/cement board, etc.

Three-Sided Viewing Installation**Two-Sided Viewing Installation****Single-Sided Viewing Installation**

6.2 media installation

1. Place the media tray in position, ensuring to keep the mat surface facing up. **(Fig. 6-1)**.
2. Apply an even layer of small crystals along the media tray **(Fig. 6-2)**.
3. Place the driftwood logs on top of the small crystals (see **Fig. 6-3 and 6-4** for recommended log placement)
OR place the large crystals on top of the small crystals.

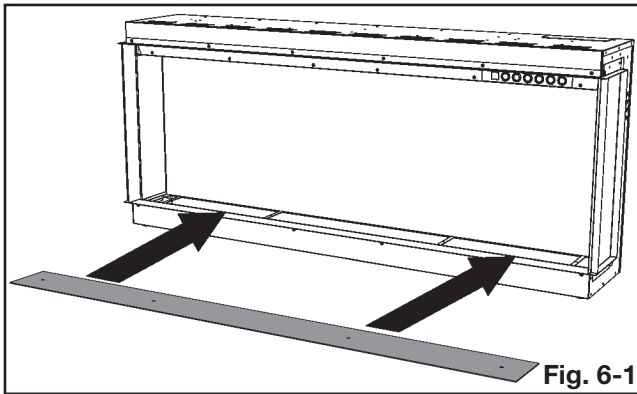


Fig. 6-1

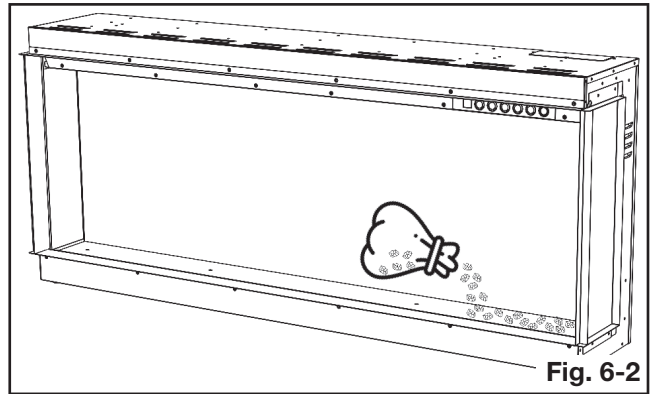


Fig. 6-2

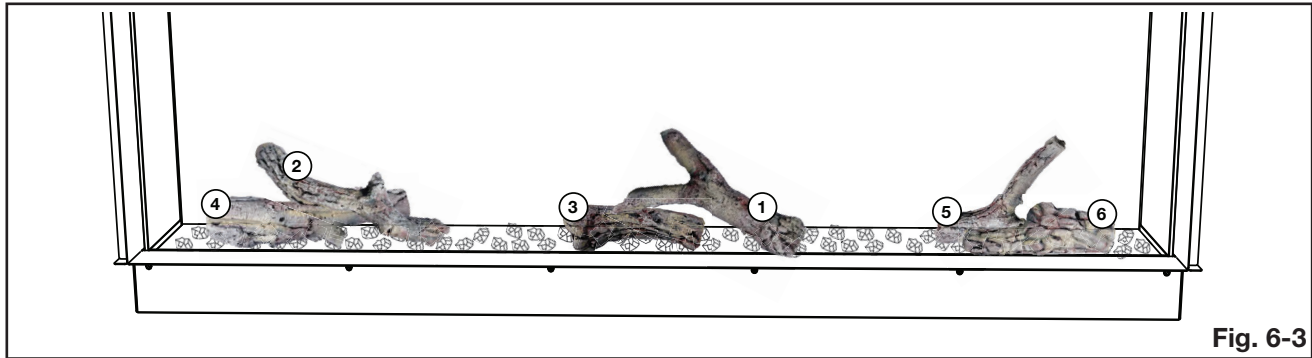


Fig. 6-3

Recommended log placement for NEFB50H-3SV

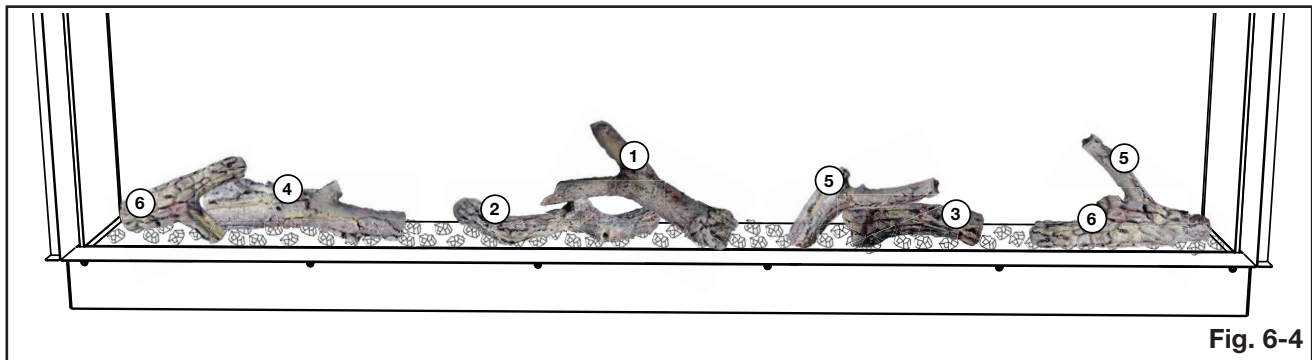


Fig. 6-4

Recommended log placement for NEFB60H-3SV

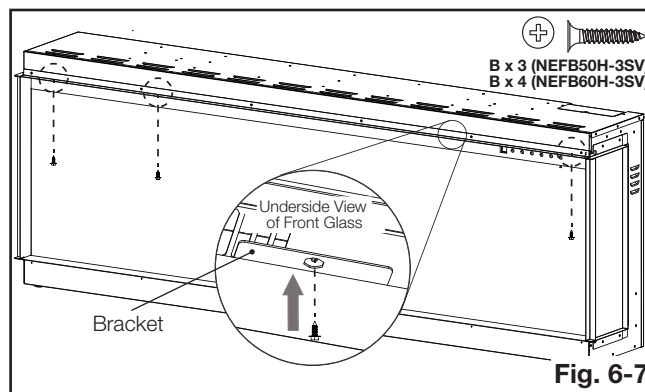
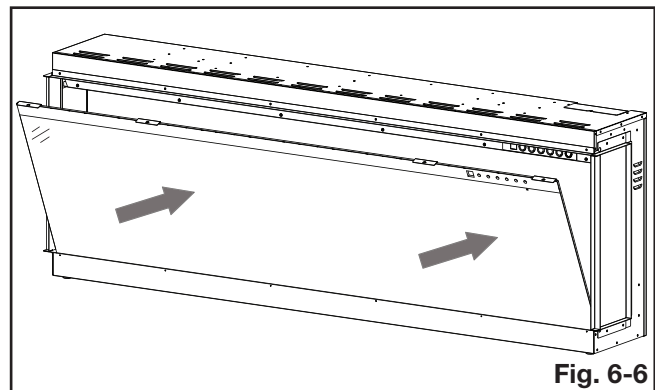
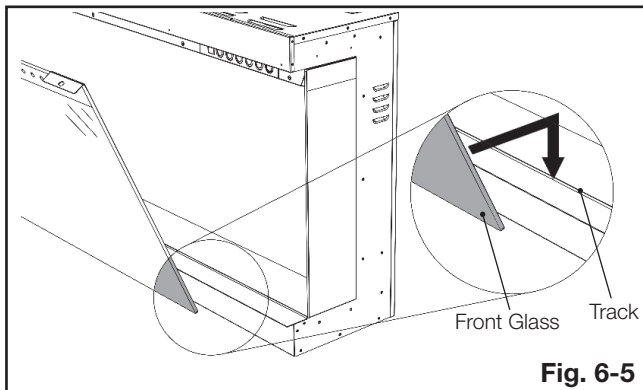
note:

For log part numbers, see “replacement parts” section.

finishing

6.3 front glass installation / removal

1. Place the front glass into the track located inside the firebox (**Fig. 6-5**).
2. Tilt the front glass forward (**Fig. 6-6**).
3. Secure the flathead screws (supplied) through the bracket holes (**Fig. 6-7**).
4. Reverse these steps to remove the front glass.



note:

NEFB60H-3SV illustrated above.

7.0 maintenance

! WARNING

- Always disconnect the power and allow the electric appliance to cool before performing any cleaning, maintenance or relocation of this electric appliance. Turn controls to OFF and remove plug from outlet or turn off the house circuit breaker to electric appliance receptacle.
- Never vacuum hot embers.
- This appliance will require maintenance which should be planned on an annual basis.
- Using a vacuum with a soft brush attachment, gently remove any lint, dirt, or debris from the control areas and the vent openings on the appliance.
- For glass media, follow the installation instructions for pre-cleaning.
- The front glass can be cleaned with glass cleaner and using a non-abrasive cloth (supplied).

! WARNING

- Failure to position the parts in accordance with this manual or failure to use only parts specifically approved with this appliance may result in property damage or personal injury.

Contact your dealer for questions concerning prices and policies on replacement parts. Normally, all parts can be ordered through your Authorized dealer / distributor.

For warranty replacement parts, a photocopy of the original invoice will be required to honour the claim.

When ordering replacement parts always give the following information:

- Model & Serial Number of appliance
- Installation date of appliance
- Part number
- Description of part
- Finish

Parts, part numbers, and availability are subject to change without notice.

Parts identified as stocked will be delivered within 2 to 5 business days for most delivery destinations.

Parts not identified as stocked will be delivered within a 2 to 4 week period, for most cases.

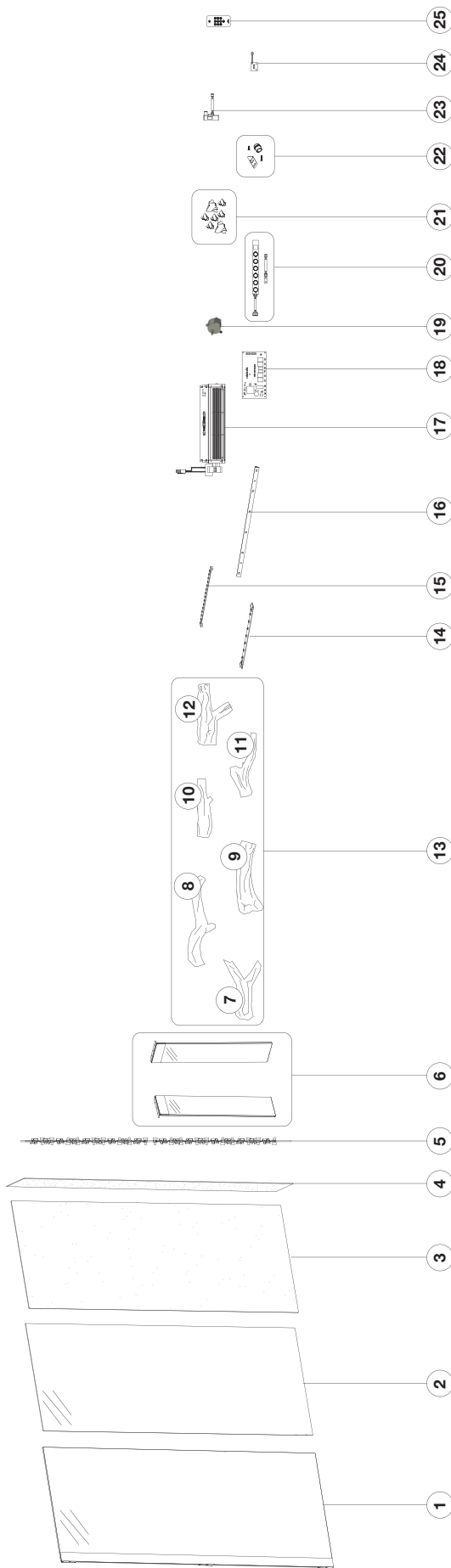
Parts identified as 'SO' are special order and can take up to 90 days for delivery.

For after-sales service, please call 1-866-820-8686.

note:

Care must be taken when removing and disposing of any broken glass or damaged components. Be sure to vacuum up any broken glass from inside the appliance before operation.

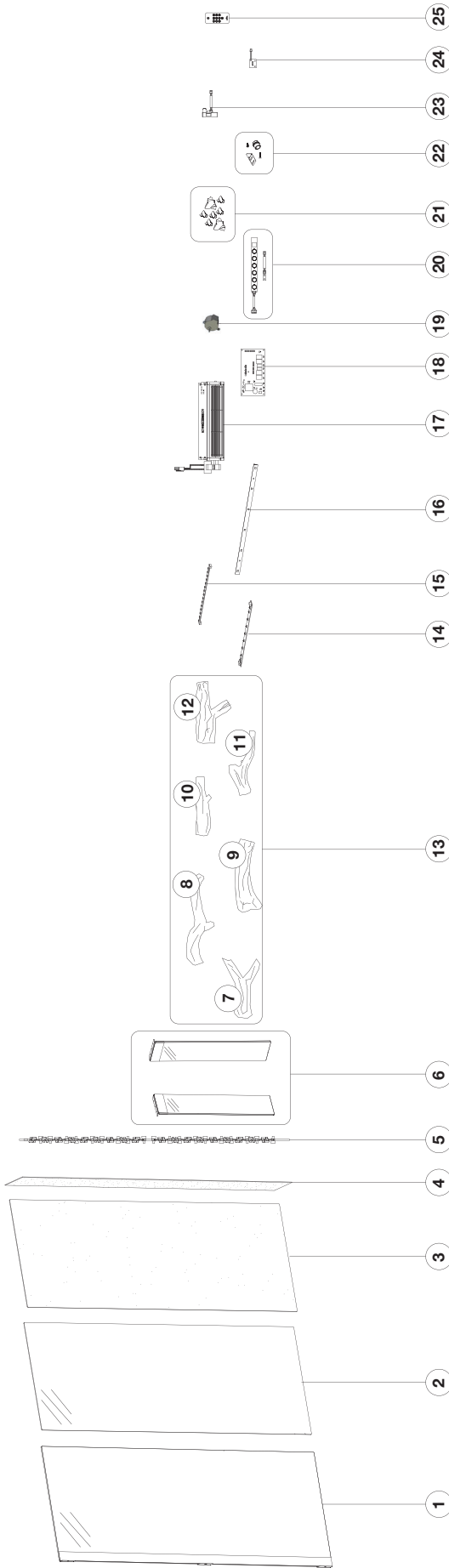
8.1 NEFB50H-3SV overview



Items may not appear exactly as illustrated.

Ref. No.	Part Number	Description	Stocked	Ref. No.	Part Number	Description	Stocked
1	W300-0294-SER	Glass, front	Yes	15	W405-0069-SER	Light, ember bed LED	Yes
2	W565-0324-SER	Screen, flame projection, glass	Yes	16	W405-0076-SER	Light, top LED	Yes
3	W565-0322-SER	Screen, flame projection, plastic	Yes	17	W010-4540-SER	Assembly, blower and heater	Yes
4	W645-0002-SER	Holder, glass media	Yes	18	W190-0148-SER	Board, main PCB	Yes
5	W010-4538-SER	Reflector, spindle	Yes	19	W435-0090-SER	Motor, rotisserie	Yes
6	W300-0296-SER	Glass, left and right sides	Yes	20	W010-4541-SER	Control panel with remote receiver	Yes
7	W135-0806-SER	Log #1	Yes	21	W497-0066-SER	Crystals, large	Yes
8	W135-0807-SER	Log #2	Yes	21	W497-0064-SER	Crystals, small	Yes
9	W135-0808-SER	Log #3	Yes	22	W370-0155-SER	Kit, hardware	Yes
10	W135-0809-SER	Log #4	Yes	23	W190-0150-SER	Motion sensor	Yes
11	W135-0810-SER	Log #5	Yes	24	W690-0021	Thermostat	Yes
12	W135-0811-SER	Log #6	Yes	25	W190-0136-SER	Remote control	Yes
13	GL-710-SER	Log set	Yes				
14	W405-0077-SER	Light, flame LED	Yes				

8.2 NEFB60H-3SV overview



Items may not appear exactly as illustrated.

Ref. No.	Part Number	Description	Stocked
1	W300-0295-SER	Glass, front	Yes
2	W565-0325-SER	Screen, flame projection, glass	Yes
3	W565-0323-SER	Screen, flame projection, plastic	Yes
4	W645-0003-SER	Holder, glass media	Yes
5	W010-4539-SER	Reflector, spindle	Yes
6	W300-0296-SER	Glass, left and right side	Yes
7	W135-0806-SER	Log #1	Yes
8	W135-0807-SER	Log #2	Yes
9	W135-0808-SER	Log #3	Yes
10	W135-0809-SER	Log #4	Yes
11	W135-0810-SER	Log #5	Yes
12	W135-0811-SER	Log #6	Yes
13	GL-711-SER	Log set	Yes
14	W405-0077-SER	Light, flame LED	Yes
Ref. No.	Part Number	Description	Stocked
15	W405-0069-SER	Light, ember bed LED	Yes
16	W405-0076-SER	Light, top LED	Yes
17	W010-4540-SER	Assembly, blower and heater	Yes
18	W190-0148-SER	Board, main PCB	Yes
19	W435-0090-SER	Motor, rotisserie	Yes
20	W010-4541-SER	Control panel with remote receiver	Yes
21	W497-0067-SER	Crystals, large	Yes
21	W497-0065-SER	Crystals, small	Yes
22	W370-0155-SER	Kit, hardware	Yes
23	W190-0150-SER	Motion sensor	Yes
24	W690-0021	Thermostat	Yes
25	W190-0136-SER	Remote control	Yes

9.0 troubleshooting

WARNING

- Turn off the appliance completely and let cool before servicing. Only a qualified service person should service and repair this electric appliance.

symptom	problem	solution
Appliance will not come on when power button/switch is put into the "on" position.	Appliance is not plugged into an electrical outlet.	Check plug, and plug in the appliance if necessary.
	Hard wire connections are not correct.	See "hard-wiring installation" section.
	Appliance has overheated and safety thermal switch has tripped.	Unplug power or turn off the circuit breaker, allow appliance to cool for 15 minutes, then plug in the appliance or turn the breaker on.
	Main PCB board issue.	Inspect the circuit board and replace, if necessary.
Appliance turns off and will not turn on.	House circuit breaker has tripped.	Reset house circuit breaker.
	Appliance's fuse has blown.	Replace the fuse.
	Appliance has overheated and safety thermal switch has tripped.	Unplug power or turn off the circuit breaker, allow appliance to cool for 15 minutes to reset the thermal switch, then plug in the appliance or turn the breaker on.
Appliance has returned to default settings.	Power failure.	Re-program appliance to original settings (not applicable with all appliances).
Remote control does not work.	Low/dead batteries.	Replace batteries in remote control.
	Remote receiver malfunction.	Ensure remote receiver is not blocked. Replace control panel.
No warm air coming out of the appliance.	Heater setting not selected.	See "operation" section.
	Heater has been locked out.	See "operation" section.
	Room temperature is higher than appliance setting (if set to room temperature).	Reset temperature setting.
	Appliance has overheated and safety thermal switch has tripped.	Unplug power or turn off the circuit breaker. Allow for appliance to cool for 15 minutes.
	Hard wire connections are not correct.	See "hard-wiring installation" section.
Heater shuts off automatically.	Heater issue.	Inspect the blower and heater and replace, if necessary.
	Room is too warm.	The heater has a built-in thermostat so it will shut off automatically once the pre-set temperature is reached. It will also turn on automatically if the room temperature drops below the pre-set temperature.
Dim or no flame.	Flame brightness not selected.	See "operation" section.
	Flame LEDs issue.	Inspect the LED and replace, if necessary.
	Main PCB board issue.	Inspect the main PCB board and replace, if necessary.
Flame does not move.	Motor is stalled/malfunctioning.	Cycle on/off. If problem persists, consult dealer.

symptom	problem	solution
Ember bed is not glowing or dimming.	Brightness not selected.	See "operation" section.
	Ember LED issue.	Inspect the ember bed LEDs and replace, if necessary.
	Main PCB board issue.	Inspect the main PCB board and replace, if necessary.
LED flashing "OH".	Appliance has overheated and safety thermal switch has tripped.	Unplug power or turn off the circuit breaker. Allow appliance to cool for 15 minutes, then plug in the appliance or turn the breaker on. If problem persists, consults your dealer.
No difference from H1 to H2.	Hard wire connections are not correct.	See "hard-wiring installation" section.
	Main PCB board issue.	Consult your dealer.
	Heating element issue.	Consult your dealer.
Error code "E1".	Thermostat issue.	Consult your dealer.

10.0 warranty

Napoleon electric appliances are manufactured under the strict Standard of the world recognized ISO 9001 : 2015 Quality Management System.

Napoleon products are designed with superior components and materials and assembled by trained craftsmen who take great pride in their work. Once assembled, the complete appliance is thoroughly inspected by a qualified and authorized installer, service agency, or supplier before packing to ensure that you, the customer, receive the quality product that you expect from **Napoleon**.

Napoleon Electric Appliance Limited Warranty

Electrical components and wearable parts are covered and **Napoleon** will provide replacement parts free of charge during the first year of limited warranty. This covers: fan/heaters, motors, switches, nylon bearing components, remote controls, and LED lights.*

Light bulbs and fuses are NOT covered by the warranty.

Any labour related to warranty repair is not covered.

* Construction of models vary. Warranty applies only to components included with your specific appliance.

Conditions and Limitations

Napoleon warrants its products against manufacturing defects to the original purchaser only. Registering your warranty is not necessary. Simply provide your proof of purchase along with the model and serial number to make a warranty claim. Provided that the purchase was made through an authorized **Napoleon** dealer, your appliance is subject to the following conditions and limitations:

Warranty coverage begins on the date of original installation.

This factory warranty is non-transferable and may not be extended whatsoever by any of our representatives.

Installation must be done in accordance with the installation instructions included with the product and all local and national building and fire codes.

This limited warranty does not cover damages caused by misuse, lack of maintenance, accident, alterations, abuse, or neglect and parts installed from other manufacturers will nullify this warranty.

This limited warranty further does not cover any scratches, dents, corrosion, or discolouring caused by excessive heat, abrasive and chemical cleaners, nor chipping on porcelain enamel parts, mechanical breakage of PHAZER™ logs.

In the first year only, this warranty extends to the repair or replacement of warranted parts which are defective in material or workmanship, provided that the product has been operated in accordance with the operation instructions and under normal conditions.

Napoleon will not be responsible for installation, labour, or any other expenses related to the reinstallation of a warranted part, and such expenses are not covered by this warranty. Notwithstanding any provisions contained in the Limited Warranty, **Napoleon** responsibility under this warranty is defined as above, and it shall not in any event extend to any incidental, consequential, or indirect damages.

This warranty defines the obligations and liability of **Napoleon** with respect to the **Napoleon** electric appliance and any other warranties expressed or implied with respect to this product; its components or accessories are excluded.

Napoleon neither assumes, nor authorizes any third party to assume, on its behalf, any other liabilities with respect to the sale of this product.

Any damages to appliance, brass trim or other component due to water, weather damage, long periods of dampness, condensation, damaging chemicals, or cleaners will not be the responsibility of **Napoleon**.

Napoleon reserves the right to have its representative inspect any product or part thereof prior to honouring any warranty claim.

All parts replaced under the Limited Warranty Policy are subject to a single claim.

All parts replaced under the warranty will be covered for a period of 90 days from the date of their installation.

The manufacturer may require that defective parts or products be returned or that digital pictures be provided to support the claim. Returned products are to be shipped prepaid to the manufacturer for investigation. If a product is found to be defective, the manufacturer will repair or replace such defect.

Before shipping your appliance or defective components, your dealer must obtain an authorization number. Any merchandise shipped without authorization will be refused and returned to sender.

Shipping costs are not covered under this warranty.

Additional service fees may apply if you are seeking warranty service from a dealer.

All specifications and designed are subject to change without prior notice due to on-going product improvements. **Napoleon** is a registered trademark of Wolf Steel Ltd.

NAPOLEON CELEBRATING OVER 40 YEARS OF HOME COMFORT PRODUCTS



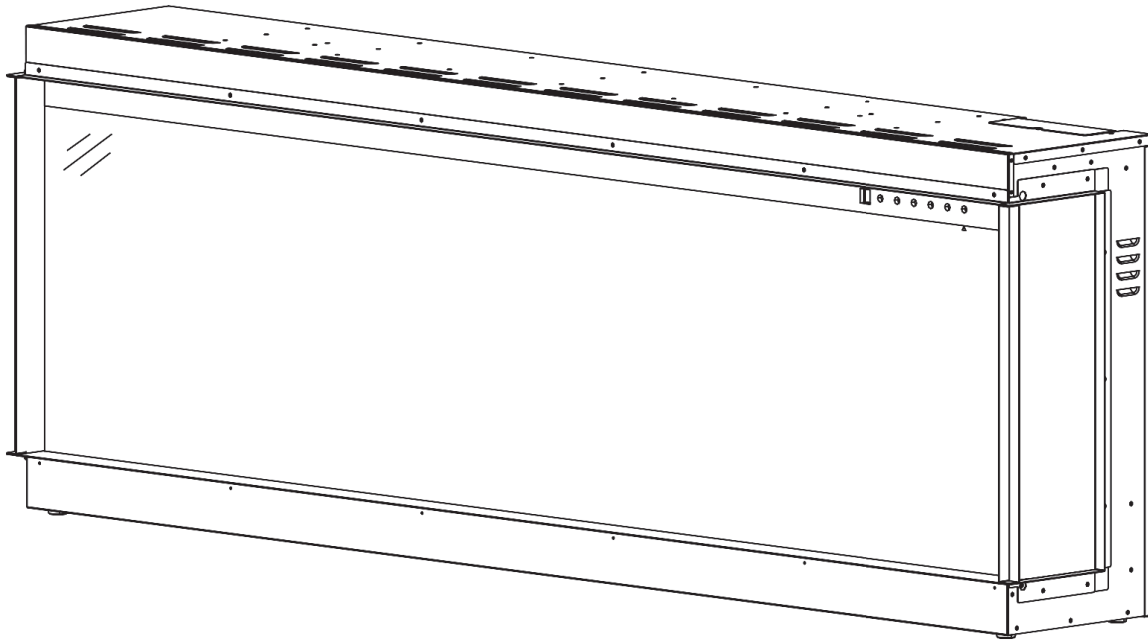
7200, Route Transcanadienne, Montréal, Québec H4T 1A3
24 Napoleon Road, Barrie, Ontario, Canada L4M 0G8
214 Bayview Drive, Barrie, Ontario, Canada L4N 4Y8
103 Miller Drive, Crittenden, Kentucky, USA 41030

Phone: 1-866-820-8686
napoleon.com



MANUEL D'INSTALLATION ET D'OPÉRATION

Série TriVista^{MD}
(NEFB60H-3SV Illustré)



CONSIGNES DE SÉCURITÉ

AVERTISSEMENT

RISQUE D'INCENDIE OU D'EXPLOSION

Si ces instructions ne sont pas suivies à la lettre, un incendie pourrait s'ensuivre causant des dommages matériels, des blessures corporelles ou des pertes de vie.

- N'entreposez pas et n'utilisez pas d'essence ou autres liquides et vapeurs inflammables à proximité de cet appareil ou tout autre appareil.

INSTALLATEUR:

Laissez ce manuel avec l'appareil

PROPRIÉTAIRE:

Conservez ce manuel pour consultation ultérieure.



Cet appareil dispose d'une télécommande qui nécessite des piles à bouton qui sont dangereuses pour les jeunes enfants.

POUR L'UTILISATION INTÉRIEUR SEULEMENT

CERTIFIÉ SELON LES NORMES NATIONALES CANADIENNES ET AMÉRICAINES:
CSA 22.2 NO. 46 / UL 2021



Wolf Steel Ltd., 24 Napoleon Rd., Barrie, ON, L4M 0G8 Canada / 103 Miller Drive, Crittenden, Kentucky, USA, 41030
Téléphone 1 (866) 826 8686 • www.napoleon.com • hearth@napoleon.com

AVERTISSEMENT

- **Si équipé avec un chauffage, cet appareil peut être chaud lorsqu'il fonctionne et peut causer de graves brûlures en cas de contact.**
- Ne faites pas fonctionner l'appareil avant d'avoir lu et compris les instructions d'utilisation. L'incapacité de respecter les instructions pourrait causer un incendie ou des blessures corporelles.
- N'installez pas de composants endommagés ou incomplets, ni des composants de substitution.
- Ne brûlez pas de bois ou autres matériaux dans cet appareil.
- Tous les appareils électriques contiennent des composants internes qui deviennent chauds et qui produisent des étincelles. N'utilisez pas cet appareil dans des endroits où de l'essence, des peintures ou d'autres liquides inflammables sont présents.
- Les grillages de sécurités ou écrans enlevés pour faire l'entretien devront être remis en place avant d'utiliser l'appareil.
- Il est primordial de garder propres les compartiments de contrôle, les brûleurs, la soufflerie, les bouches d'air de l'appareil ainsi que le système d'évacuation. L'appareil et son système d'évacuation doivent être inspectés avant la première utilisation et au moins une fois l'an par un spécialiste en entretien. Un entretien plus fréquent pourrait être nécessaire en raison des peluches provenant des tapis, literie, etc. L'emplacement de l'appareil doit être gardé libre de tous matériaux combustibles, essence ou autres liquides et vapeurs inflammables.
- Cet appareil ne devra être modifié en aucun cas.
- N'utilisez pas cet appareil si une partie quelconque a été submergée. Contactez immédiatement un technicien de service qualifié pour inspecter l'appareil et pour remplacer toute pièce du système de contrôle qui aurait été submergée.
- Si équipé avec une porte vitrée, n'opérer pas l'appareil lorsque la porte vitrée est enlevée, fissurée ou brisée. Le remplacement de la vitre devra être effectué par un technicien de service certifié ou qualifié.
- Si équipé avec un porte vitrée, ne frappez pas et ne claquez pas la porte vitrée de l'appareil.
- Les matériaux d'emballage doivent être gardés hors de la portée des enfants et mis au rebut de façon sécuritaire. Comme tous les emballages de plastique, ceux-ci ne sont pas des jouets et doivent demeurer hors de la portée des enfants et des bébés.
- L'entretien ne doit être effectué que lorsque l'appareil est débranché du circuit électrique.
- Débranchez toujours l'appareil lorsqu'il n'est pas utilisé.
- N'utilisez pas l'appareil si le cordon d'alimentation ou la fiche sont endommagés, s'il ne fonctionne pas bien, ou s'il a été échappé ou endommagé d'une quelconque façon. Retournez l'appareil à un centre de service autorisé pour une inspection, des ajustements électriques ou mécaniques ou une réparation.
- N'utilisez pas cet appareil à l'extérieur.
- Lorsque vous installez cet appareil dans une pièce où l'eau est présente, l'installation doit se conformer aux codes reconnaissant le risque accru de décharge électrique et d'électrocution.

note:

Cet appareil NE PEUT PAS être installé dans une salle de bain.

- Ne passez pas le cordon d'alimentation sous un tapis. Ne recouvrez pas le cordon avec des carpettes, des tapis de couloir ou autres revêtements similaires. Évitez de placer le cordon dans un endroit passant ou à un endroit où il risque de causer des chutes.
- Branchez seulement dans une prise de courant adéquatement mise à la terre.
- N'insérez pas d'objets dans les ouvertures d'entrée d'air ou de sortie d'air puisque cela risque d'endommager l'appareil ou causer des chocs électriques ou un incendie.
- Il est normal que votre appareil électrique produise du bruit, surtout s'il est installé dans un endroit calme comme un chambre à coucher.

! AVERTISSEMENT

- Pour prévenir les risques d'incendie, ne bloquez pas les entrées d'air et les sorties d'air de quelque manière que ce soit. Ne placez pas cet appareil sur une surface molle telle qu'un tapis où les ouvertures pourraient se bloquer.
- Cet appareil a été testé et homologué pour usage avec les accessoires optionnels listés dans ce manuel uniquement. L'utilisation d'accessoires optionnels qui n'ont pas été spécifiquement testés pour cet appareil électrique annulera la garantie de l'appareil et/ou présentera des risques pour la sécurité.

Pour les appareil équipé avec chauffage:

- Risque de brûlures. L'alimentation à l'appareil doit être éteint et refroidi avant d'effectuer l'entretien. Pour débrancher l'alimentation à l'appareil, mettez d'abord les boutons de contrôle à « OFF » puis éteint l'alimentation électrique.
- Les jeunes enfants doivent être supervisés attentivement lorsqu'ils sont dans la même pièce que l'appareil recommandés s'il y a dans la maison des individus à risque. Les jeunes enfants et autres personnes sont sujets aux brûlures accidentelles. Une barrière de protection est recommandée s'il y a dans la maison des individus à risque. Afin de restreindre l'accès à l'appareil, installez une barrière de protection ajustable pour garder les jeunes enfants ou autres personnes à risque hors de la pièce et loin des surfaces chaudes.
- Les vêtements et autres matériaux combustibles ne doivent pas être posés sur l'appareil ou à proximité.
- En raison des températures élevées, l'appareil devrait être placé loin des endroits passants et loin des meubles et des rideaux.
- Assurez-vous de disposer de mesures de sécurité adéquates pour empêcher les jeunes enfants de toucher aux surfaces chaudes.
- Même lorsque l'appareil est éteint, la porte et l'écran demeureront chauds pendant un bon moment.
- Consultez votre détaillant local de foyer pour connaître les grillages de sécurité et les écrans offerts pour protéger les enfants des surfaces chaudes. Ces grillages de sécurité et ces écrans doivent être fixés au plancher.
- Assurez-vous de respecter les dégagements aux matériaux combustibles lorsque vous installez un manteau ou des tablettes au-dessus de l'appareil. Les téléviseurs et autres composants électroniques soumis à des températures élevées peuvent fondre, se déformer, se décolorer et entraîner des défaillances prématurées de ces appareils.

! AVERTISSEMENT: Ce produit peut vous exposer à des substances chimiques incluant le plomb et les composés de plomb qui, selon l'État de Californie, causeraient le cancer, et des substances chimiques incluant le BBP et DEHP qui, selon d'État de Californie, causeraient des malformations congénitales ou autres dangers pour la reproduction. Pour de plus amples renseignements, visitez le www.P65Warnings.ca.gov.

table de matières

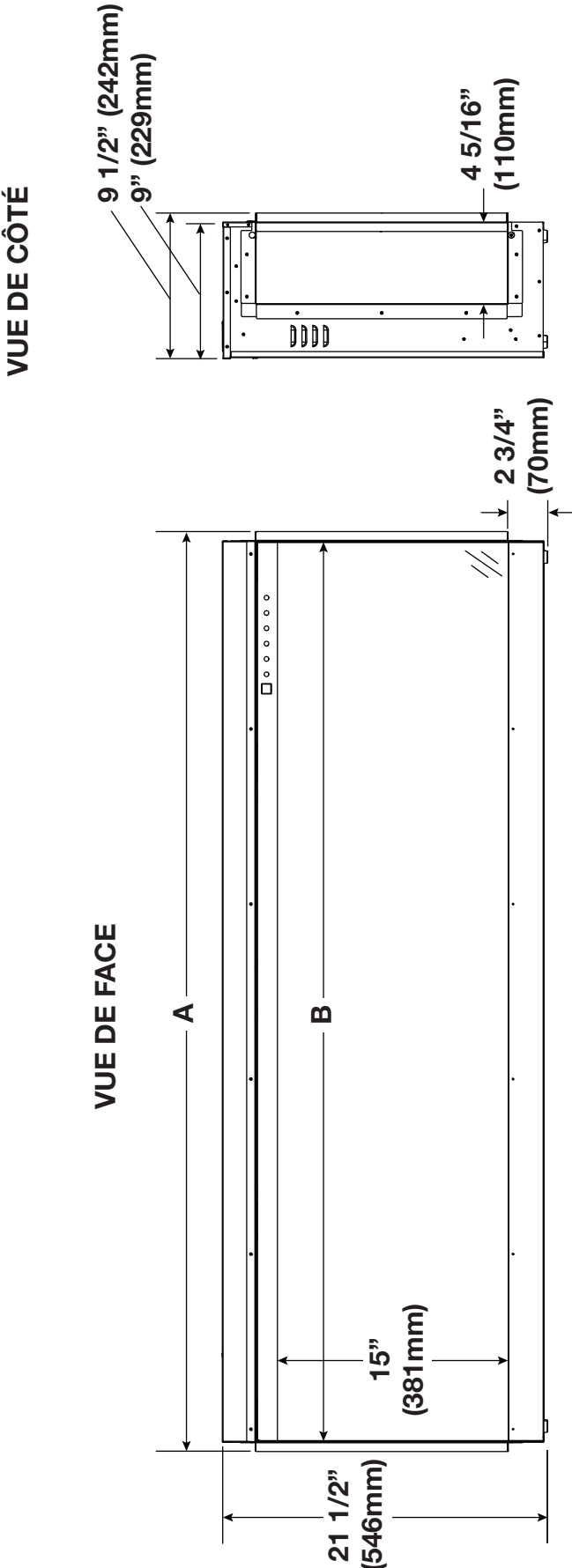
FR

1.0	information générale	39
1.1	dimensions	39
1.2	homologations	40
1.3	instructions générales	40
1.4	déballage de l'appareil	41
1.5	liste de pièces	41
1.6	information à propos de la plaque d'homologation	42
1.7	emplacement des étiquettes	42
2.0	vue d'ensemble d'installation	43
3.0	installation	44
3.1	emplacement de l'appareil	44
3.2	mis à la terre de l'appareil	45
3.3	dégagements minimaux aux combustibles	45
3.4	dégagements minimaux de la tablette	45
3.5	ossature approximatif	46
3.6	avant-installation avec trois côtés, deux côtés, et un côté de visionnage	47
3.7	installation avec trois côtés, deux côtés, et un côté de visionnage	48
3.7.1	installation avec trois côtés de visionnage	48
3.7.2	installation avec deux côtés de visionnage	48
3.7.3	installation avec un côté de visionnage	49
3.8	après-installation avec trois côtés, deux côtés, et un côté de visionnage	49
4.0	information électrique	50
4.1	schéma de câblage pour NEFB50H-3SV	50
4.2	schéma de câblage pour NEFB60H-3SV	51
4.3	introduction et préparation de branchement par câble	52
4.4	branchement par câble 120V	52
4.5	branchement par câble 240V	53
4.6	fixer et tester	53
5.0	instructions de fonctionnement	54
5.1	utilisation du panneau de commande	54
5.2	utilisation de la télécommande	55
5.3	installation de la pile de la télécommande	56
6.0	finitions	57
6.1	matériaux de finition	57
6.1.1	zones autorisées pour les vis	57
6.1.2	installation des matériaux combustibles et incombustibles	58
6.2	installation des médias	59
6.3	installation / enlèvement du verre avant	60
7.0	entretien	60
8.0	pièces de rechange	61
8.1	vue d'ensemble de NEFB50H-3SV	62
8.2	vue d'ensemble de NEFB60H-3SV	63
9.0	guide de dépannage	64
10.0	garantie	66
11.0	notes	67

note:

L'information contenue dans ce manuel est jugée correcte au moment de l'impression. Wolf Steel Ltée. se réserve le droit de modifier ou de modifier toute information contenue dans ce manuel à tout moment sans préavis. Les modifications, autres que les éditoriaux, sont désignées par une ligne verticale dans la marge.

1.1 dimensions



Réf.	NEFB50H-3SV	NEFB60H-3SV
A	50" (1270mm)	60" (1524mm)
B	48 5/8" (1235mm)	58 5/8" (1490mm)
C	48 13/16" (1240mm)	58 13/16" (1494mm)

1.2 homologations

N° de Modèle	NEFB50H-3SV	NEFB60H-3SV
Description	Appareil électrique de 50" avec trois côtés de visionnage	Appareil électrique de 50" avec trois côtés de visionnage
Tension	120V/240V AC	
Puissance	Max. 1500W/3000W	
Ampères	15 AMP circuit mis à la terre dédié	
Largeur	50" (1270mm)	60" (1524mm)
Hauteur	21 1/2" (546mm)	
Profondeur	9 1/2" (241mm)	
Poids Net	77,0 lbs (35,0 kg)	88,0 lbs (40 kg)
Poids Brut	113,5 lbs (51,5 kg)	131,0 lbs (59,3 kg)

Cet appareil a été testé selon les normes CSA pour les appareils électriques installés de façon permanentes aux États-Unis et au Canada. Si vous avez besoin d'assistance durant l'installation, veuillez contacter votre détaillant local.

note:

Cet appareil doit être raccordé électriquement et mis à la terre selon les codes locaux ou, en l'absence de tels codes, avec la dernière édition du National Electrical Code ANSI/NFPA 70 aux États-Unis ou le Code Canadien de l'Électricité CSA C22.1 au Canada.

1.3 instructions générales

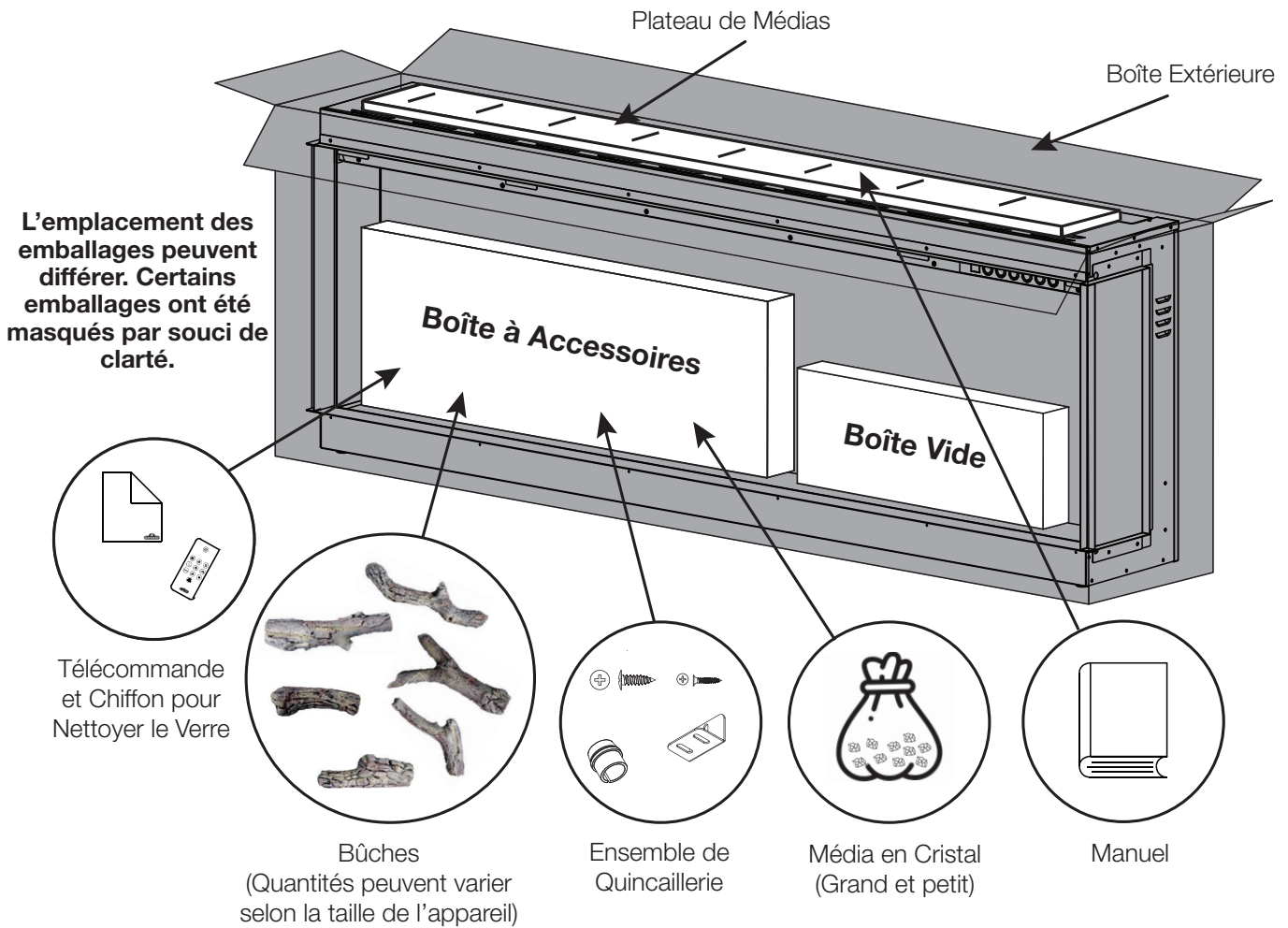
- Cet appareil a été conçu d'être complètement encastré dans une enceinte. Il est capable de trois configurations uniques.
- Assurez-vous de tester l'appareil lorsqu'il est installé dans l'ossature approximatif pour vérifier que les fonctions effectuent comme prévu.
- Les matériaux de finitions doivent être installés à l'avant de l'appareil pour **toutes** les configurations de l'installation.
- Cet appareil peut être réparé lorsqu'il est dans l'enceinte; cependant, si l'appareil est enlevé de l'enceinte, les matériaux de finitions doivent être enlevés aussi.
- Il est possible que l'appareil dégage une légère odeur inoffensive lors de la première utilisation. Cela est une condition normale causée par le chauffage initial des éléments de l'appareil. Elle ne se reproduira plus.
- Cet appareil est équipé avec deux assemblées de ventilateur et chauffage. L'une est pour utilisation avec 120V, et l'autre est pour utilisation avec 240V.
- Si votre appareil n'émet pas de chaleur lorsqu'il est sollicité, consultez la section « fonctionnement » de ce manuel pour de plus amples renseignements.
- Utilisez avec un limiteur de surtension certifié CSA ou UL.
- Ne faites pas passer le cordon d'alimentation directement sous l'appareil.

Cet appareil électrique répond aux normes de construction et de sécurité du H.U.D. pour des applications dans des maisons préfabriquées lorsque installé selon ces instructions.

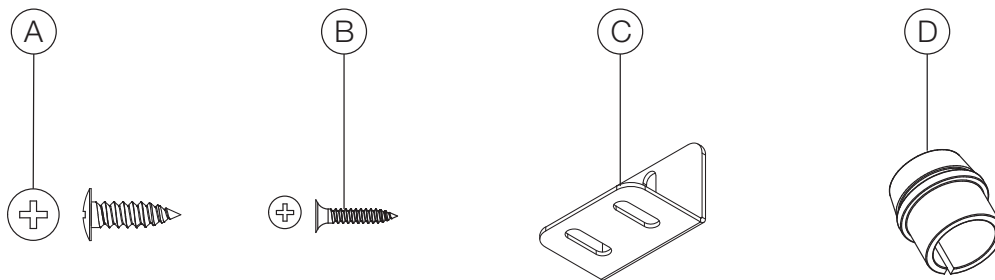
Comme avec la plupart des appareils électroniques, votre nouveau appareil électrique a été conçu pour fonctionner à des températures comprises entre 5°C (41°F) et 35°C (95°F). Pendant les mois froids de l'hiver, la cheminée permet d'atteindre la température ambiante avant de l'allumer.

1.4 déballage de l'appareil

Assurez-vous de déballer l'appareil avec 2 personnes. Consultez la liste de pièces (voir la section « liste de pièces ») pour préparer l'installation.



1.5 liste de pièces



	Description	Quantité	
		NEFB50H-3SV	NEFB60H-3SV
A	Vis métalliques ST4x12	6	
B	Vis à tête plate	3	4
C	Support métallique	6	
D	Soulagement de traction	1	

information générale

FR 1.6 information à propos de la plaque d'homologation

Cette illustration est à titre de référence seulement. Consultez la plaque d'homologation pour obtenir l'information précis.

CERTIFIED UNDER CANADIAN AND AMERICAN NATIONAL STANDARD: CSA 22.2 NO. 46 AND UL 2021 / HOMOLOGUÉ SELON LES NORMES NATIONALES CANADIENNES ET AMÉRICAINES: CSA 22.2 NO. 46 UL 2021

ELECTRIC FIREPLACE. SUITABLE FOR BEDROOM AND BED-SITTING ROOM INSTALLATION. SUITABLE FOR MOBILE HOME INSTALLATION.

FOYER ÉLECTRIQUE. HOMOLOGUÉ POUR L'INSTALLATION DANS UNE CHAMBRE À COUCHER, UNE SALLE DE JOUR ET UN STUDIO. APPROPRIÉ POUR L'INSTALLATION DANS UNE MAISON MOBILE.

MASTER CONTRACT: 161746 **CONTRAT-CLIENT: 161746**

NEFB50H-3SV MODÈLE / MODÈLE NEFB50H-3SV

VOLTAGE: 120/240VCA TENSION: 120/240VCA
 FREQUENCY: 60Hz FRÉQUENCE: 60Hz
 POWER: 1500/3000W PUISSANCE: 1500/3000W
 DATE CODE: CODE DE DATE:

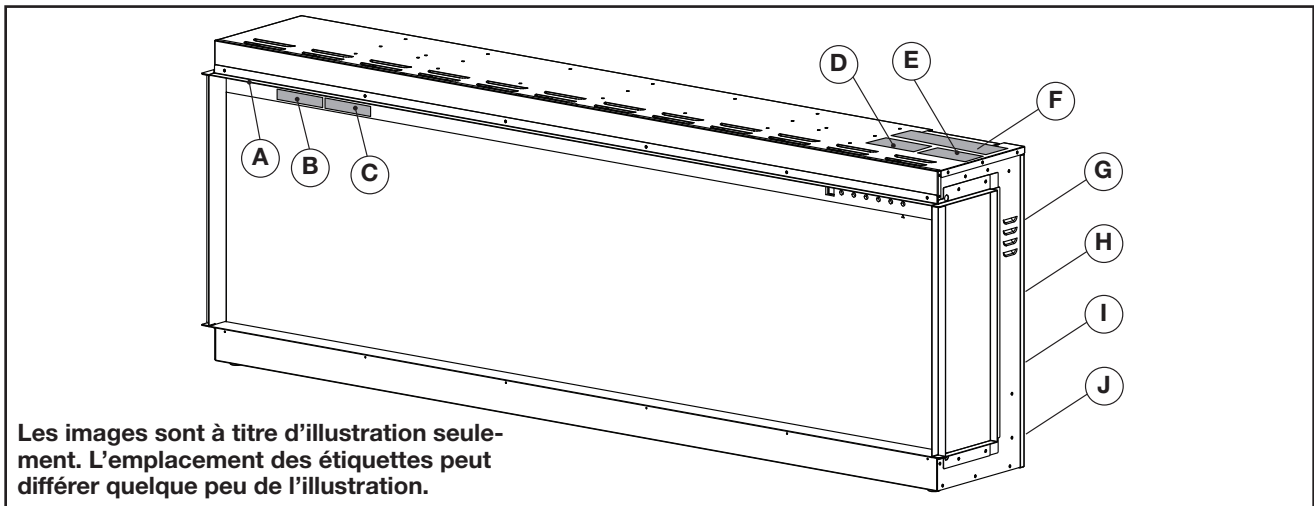
DESIGNED IN NORTH AMERICA DÉSIGNÉ EN AMÉRIQUE DE
 BY WOLF STEEL LTD. NORD PAR WOLF STEEL LTD.
 MADE IN CHINA FABRIQUÉ EN CHINE

WOLF STEEL LTD.
 24 NAPOLEON ROAD,
 BARRIE, ON, L4M 0G8 CANADA

SERIAL NUMBER/NO. DE SÉRIE: NEFB50H W385-2354

note:
 La plaque d'homologation doit rester avec l'appareil à tout instant. Elle ne doit pas être enlevée.

1.7 emplacement des étiquettes



	N° de Partie		Description de l'Étiquette
	NEFB50H-3SV	NEFB60H-3SV	
A	N/A		Modèle et N° de Sérial *
B	W385-2017		« Surface Chaude »
C	W385-2210		« Ne Pas Couvrir »
D	W385-2365		Branchement de Câble 240V
E	W385-2366		Branchement de Câble 120V
F	W385-2390		Avertissement de Branchement de Câble
G	W385-2354 **	W385-2355 **	Plaque de Homologation
H	W385-2364 **	W385-4506 **	Schéma de Câblage
I	W385-2167 **		« Avertissement »
J	W385-2163 **		« Avertissement »

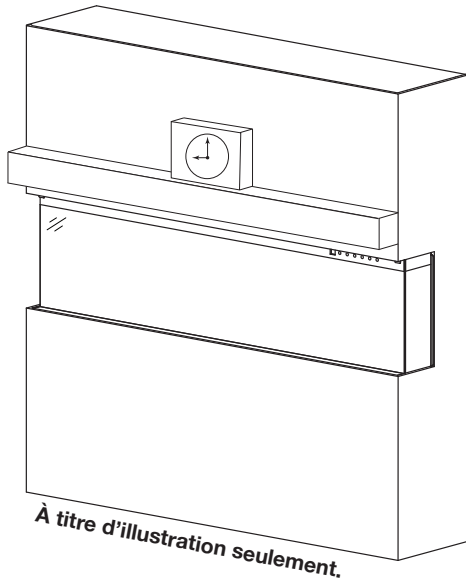
* Située au dessous de la garniture supérieure, coin gauche.

** Située à l'arrière de l'appareil.

2.0 vue d'ensemble d'installation

FR

Votre appareil est capable de trois configurations d'installations uniques: **trois côtés de visionnage, deux côtés de visionnage, et un côté de visionnage.**

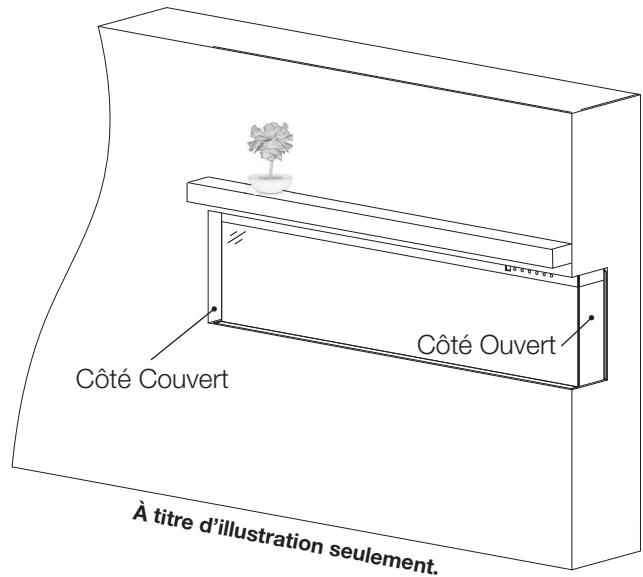


Installation avec Trois Côtés de Visionnage

- Appareil est complètement encastré dans le mur avec les deux côtés ouverts
- Vue frontale, et vue des côté gauche **et** droit

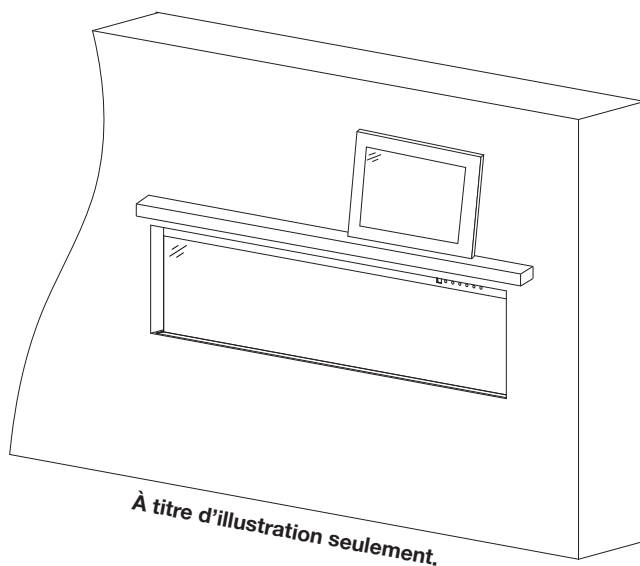
Installation avec Deux Côtés de Visionnage

- Appareil est complètement encastré dans le mur avec un côté ouvert
- Vue frontale **et** vue de côté gauche/droit, en fonction des côtés ouverts/couverts désirés



Installation avec Un Côté de Visionnage

- Appareil est complètement encastré dans le mur
- Vue frontale **seulement**
- Vues des côtés gauche et droit sont couverts



3.0 installation

FR

AVERTISSEMENT

- Risque d'incendie! Le cordon d'alimentation ne doit pas être coincé contre une arrête vive. Fixez le cordon pour éviter les chutes ou les accrochages afin de réduire le risque d'incendie, de choc électrique ou de blessures corporelles. Ne passez pas le cordon d'alimentation sous un tapis. Ne recouvrez pas le cordon avec des carpettes, des tapis de couloir ou autres revêtements similaires. Évitez de placer le cordon dans un endroit passant ou à un endroit où il risque de causer des chutes.
- Risque d'incendie! Pour prévenir les risques d'incendie, ne bloquez pas les entrées d'air et les sorties d'air de quelque manière que ce soit. Ne placez pas cet appareil sur une surface molle où les ouvertures pourraient se bloquer.
- Risque d'incendie! Ne soufflez pas ou ne placez pas d'isolant contre l'appareil.
- Cet appareil électrique a été testé et homologué pour usage avec les accessoires optionnels listés dans ce manuel uniquement. L'utilisation d'accessoires optionnels qui n'ont pas été spécifiquement testés pour cet appareil électrique annulera la garantie de l'appareil et/ou présentera des risques pour la sécurité.
- Si ces instructions ne sont pas suivies à la lettre, un incendie ou une explosion pourraient s'ensuivre, causant des dommages matériels, des blessures corporelles ou des pertes de vie. N'entrez pas et n'utilisez pas d'essence ou autres vapeurs inflammables à proximité de cet appareil ou tout autre appareil.
- Étant donné la lourdeur de cet appareil, il est recommandé que deux personnes en fassent l'installation.
- Si votre appareil est équipé avec chauffage, assurez-vous que les ouvertures de la chauffage ne peut pas, dans aucune façon, être recouverts car il peut provoquer un incendie.
- N'exécutez pas le cordon d'alimentation horizontalement, directement en dessous de l'appareil.

Votre appareil est encastré dans le mur. Sélectionnez un endroit approprié qui ne soit pas susceptible d'être humide et qu'il soit éloigné des rideaux, des meubles, et des zones à fort trafic.

note:

Suivez tous les codes électriques nationaux et locaux.

3.1 emplacement de l'appareil

AVERTISSEMENT

- En raison des températures élevées, l'appareil devrait être placé loin des endroits passants. Gardez tous les articles combustibles tels que les meubles, les oreillers, la literie, le papier, les vêtements, et les rideaux à une distance d'au moins 36" (91,4cm) de la façade de l'appareil.
- Ne placez jamais l'appareil électrique à un endroit où il risque de tomber dans une baignoire ou tout autre réservoir contenant de l'eau.
- Portez les gants de protection et des lunettes de sécurité lors de l'installation et de l'entretien.
- Afin d'éviter tout contact avec de l'isolant qui s'affaïsse, l'appareil électrique ne doit pas être installé contre un coupe-vapeur ou de l'isolant à découvert. Une surchauffe localisée peut survenir et un incendie pourrait s'ensuivre.
- L'appareil électrique ne doit pas être exposé aux conditions extérieures (par ex. la pluie, la neige, etc.)

3.2 mis à la terre de l'appareil

! AVERTISSEMENT

- Une prise de courant électrique avec mise à la terre est **obligatoire** avec cet appareil.
- Cet appareil doit être connecté à un circuit de 15 ampères. L'utilisations d'un cordon d'extensions N'EST PAS autorisée.

3.3 dégagements minimaux aux combustibles

Dégagements aux Combustibles	
Bas, Côtés, Arrières, et Haut	0"

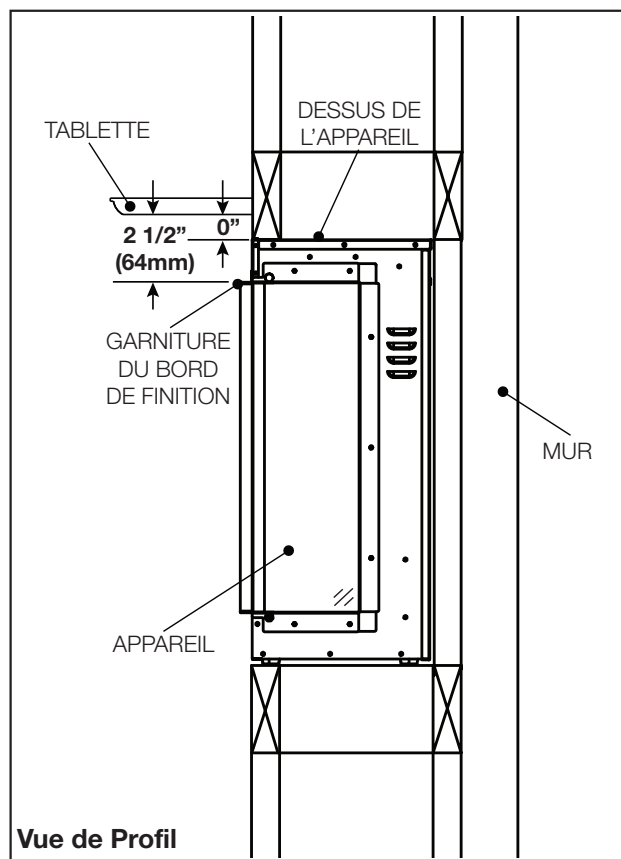
note:

Les mesures sont prises depuis le haut de l'appareil.

3.4 dégagements minimaux de la tablette

! AVERTISSEMENT

- Lorsque vous utilisez de la peinture ou de la laque pour finir la tablette, la peinture ou la laque doit être résistante à la chaleur pour éviter la décoloration.



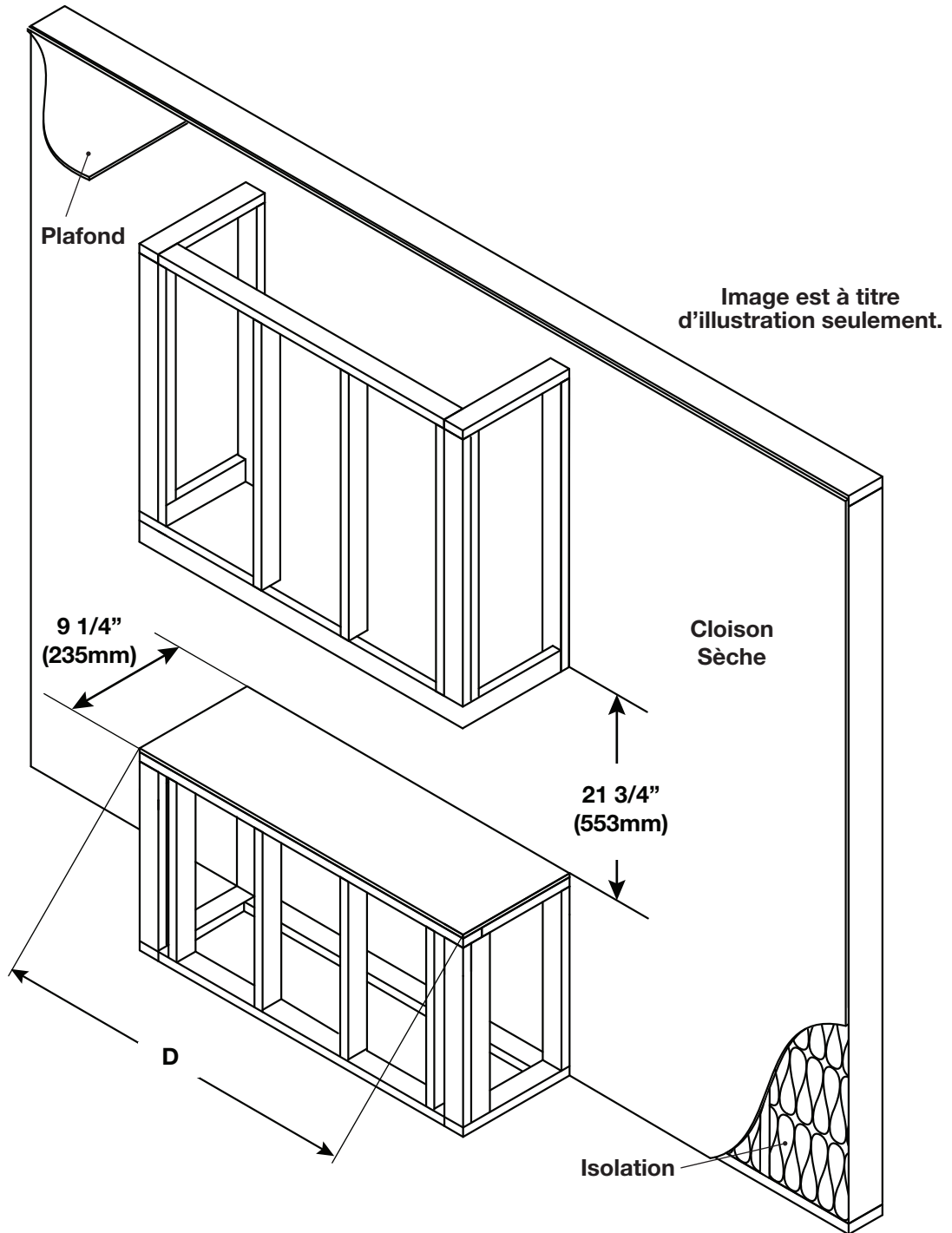
Vue de Profil

note:

Hauteur minimale de la tablette est 0" au-dessus de l'appareil, ou 2 1/2" (64mm) au-dessus de la garniture du bord de finition. Cela est dû à l'ossature renforcé à l'arrière les matériaux de finition.

installation

FR 3.5 ossature approximatif



Réf.	NEFB50H-3SV	NEFB60H-3SV
D	49" (1245mm)	59" (1498mm)

note:

L'appareil **n'est pas** porteur. Considérez attentivement le poids des matériaux de finition lors de la construction de l'ossature approximatif.

Assurez-vous que l'installation conforme à tous les codes et exigences du bâtiment local.

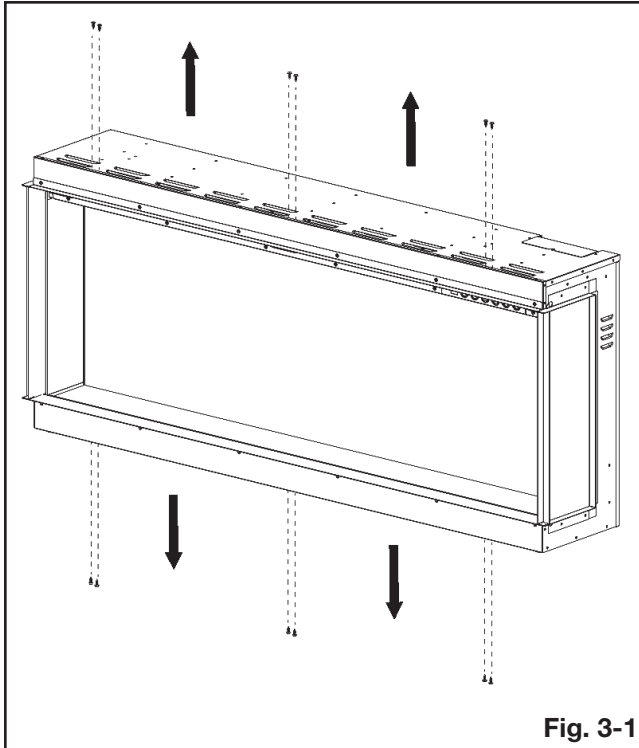
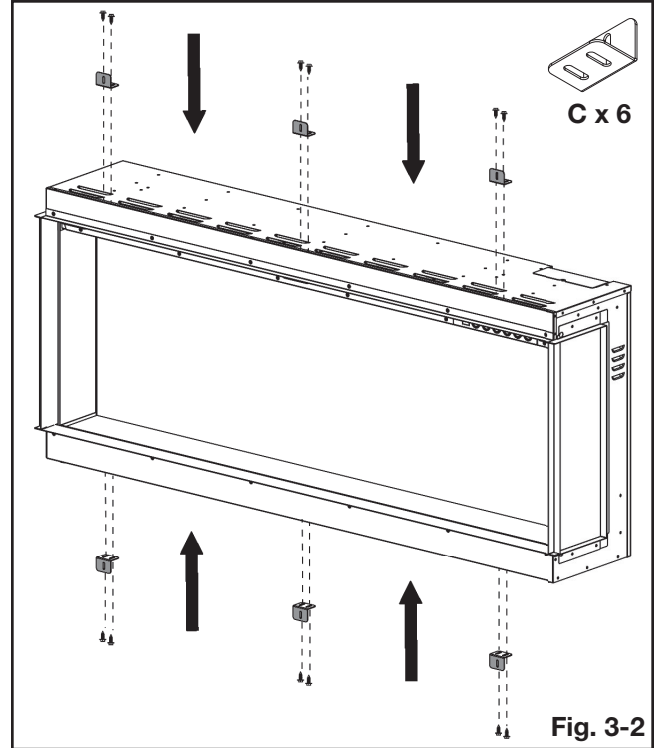
Tous les options de visionnage (un côté, deux côtés [gauche et droit], et trois côtés) utilisés les mêmes dimensions de l'ossature.

3.6 avant-installation avec trois côtés, deux côtés, et un côté de visionnage

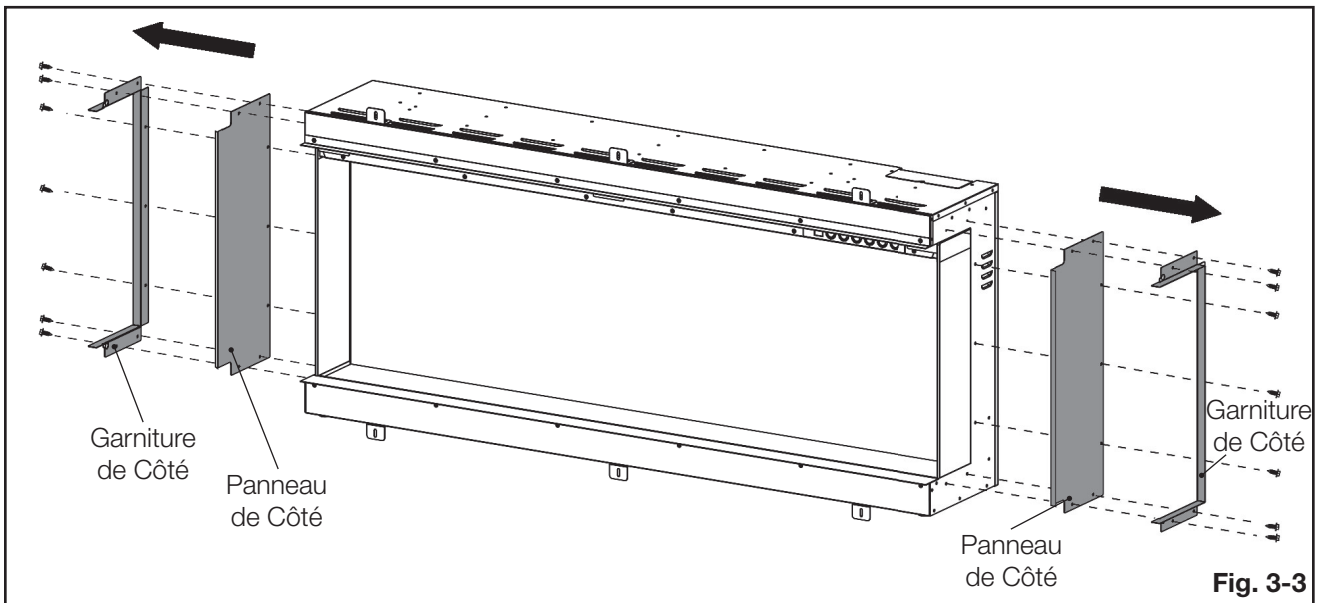
note:

Il est recommandé de poser l'appareil sur une surface stable avant de commencer l'avant-installation.

1. Retirez les 12 vis et rondelles du dessus et dessous de l'appareil (**Fig. 3-1**).
2. Installez les 6 supports métalliques (fournis) à l'aide des 12 vis et rondelles précédemment retiré (**Fig. 3-2**).


Fig. 3-1

Fig. 3-2

3. Retirez les garnitures de côté et les panneaux de côté des deux côtés de l'appareil en retirant les 14 vis (**Fig. 3-3**). Mettez de côté les garnitures de côtés, les panneaux de côtés, et les vis.


Fig. 3-3

installation

FR

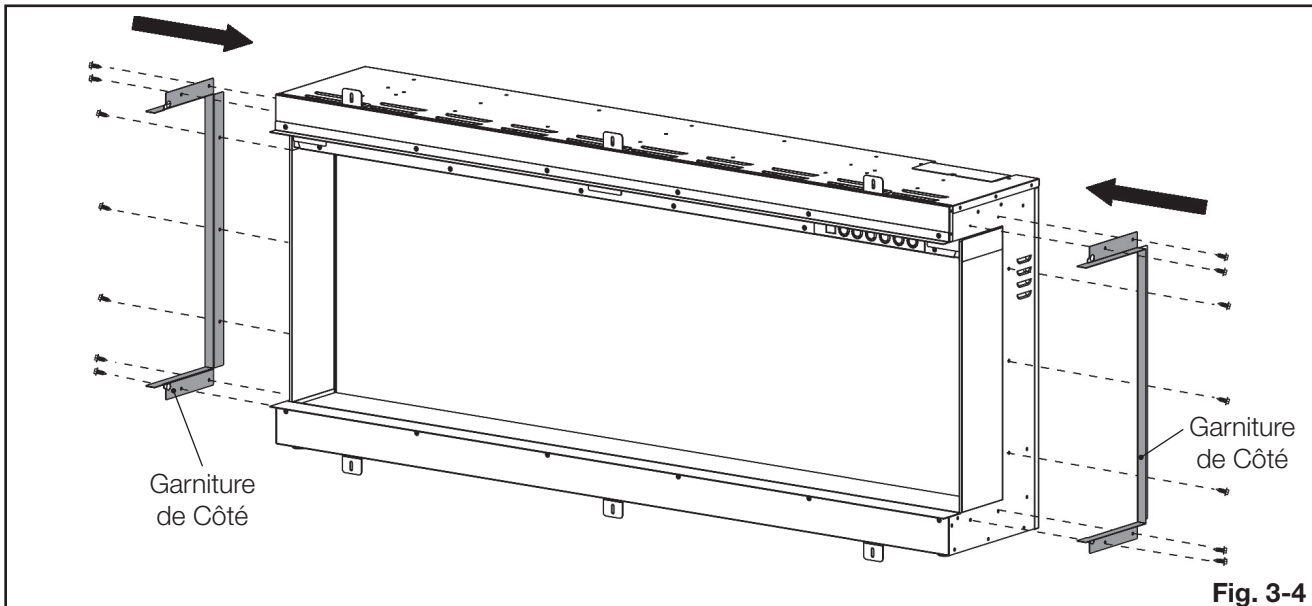
3.7 installation avec trois côtés, deux côtés, et un côté de visionnage

3.7.1 installation avec trois côtés de visionnage

note:

Lorsque vous installez l'appareil avec les deux côtés ouverts, l'appareil aura une vue frontale, aussi qu'une vue des côtés gauche et droit.

1. Ré-sécurisez les deux garnitures de côté à l'aide des 14 vis précédemment enlevé (**Fig. 3-4**).

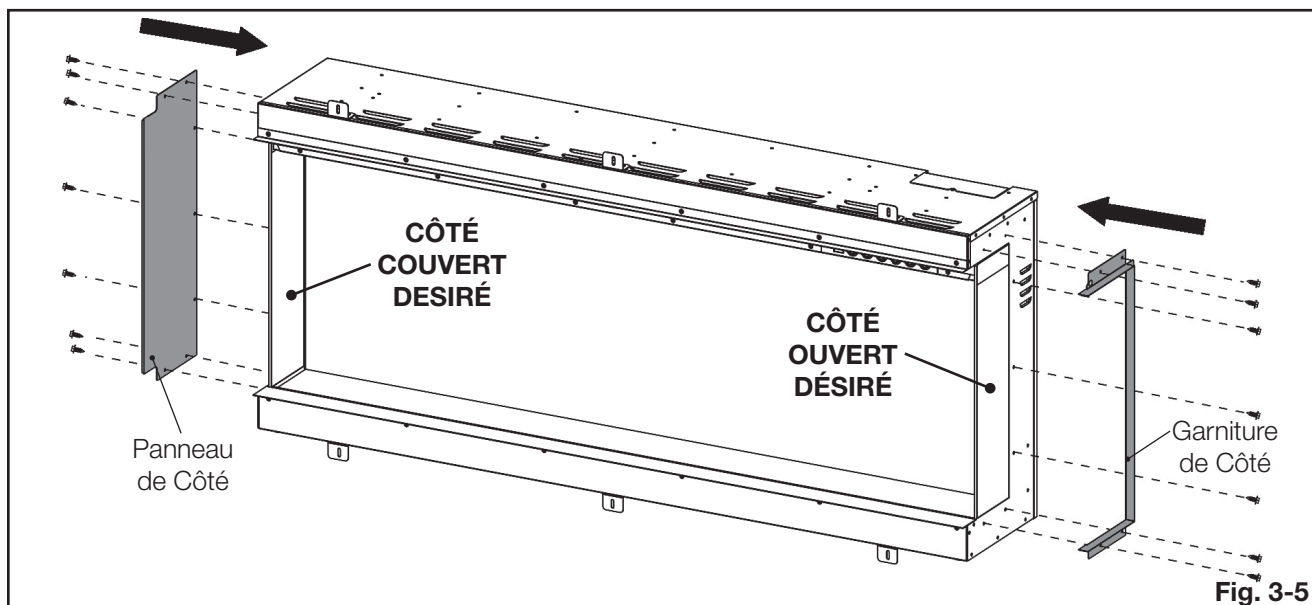


3.7.2 installation avec deux côtés de visionnage

note:

Lorsque vous installez l'appareil complètement encastré dans le mur avec un côté ouvert, l'appareil aura une vue frontale et une vue de côté gauche ou droit, en fonction du côté ouvert désiré.

1. Pour le côté ouvert désiré, ré-sécurisez la garniture de côté à l'aide des 7 vis précédemment enlevé (**Fig. 3-5**).
2. Pour le côté couvert désiré, ré-sécurisez le panneau de côté à l'aide des 7 vis précédemment enlevé (**Fig. 3-5**).



3.7.3 installation avec un côté de visionnage

note:

Lorsque vous installez l'appareil complètement encastré dans le mur avec les côtés droit et gauche couverts, l'appareil n'aura qu'une vue frontale.

1. Ré-sécurisez les deux panneaux de côté à l'aide des 14 vis précédemment enlevé (**Fig. 3-6**).

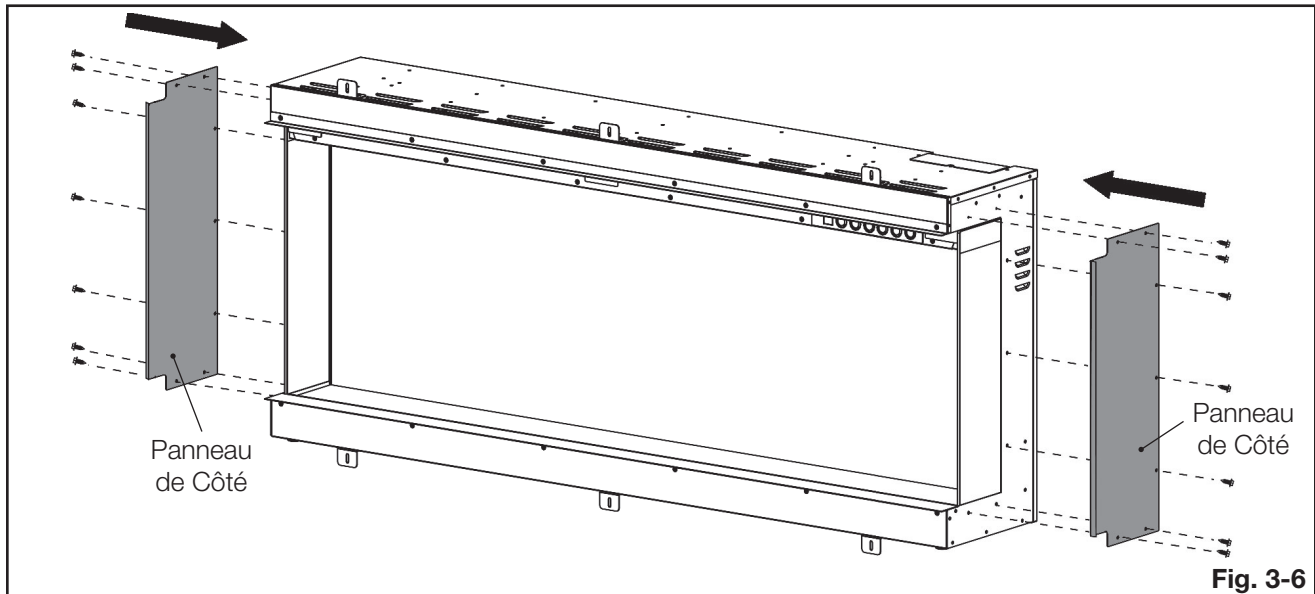


Fig. 3-6

3.8 après-installation avec trois côtés, deux côtés, et un côté de visionnage

1. Complétez le câblage (voir la section « information électrique »).
2. Fixez et testez l'appareil (voir la section « fixer et tester »).
3. Installez les matériaux de finition (voir la section « finitions »).

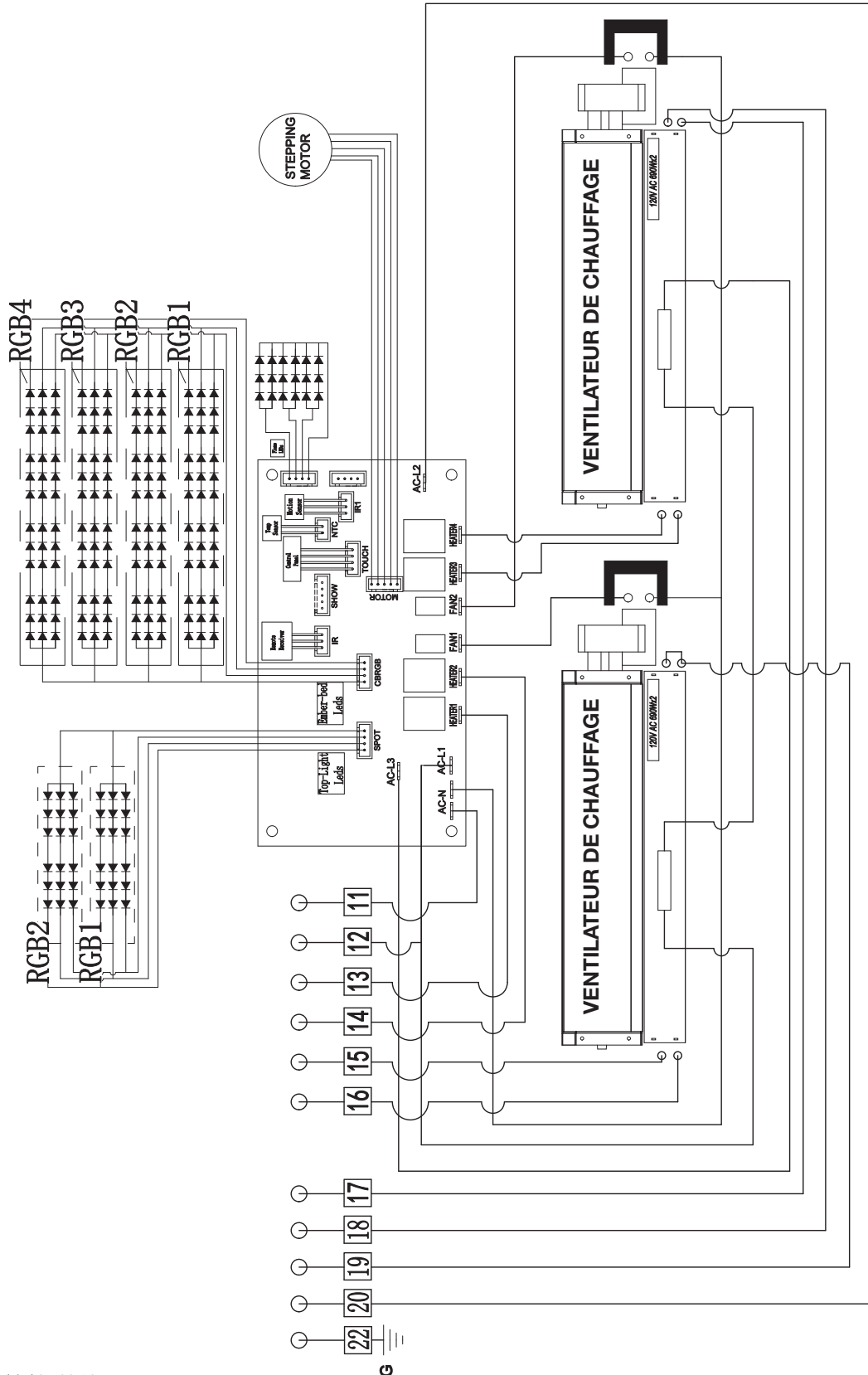
4.0 information électrique

FR

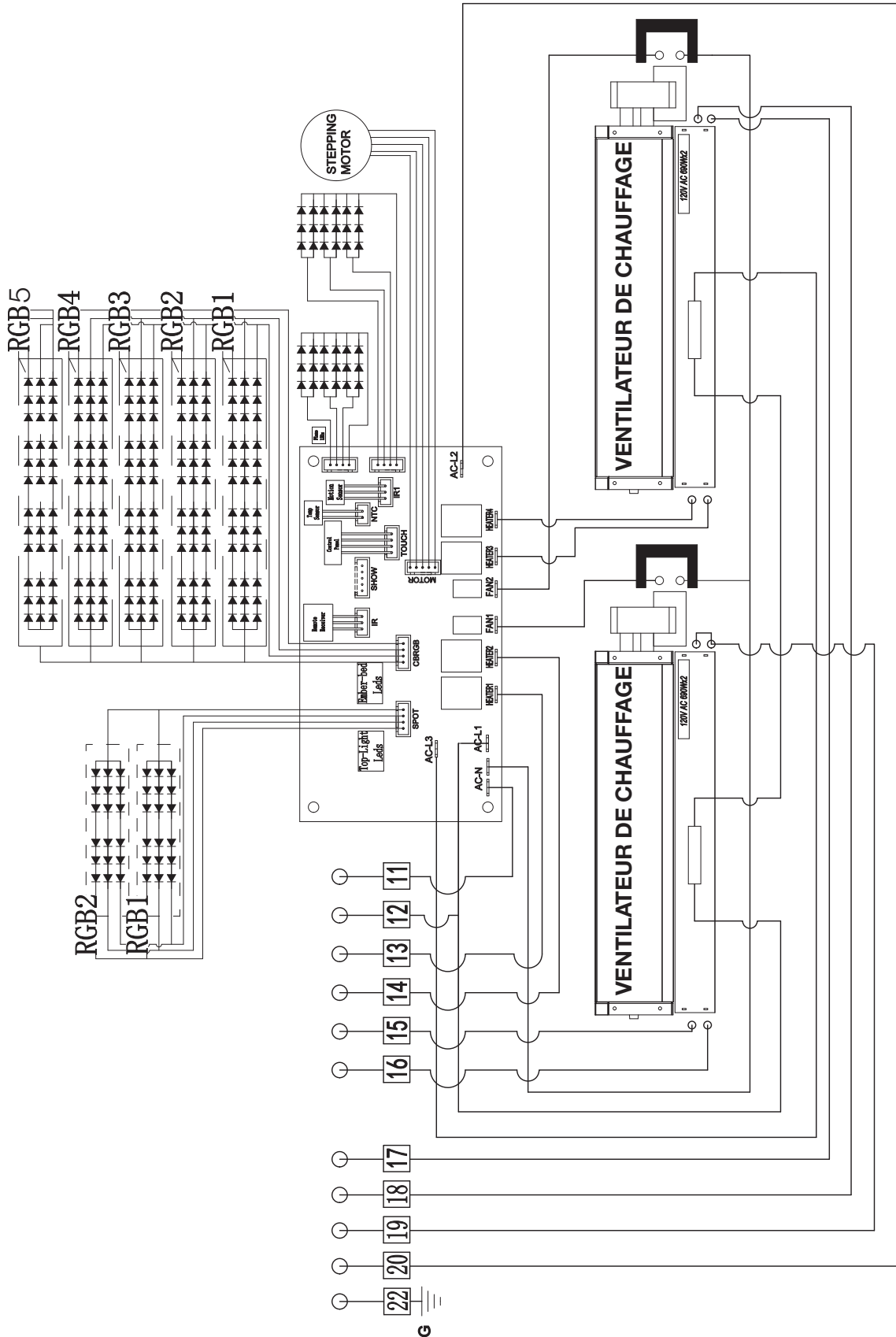
AVERTISSEMENT

- Éteignez complètement l'appareil et laissez refroidir avant de procéder à l'entretien. Seul un technicien qualifié doit servir et réparer cet appareil électrique.

4.1 schéma de câblage pour NEFB50H-3SV



4.2 schéma de câblage pour NEFB60H-3SV



4.3 introduction et préparation de branchement par câble

! AVERTISSEMENT

- Coupez l'alimentation électrique à l'appareil et laissez-le refroidir avant d'effectuer un entretien. Seul un technicien de service qualifié peut effectuer l'entretien ou la réparation de cet appareil électrique.

BRANCHEMENT PAR CÂBLE

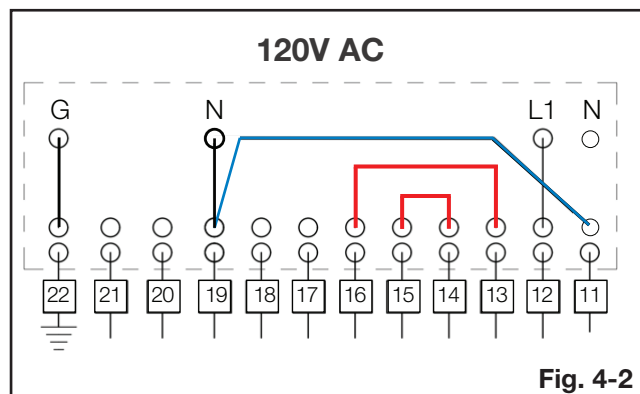
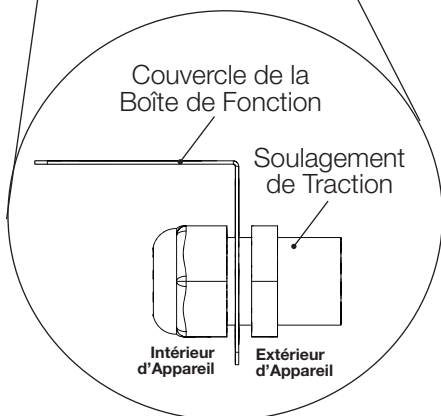
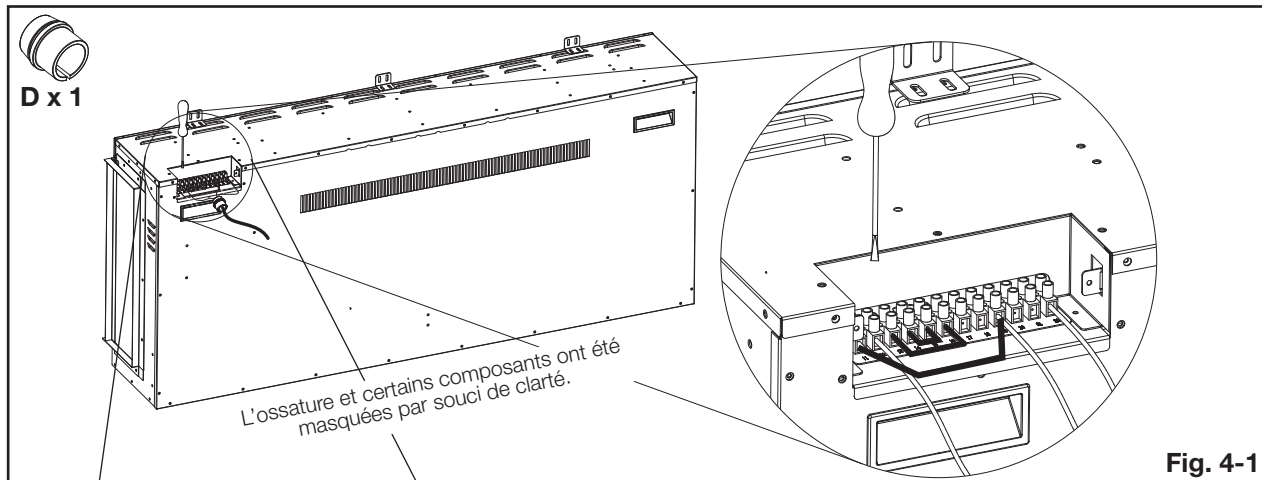
Il est nécessaire de faire branchement par câble avec cet appareil. Un électricien qualifié doit brancher l'appareil directement au câblage de la maison. L'alimentation de disjoncteurs et fils doit être classé pour 120V, minimum 15 amps.

Cet appareil doit être raccordé électriquement et mis à la terre selon les codes locaux ou, en l'absence de tels codes, avec la dernière édition du National Electrical Code ANSI/NFPA 70 aux États-Unis ou le Code Canadien de l'Électricité CSA C22.1 au Canada.

1. Localisez les fils de conducteurs désirés de 14/2 ou 14/3 en haut de l'enceinte pour le branchement par câble basé sur la capacité de la chaleur produits désirée de 120V ou 240V.
2. Retirez le couvercle de la boîte de jonction.
3. Placez l'appareil dans l'ossature approximatif, l'insérez assez loin dans l'enceinte pour localiser les fils d'alimentation du bornier.
4. Insérez les fils d'alimentation de votre maison à travers le couvercle du bornier avec le soulagement de traction (fourni) et localisez les fils au endroit du bornier basé sur sélection de tension désiré (**Fig. 4-1 ou 4-3**).

4.4 branchement par câble 120V

1. Assurez-vous que les fils de raccordement installés en usine se joignent aux bornes 13 à 16, 14 à 15, et 11 à 19.
2. Installez le fil de terre dans borne 22, et le fil L1 à borne 12.
3. Desserez borne 19. Insérez le fil d'alimentation neutre dans borne 19 avec le fil de raccordement qui se connect à borne 11 (**Fig. 4-2**).
4. Réinstallez le couvercle de la boîte de jonction.



4.5 branchement par câble 240V

1. Déménagez les fils de raccordement installés en usine pour joindre les bornes 15 à 18, 16 à 17, et 12 à 19.
2. Installez le fil de terre à borne 22 et le fil d'alimentation neutre à borne 11.
3. Insérez le fil L2 dans borne 20.
4. Desserrez borne 19. Insérez le fil L1 dans borne 19 avec la fil de raccordement qui se connect à borne 12 (**Fig. 4-4**).
5. Réinstallez le couvercle de la boîte de jonction.

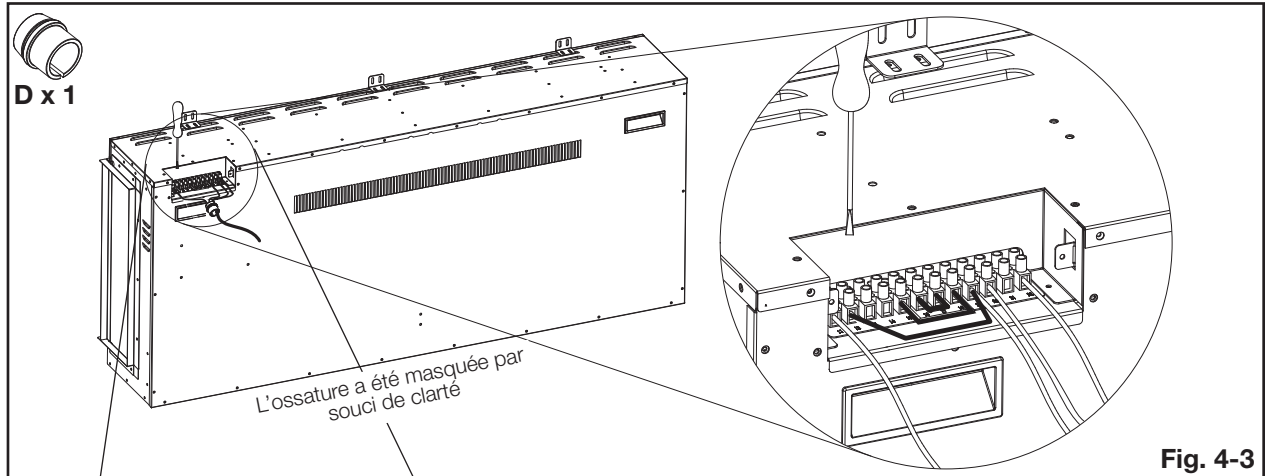


Fig. 4-3

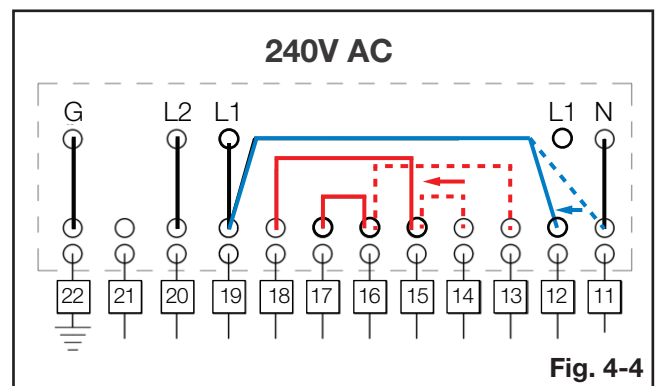
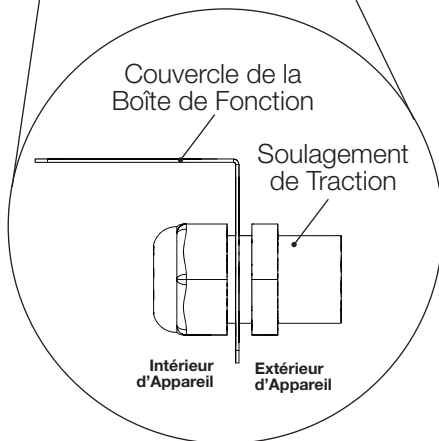


Fig. 4-4

4.6 fixer et tester

1. Sécurisez l'appareil à l'ossature approximatif en installant 6 vis (fournies) aux travers les supports métalliques (**Fig. 4-5**).
2. Allumez l'alimentation électrique et testez toutes les fonctions de l'appareil (voir la section « instructions de fonctionnement »).

note:

Si des fonctions ne fonctionnent pas selon les spécifications du manuel, consultez les configurations des fils et/ou contactez Customer Solutions Napoléon à 1-866-820-8686.

3. Installez les matériaux de finition (voir la section « finitions »).

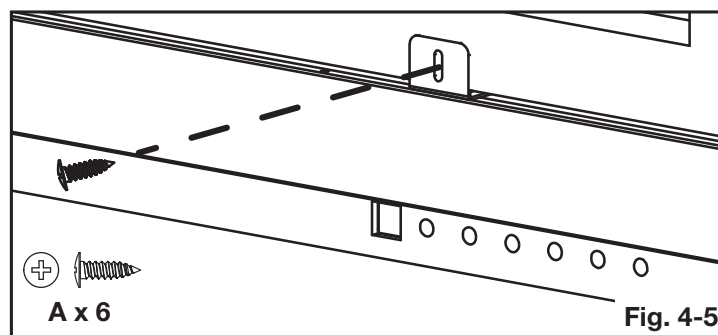


Fig. 4-5

5.0 instructions de fonctionnement

FR

AVERTISSEMENT

- Assurez-vous que les disjoncteurs de la maison pour ce circuit soient allumés. Lorsque vous branchez d'abord l'appareil à une source d'alimentation, l'appareil va faire un « bip » pour indiquer le mode veille.

Une fois que l'appareil a été câblé d'une source d'alimentation dédiée 120V / 140V, il est prêt à fonctionner.







Cet appareil est équipé avec deux assemblées de ventilateur et chauffage. L'une est pour utilisation avec 12V, et l'autre est pour utilisation avec 240V.

5.1 utilisation du panneau de commande

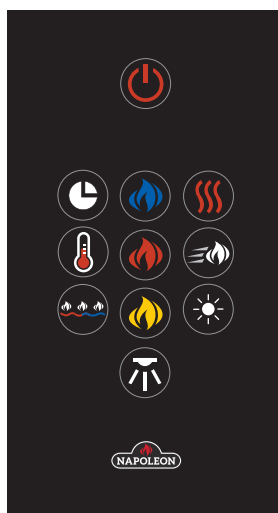


note:

Cet appareil est équipé avec un détecteur de mouvement. Le panneau d'affichage s'allume lorsqu'il détecte un mouvement dans 8" (200mm) au dessous du panneau d'affichage.

Alimentation		Allume et éteint l'appareil.
Contrôle de Température		Contrôle la température de l'appareil. Réglages: 18°C (64°F), 19°C (66°F), 20°C (68°F), 21°C (70°F), 22°C (72°F), 23°C (74°F), 24°C (76°F), 25°C (78°F), 26°C (80°F), 27°C (82°F) et OFF. NOTE: Lorsque vous réglez °C ou °F, le contrôle de température est OFF. Maintenir le bouton enfoncé pendant 5s fera passer la température de °C à °F ou vice versa.
Minuterie		Allume et éteint la minuterie. Réglages: 0 (--), 30 min., 1h, 2h, 3h, 4h, 5h, 6h, 7h, 8h
Contrôle de Chauffage		Allume et éteint le chauffage et ventilateur. Réglages: H0 - Chauffage et ventilateur éteint bL - Ventilateur allume H1 - Chaleur faible H2 - Chaleur forte NOTE: La fonction de chauffage peut être activé/désactivé en maintenant le bouton enfoncé pendant 5s. Lorsque la fonction de chauffage est désactivé, le « LO » sera affiché.
Flamme Bleu		Contrôle la luminosité de la flamme. Réglages: F0 - Flamme éteint F1 - Flamme petite F2 - Flamme moyenne F3 - Flamme brillante F4 - Flamme la plus brillante
Flamme Orange		

5.2 utilisation de la télécommande



Alimentation		Allume et éteint l'appareil.	Couleur de Lit de Braise		Contrôle la couleur du lit de braise pour réglages de luminosité b1 - b4. Réglages: 01 - Jaune 02 - Rouge 03 - Bleu 04 - Lime 05 - Vert 06 - Violet 07 - Bleu faible 08 - Magenta 09 - Blanc brillant 10 - Rose 11 - Blanc faible 12 - Vert faible 13 - Orange faible 14 - Cycle à travers les couleurs 15 - Verrouille à la couleur désiré pendant le cycle 00 - OFF
Flamme Bleu		Contrôle la luminosité de flamme. Réglages: F0 - Flamme éteint F1 - Flamme petite F2 - Flamme moyenne F3 - Flamme brillante F4 - Flamme la plus brillante	Luminosité de Lit de Braise		Contrôle la luminosité de lit de braise pour réglage de couleur 01 - 13 et 15. Réglages: b1 - Faible b2 - Moyen b3 - Brillant b4 - La plus brillant b5 - Effet de souffle
Flamme Orange			Minuterie		Il y a 10 réglages de minuterie: 0 (-), 30 min., 1h, 2h, 3h, 4h, 5h, 6h, 7h, 8h.
Flamme Jaune			Contrôle de Température		Il y a 11 réglages de températures: 18°C (64°F), 19°C (66°F), 20°C (68°F), 21°C (70°F), 22°C (72°F), 23°C (74°F), 24°C (76°F), 25°C (78°F), 26°C (80°F), 27°C (82°F) et OFF. NOTE: Lorsque vous réglez °C ou °F, le contrôle de température est OFF. Maintenir le bouton enfoncé pendant 5s fera passer la température de °C à °F ou vice versa.
Chauffage		Allume et éteint le chauffage et la ventilateur. Réglages: H0 - Chauffage et ventilateur éteint bL - Ventilateur allume H1 - Chaleur faible H2 - Chaleur forte NOTE: La fonction de chauffage peut être activé/désactivé en maintenant le bouton enfoncé pendant 5s. Lorsque la fonction de chauffage est désactivé, le « LO » sera affiché.			
Vitesse de Flamme		Contrôle la vitesse de la flamme pour chaque couleur de flamme. Réglages: 1 - La plus lente 2 3 4 5 - La plus rapide			
Lumière Supérieure		La rotation de couleurs de la lumière supérieure est la même que celle du lit de braise. Voir la section « couleur de lit de braise » pour plus de détails.			

instructions de fonctionnement

FR

5.3 installation de la pile de la télécommande

AVERTISSEMENT

- Cette télécommande nécessite des piles bouton qui sont dangereuses pour les jeunes enfants.
- **AVERTISSEMENT! GARDEZ LES PILES DE LA PORTÉE DES ENFANTS.**
- L'ingestion peut entraîner des blessures graves ou la mort dans moins de 2 heures, en raison des brûlures chimiques et de la perforation potentielle de l'oesophage.
- Si vous pensez que votre enfant a avalé ou inséré une pile bouton, recherchez immédiatement une assistance médicale urgente.
- Examinez les appareils et assurez-vous que le compartiment de la pile est bien fixé que la vis ou autre attache mécanique est serrée. Ne pas utiliser si le compartiment n'est pas sécurisé.
- Éliminez les piles bouton usagées immédiatement et en toute sécurité. Les piles plates peuvent encore être dangereuses.
- Enseignez aux autres les risques associés aux piles bouton et la façon de garder leurs enfants en sécurité.



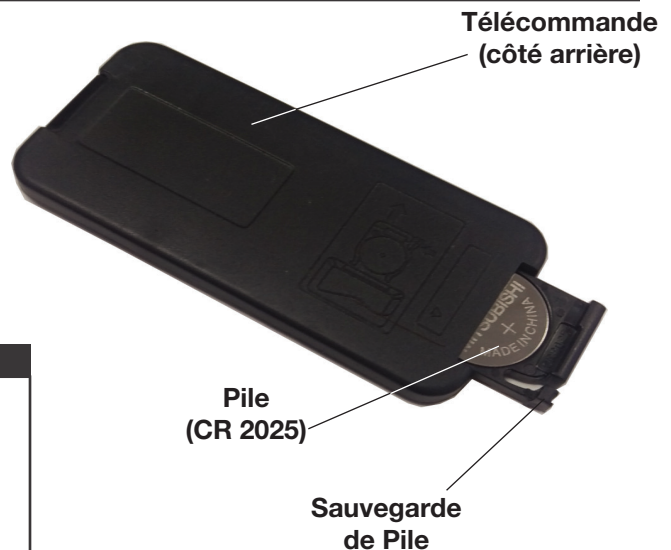
note:

La télécommande dispose d'une languette en plastique amovible pour prolonger la durée de vie de la batterie pendant d'expédition. Retirez la languette de la télécommande pour fonctionner.

1. Pour remplacer la pile existante, retirez la sauvegarde de pile.
2. Pour retirer la sauvegarde de pile, tournez la télécommande sur le côté avant. Faites glisser la sauvegarde de pile vers l'extérieur.
3. Remplacez la sauvegarde de pile existante avec une pile nouvelle (type CR 2025). Faites glisser la sauvegarde de pile dans sa position originale.
4. La sauvegarde de pile est bien fixé à la télécommande lorsque vous entendez un « CLIC ».

note:

Cette télécommande doit rester à moins de 5 mètres (17 pieds) de l'appareil pour être efficace. Cette plage peut être réduite lorsque l'énergie de la pile est épuisée. La télécommande doit être dirigée vers le centre de l'appareil pour qu'elle fonctionne le plus efficacement.



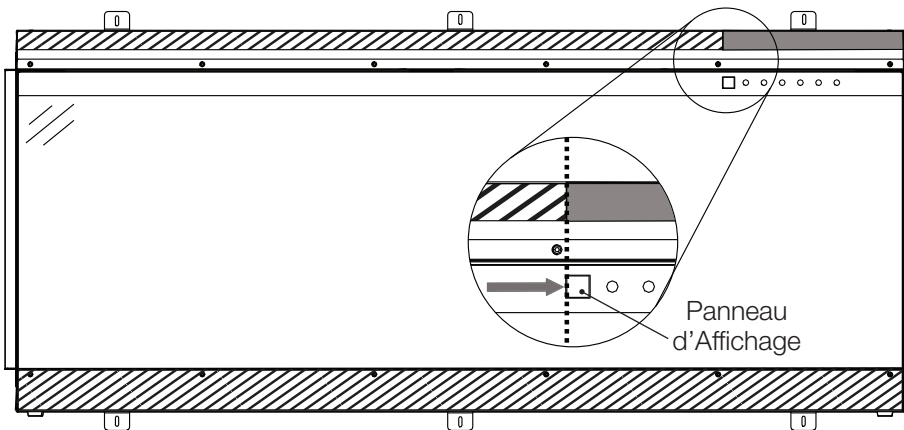
Les piles doivent être mises au rebut conformément aux lois et à la réglementation locales. Certaines piles peuvent être recyclées dans votre centre de recyclage local. Renseignez-vous auprès de votre municipalité au sujet des directives de recyclage.

! WARNING

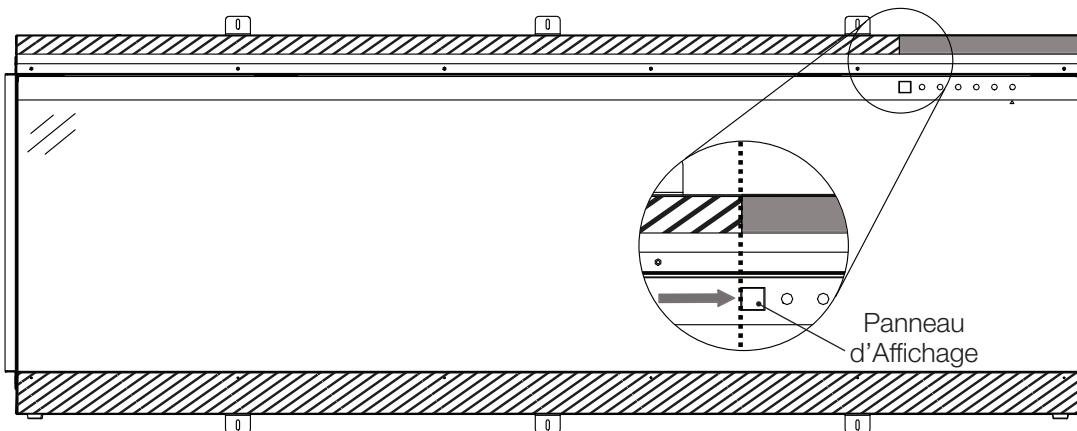
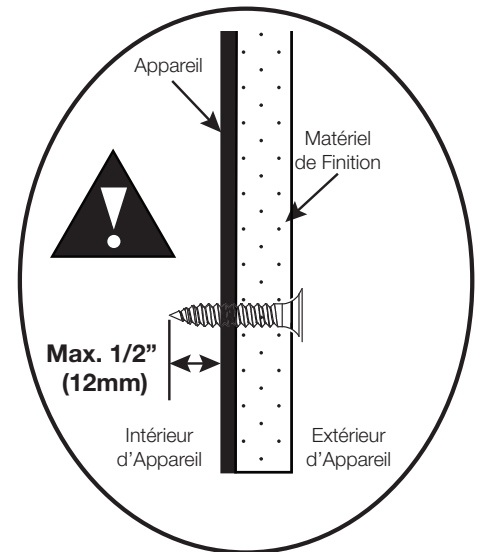
- Risque d'incendie!
- N'obstruez jamais l'ouverture sur le devant de l'appareil.
- Ne frappez, claquez, et n'égratignez pas la porte vitrée. Ne faites pas fonctionner l'appareil lorsque la porte vitrée est enlevée, fissurée ou brisée.
- **Ne finissez pas au-delà de la garniture du bord de finition.** Lorsque vous installez les matériaux au-delà de la garniture du bord de finition, le résultat sera de ne pas pouvoir installer et/ou ouvrir et fermer le panneau vitré avant.
- La poussière de cloison sèche peut pénétrer dans les roulements du ventilateur, en causant le dommage irréparable. Assurez-vous d'empêcher la poussière de cloison sèche d'entrer en contact avec le ventilateur ou ses compartiments. Tout dommage résultant de cette condition n'est pas couvert par la politique de la garantie.

6.1 matériaux de finition

6.1.1 zones autorisées pour les vis



NEFB50H-3SV Illustré



NEFB60H-3SV Illustré



Zone autorisée pour les vis de longueur de 1" (25mm) max. **Ne vissez pas plus de 1/2" (12mm) dans l'appareil.**



La zone restreinte pour les vis. Ne vissez pas dans cette zone.

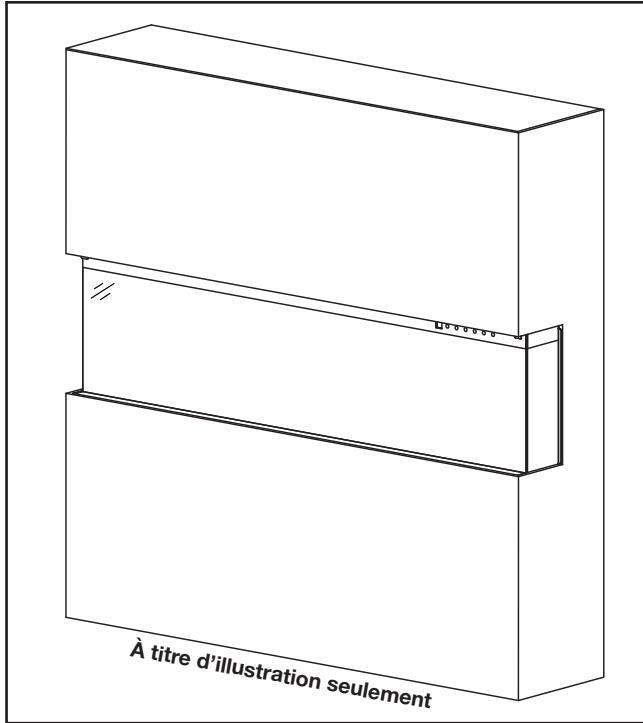
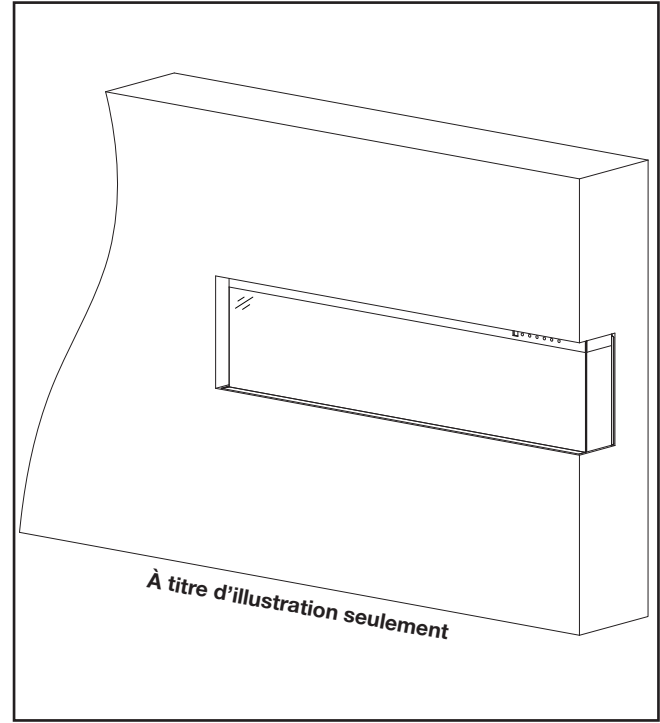
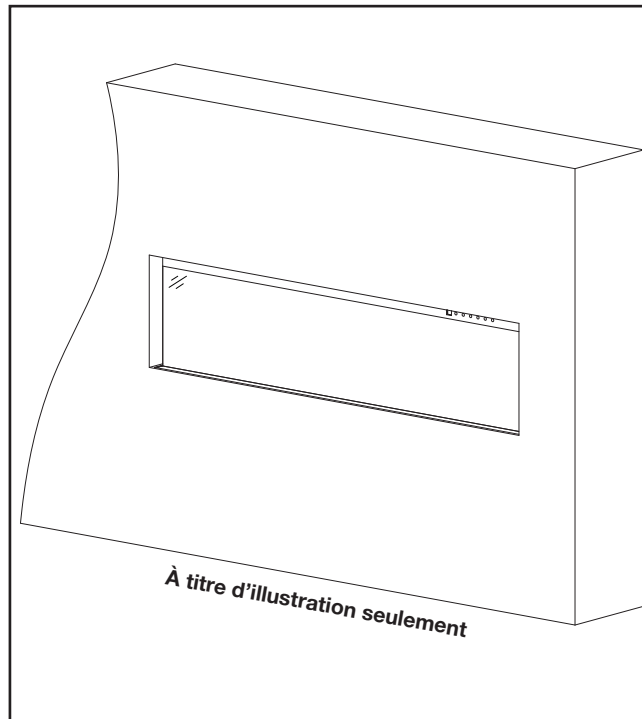
NE VISSEZ PAS DANS LA ZONE RESTREINTE, CE QUI POURRAIT ENDOMMAGER LES COMPOSANTS INTERNES DE L'APPAREIL QUI PEUVENT CAUSER L'APPAREIL DE MAL FONCTIONNER.

6.1.2 installation des matériaux combustibles et incombustibles

1. Installez les matériaux combustibles **ou** incombustibles (c.à.d. contreplaqué, cloison sèche, panneau de ciment, etc.) sur l'ossature approximatif. Assurez-vous que les matériaux sont affleurant avec la garniture du bord de finition de l'appareil.

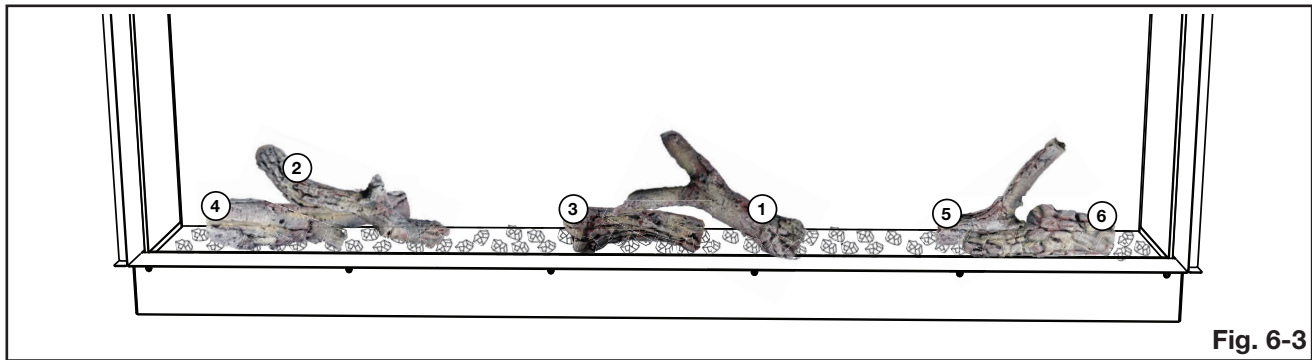
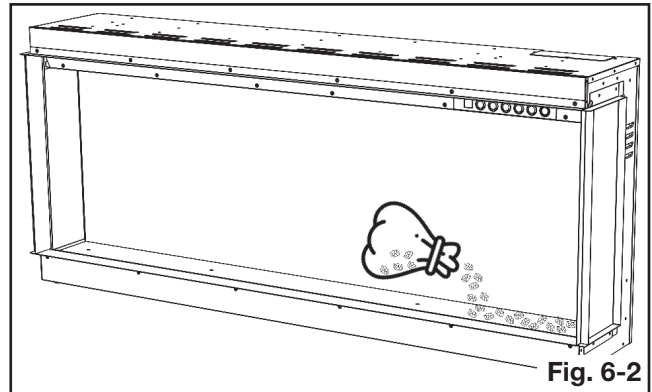
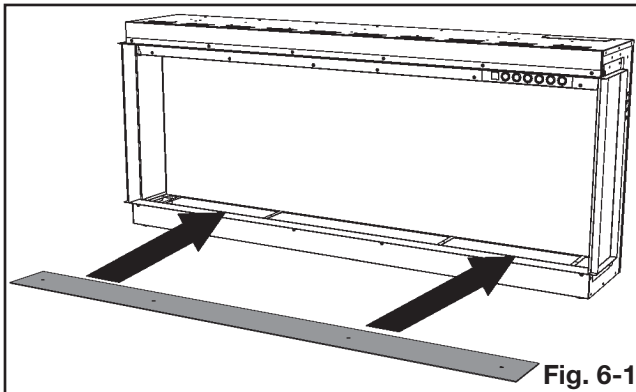
note:

Les matériaux décoratives comme brique, marbre, granit, et tuile doivent être installés sur contreplaqué / cloison sèche / panneau de ciment, etc.

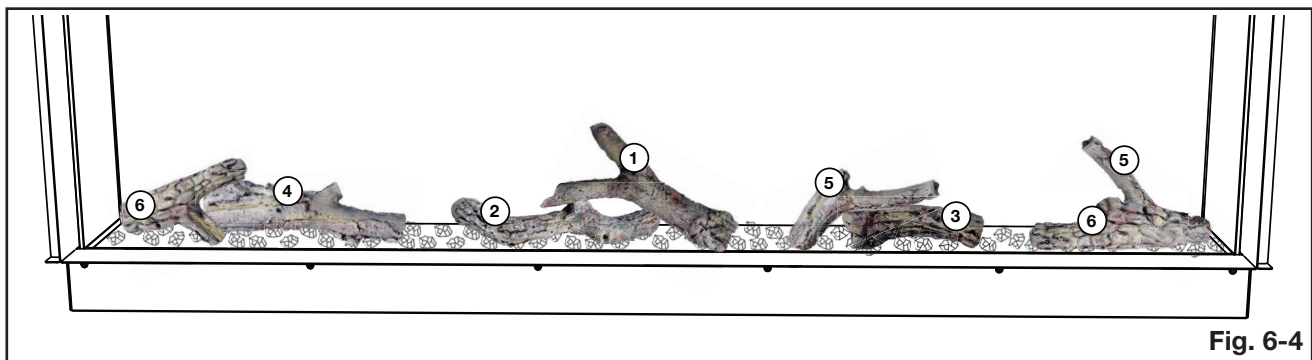
Installation avec Trois Côtés de Visionnage**Installation avec Deux Côtés de Visionnage****Installation avec Un Côté de Visionnage**

6.2 installation des médias

1. Placez le plateau de médias. Assurez-vous que la surface mat face vers le haut (**Fig. 6-1**).
2. Appliquez une couche uniforme des cristaux petits le long du plateau de médias (**Fig. 6-2**).
3. Placez les bûches de bois flotté au dessus des cristaux petits (voir **Fig. 6-3 et 6-4** pour l'emplacement recommandé pour les bûches) **OU** placez les cristaux grands au dessus des cristaux petits.



Emplacement recommandé pour les bûches de NEFB50H-3SV



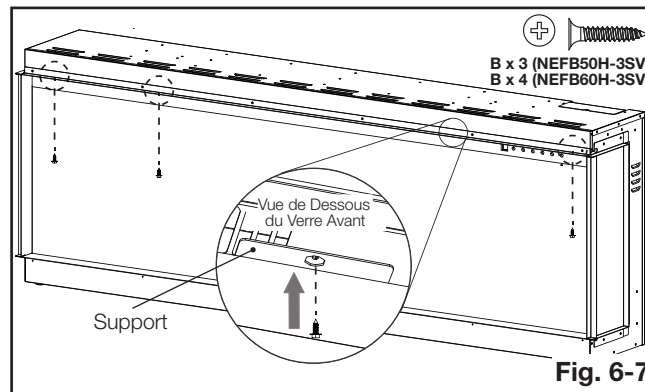
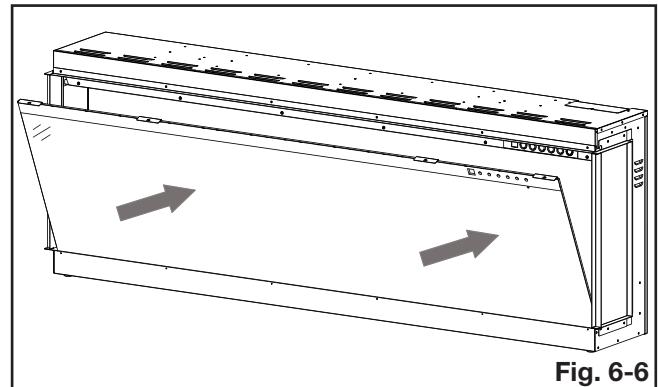
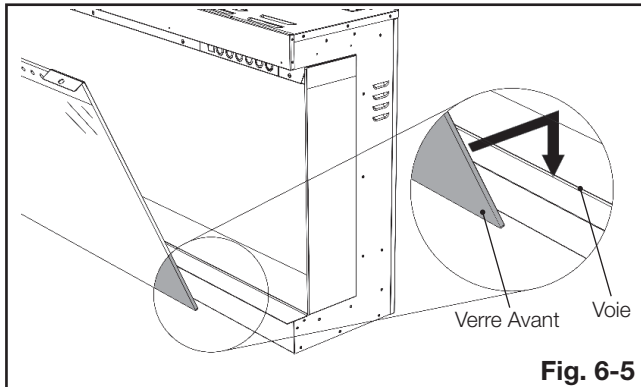
Emplacement recommandé pour les bûches de NEFB60H-3SV

note:

Pour les numéros de pièce des bûches, voir la section « pièces de rechange ».

6.3 installation / enlèvement du verre avant

1. Placez le verre avant dans la voie située dans la chambre de combustion (**Fig. 6-5**).
2. Inclinez le verre avant vers l'avant (**Fig. 6-6**).
3. Sécurisez les vis à tête plate (fournies) à travers les trous de support (**Fig. 6-7**).
4. Inversez ces étapes d'enlever le verre avant.



note:

NEFB60H-3SV illustré au-dessus.

7.0 entretien

⚠ AVERTISSEMENT

- Coupez l'alimentation en gaz et l'alimentation électrique avant de procéder à l'entretien de l'appareil ou de le relocaliser. Tournez les contrôles à « OFF » et retirez la fiche de la prise de courant ou fermez le disjoncteur du circuit de votre appareil.
- Ne jamais aspirer des braises qui sont chaudes.
- Cet appareil nécessite un entretien qui devra être effectué sur une base annuelle.
- À l'aide d'un aspirateur muni d'une brosse souple, aspirez les saletés, les débris et les dépôts de carbone sur les contrôles et les ouvertures d'évents sur l'appareil.
- Pour les braises de verre, suivez les instructions de prénettoyage.
- Le verre avant peut être nettoyé avec un nettoyant pour vitres et en utilisant un chiffon non-abrasif (fourni).

AVERTISSEMENT

- Omettre de positionner les pièces conformément à ce manuel ou d'utiliser uniquement des pièces spécifiquement approuvées pour cet appareil peut causer des dommages matériels ou des blessures corporelles.

Contactez votre détaillant pour les questions concernant les prix et la disponibilité des pièces de remplacement. Normalement, toutes les pièces peuvent être commandées chez votre détaillant autorisé.

Pour un remplacement de pièce sous garantie, une photocopie de la facture originale sera requise afin de pouvoir honorer la demande.

Lorsque vous commandez des pièces, donnez toujours l'information suivante:

- Modèle et numéro de série de l'appareil
- Date d'installation de l'appareil
- Numéro de la pièce
- Description de la pièce
- Fini

Pièces, numéro des pièces et s'il soit disponible peut changer sans préavis.

Parties identifiées comme garnie seront livrés dans 2 à 5 jours pour la plupart des destinations de livraison.

Pièces non identifiées que stockés seront livrés dans un délai de 2 à 4 semaines pour la plupart des cas.

Pièces identifiées comme « SO » sont commande spéciale et peuvent prendre jusqu'à 90 jours pour la livraison.

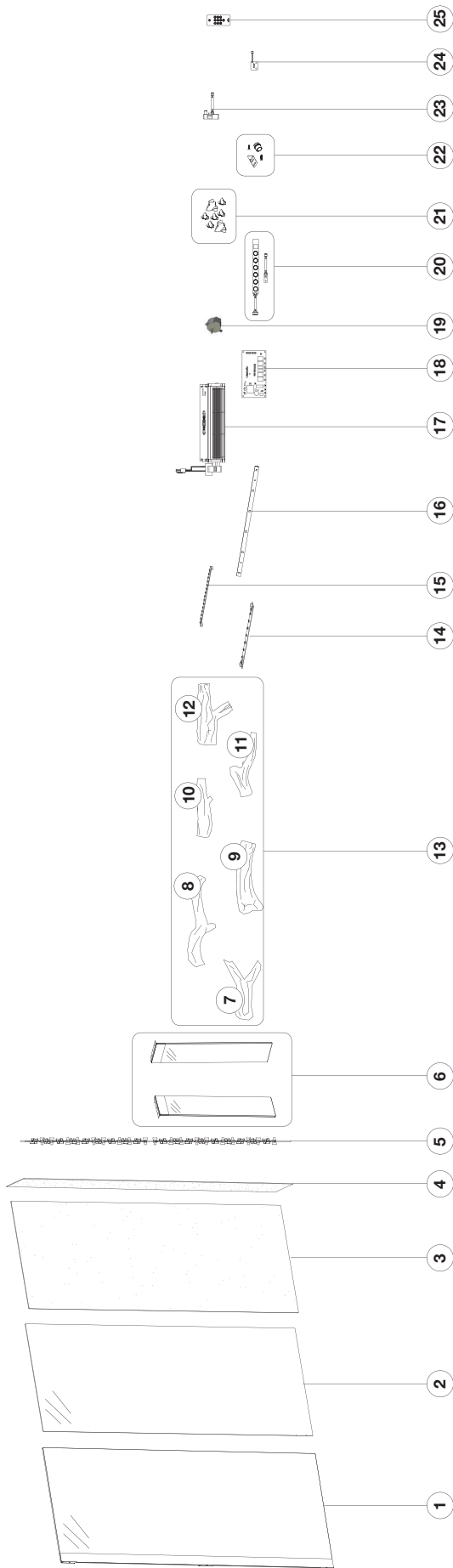
Pour le service après-vente, veuillez contacter 1-866-820-8686.

note:

Utilisez de prudence lorsque vous enlevez et jetez des débris de verre ou des composants endommagés. Assurez-vous d'aspirer tous les débris de verre à l'intérieur de l'appareil avant de le faire fonctionner.

pièces de rechange

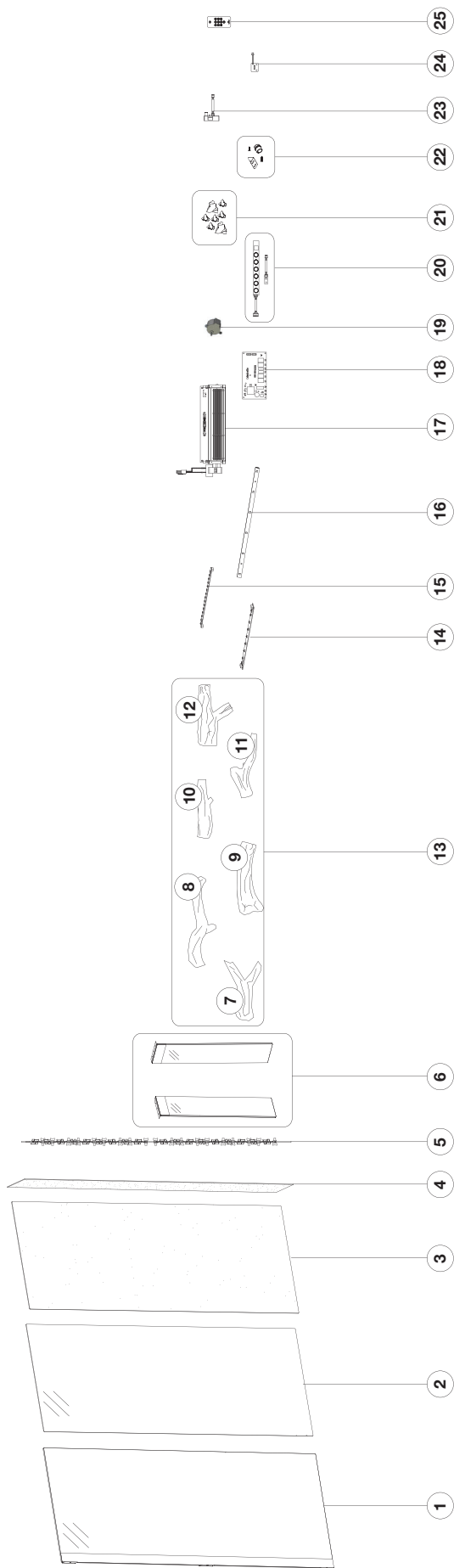
8.1 vue d'ensemble de NEFB50H-3SV



Ces articles peuvent différer de ceux illustrés.

Réf.	No. de Partie	Description	En Stock	Réf.	No. de Partie	Description	En Stock
1	W300-0294-SER	Verre, avant	Oui	15	W405-0069-SER	Lumière, lit de braise DEL	Oui
2	W565-0324-SER	Écran, projection de flamme, verre	Oui	16	W405-0076-SER	Lumière, DEL supérieure	Oui
3	W565-0322-SER	Écran, projection de flamme, plastique	Oui	17	W010-4540-SER	Assemblage, ventilateur et chauffage	Oui
4	W645-0002-SER	Support, médias vitrées	Oui	18	W190-0148-SER	Panneau, PCB principal	Oui
5	W010-4538-SER	Réflecteur	Oui	19	W435-0090-SER	Moteur, rôtisserie	Oui
6	W300-0296-SER	Verre, côté gauche et droit	Oui	20	W010-4541-SER	Panneau de contrôle avec récepteur à distance	Oui
7	W135-0806-SER	Bûche n° 1	Oui	21	W497-0066-SER	Cristaux, grands	Oui
8	W135-0807-SER	Bûche n° 2	Oui	21	W497-0064-SER	Cristaux, petits	Oui
9	W135-0808-SER	Bûche n° 3	Oui	22	W370-0155-SER	Ensemble de quincaillerie	Oui
10	W135-0809-SER	Bûche n° 4	Oui	23	W190-0150-SER	Détecteur de mouvement	Oui
11	W135-0810-SER	Bûche n° 5	Oui	24	W690-0021	Thermostat	Oui
12	W135-0811-SER	Bûche n° 6	Oui	25	W190-0136-SER	Télécommande	Oui
13	GL-710-SER	Ensemble de bûche	Oui				
14	W405-0077-SER	Lumière, flamme DE	Oui				

8.2 vue d'ensemble de NEFB60H-3SV



Ces articles peuvent différer de ceux illustrés.

Réf.	No. de Partie	Description	En Stock	Réf.	No. de Partie	Description	En Stock
1	W300-0295-SER	Verre, avant	Oui	15	W405-0069-SER	Lumière, lit de braise DEL	Oui
2	W565-0325-SER	Écran, projection de flamme, verre	Oui	16	W405-0076-SER	Lumière, DEL supérieure	Oui
3	W565-0323-SER	Écran, projection de flamme, plastique	Oui	17	W010-4540-SER	Assemblage, ventilateur et chauffage	Oui
4	W645-0003-SER	Support, médias vitrées	Oui	18	W190-0148-SER	Panneau, PCB principal	Oui
5	W010-4539-SER	Réflecteur	Oui	19	W435-0090-SER	Moteur, rôtisserie	Oui
6	W300-0296-SER	Verre, côté gauche et droit	Oui	20	W010-4541-SER	Panneau de contrôle avec récepteur à distance	Oui
7	W135-0806-SER	Bûche n° 1	Oui	21	W497-0067-SER	Cristaux, grands	Oui
8	W135-0807-SER	Bûche n° 2	Oui	21	W497-0065-SER	Cristaux, petits	Oui
9	W135-0808-SER	Bûche n° 3	Oui	22	W370-0155-SER	Ensemble de quincaillerie	Oui
10	W135-0809-SER	Bûche n° 4	Oui	23	W190-0150-SER	Détecteur de mouvement	Oui
11	W135-0810-SER	Bûche n° 5	Oui	24	W690-0021	Thermostat	Oui
12	W135-0811-SER	Bûche n° 6	Oui	25	W190-0136-SER	Télécommande	Oui
13	GL-711-SER	Ensemble de bûche	Oui				
14	W405-0077-SER	Lumière, flamme DEL	Oui				

9.0 guide de dépannage

FR

AVERTISSEMENT

- Coupez l'alimentation électrique à l'appareil et laissez-le refroidir avant d'effectuer un entretien. Seulement un technicien de service qualifié peut effectuer l'entretien ou la réparation de cet appareil électrique.

symptôme	problème	solution
L'appareil ne s'allume pas lorsque l'interrupteur est mis à « on ».	L'appareil n'est pas branché dans une prise de courant.	Vérifiez la prise, et branchez dans l'appareil si nécessaire.
	Branchement par câble sont incorrectes.	Voir la section « branchement par câble ».
	L'appareil a surchauffé et le dispositif de sécurité a entraîné le déclenchement de l'interrupteur thermique.	Débranchez l'appareil et le disjoncteur, laissez-le refroidir pendant 15 minutes, puis branchez l'appareil ou allumez le disjoncteur.
	Issue avec le panneau PCB principal.	Inspectez la carte de circuit imprimé et remplacez-le si nécessaire.
L'appareil s'éteint et ne se rallume pas.	Le disjoncteur de la maison s'est déclenché.	Réinitialisez le disjoncteur.
	Le fusible de l'appareil a éteint.	Remplacez le fusible.
	L'appareil a surchauffé et le dispositif de sécurité a entraîné le déclenchement de l'interrupteur thermique.	Débranchez l'appareil et le disjoncteur, laissez-le refroidir pendant 15 minutes, puis branchez l'appareil ou allumez le disjoncteur.
L'appareil est revenue à les paramètres par défaut.	Panne de courant.	Reprogramme l'appareil au paramètres d'origine (pas applicable avec tous les appareils).
La télécommande ne fonctionne pas.	Les piles sont faibles.	Remplacez les piles de la télécommande.
	Dysfonctionnement du récepteur à distance.	Assurez-vous que le récepteur à distance n'est pas bloqué. Remplacez le panneau.
L'appareil n'émet aucune chaleur.	Réglage du chauffage n'est pas sélectionné.	Voir la section « fonctionnement ».
	Le chauffage a été verrouillé.	Voir la section « fonctionnement ».
	La température ambiante est plus élevé que le réglage de l'appareil (si réglée au température de la chambre).	Réinitialisez le réglage pour la température.
	L'appareil a surchauffé et le dispositif de sécurité a entraîné le déclenchement de l'interrupteur thermique.	Débranchez l'alimentation ou éteignez le disjoncteur. Laissez l'appareil refroidir pendant 15 minutes.
	Branchement par câble sont incorrectes.	Voir la section « branchement par câble ».
	Problème avec le chauffage.	Inspectez la soufflerie and le chauffage, et les remplacez si nécessaire.
La chauffage s'éteint automatiquement.	La salle est trop chaude.	L'appareil est équipé d'un thermostat intégré et s'éteindra automatiquement lorsque la température programmée sera atteinte. Il s'allumera automatiquement lorsque la température de la pièce descendra en dessous de la température programmée.

symptôme	problème	solution
La luminosité du jeu de flammes est faible ou inexistante.	Éclat de flamme n'est pas sélectionné.	Voir la section « fonctionnement ».
	Problème avec les flamme DELs.	Vérifiez les DELs et remplacez-les si nécessaire.
	Problème avec le panneau PCB principal.	Vérifiez le panneau PCB principal et remplacez-le si nécessaire.
La flamme ne bouge pas.	Le moteur est calé / ne fonctionne pas	Cycle de marche / arrêt. Si le problème persiste, consultez votre détaillant.
Le lit de braises s'allumme pas ou ne diminue pas en luminosité.	Luminosité n'est pas sélectionné.	Voir la section « fonctionnement ».
	Problème avec les DEL de braises.	Vérifiez les DEL de braises et remplacez-les si nécessaire.
	Problème avec le panneau PCB principal.	Vérifiez la panneau PCB principal et remplacez-le si nécessaire.
DEL clignote « OH ».	L'appareil a surchauffé et le dispositif de sécurité a entraîné le déclenchement de l'interrupteur thermique.	Débranchez l'appareil et le disjoncteur, laissez-le refroidir pendant 15 minutes, puis branchez l'appareil ou allumez le disjoncteur. Si le problème persiste, consultez votre détaillant.
Pas de différence de H1 à H2.	Branchement par câble sont incorrectes.	Voir la section « branchement par câble ».
	Problème avec le panneau PCB principal.	Consultez votre détaillant.
	Problème avec l'élément de chauffage.	Consultez votre détaillant.
Code d'erreur « E1 ».	Problème avec le thermostat.	Consultez votre détaillant.

10.0 garantie

FR

Les appareils électriques **Napoléon** sont fabriqués conformément aux normes strictes du Système de Gestion de la Qualité mondialement reconnu ISO 9001 : 2015.

Les produits **Napoléon** sont conçus avec des composants et des matériaux de qualité supérieure, assemblés par des artisans qualifiés qui sont fiers de leur travail. Une fois assemblé, chaque appareil est soigneusement inspecté par un technicien qualifié avant d'être emballé pour garantir que vous, le client, recevez le produit de qualité dont vous vous attendez de **Napoléon**.

Garantie Limitée Des Appareils Électriques Napoléon

Les composants électriques et les pièces soumises à l'usure sont couverts et **Napoléon** fournira gratuitement les pièces de rechange durant la première année de la garantie limitée. Ceci couvre: le ventilateur/l'appareil de chauffage, les moteurs, les interrupteurs, les roulements à billes en nylon, les télécommandes et les lumières de DEL.

Les ampoules et fusibles **ne sont pas** couvert par le garantie.

Les coûts de main-d'oeuvre relatifs aux réparations garanties ne sont pas couverts.

*La fabrication de chaque modèle varie. La garantie s'applique uniquement aux composants disponibles avec votre appareil.

Conditions et Limitations

Napoléon garantit ses produits contre les défauts de fabrication à l'acheteur d'origine seulement. L'enregistrement de la garantie n'est pas nécessaire. Fournissez simplement une preuve d'achat ainsi que le modèle et le numéro de série afin d'effectuer une réclamation de garantie. **Napoléon** se réserve le droit de demander à son représentant d'inspecter tous produits ou pièces avant d'honorer toute réclamation. L'achat doit avoir été fait par l'entremise d'un détaillant **Napoléon** autorisé et sous réserve des conditions et limitations suivantes:

La couverture de la garantie débute à partir de la date d'installation originale.

Cette garantie du fabricant n'est pas transférable et ne peut être prolongée par aucun de nos représentants.

L'installation doit être faite conformément aux instructions d'installation incluses avec le produit et à tous les codes d'incendie et de construction locaux et nationaux.

Cette garantie limitée ne couvre pas les dommages causés par un mauvais usage, un manque d'entretien, un accident, des altérations, des abus ou de la négligence, et l'installation de pièces d'autres fabricants annulera cette garantie.

Cette garantie limitée ne couvre pas non plus les égratignures, les bossellements, la corrosion ou la décoloration causée par une chaleur excessive, des produits d'entretien chimiques et abrasifs ou l'écaillage de pièces en porcelaine émaillée, le bris par manipulation des bûches Phazer™.

Au cours de la première année seulement, cette garantie s'étend à la réparation ou au remplacement des pièces garanties dont les matériaux ou la fabrication sont défectueux à la condition que le produit ait été utilisé conformément aux instructions de fonctionnement et dans des conditions normales.

Napoléon ne sera pas responsable de l'installation, de la main d'œuvre ou autres coûts ou dépenses relatives à la réinstallation d'une pièce garantie, et de telles dépenses ne sont pas couvertes par cette garantie. Nonobstant toutes les dispositions contenues dans cette garantie limitée, la responsabilité de **Napoléon** sous cette garantie est définie comme ci-dessus et elle ne s'étendra à aucun dommage accidentel, consécutif ou indirect.

Cette garantie définit l'obligation et la responsabilité de **Napoléon** en ce qui concerne l'appareil électrique **Napoléon**.

Toute autre garantie énoncée ou implicite en ce qui concerne ce produit, ses composants ou accessoires est exclue.

Napoléon n'endosse, ni n'autorise aucun tiers à assumer en son nom, toutes autres responsabilités concernant la vente de ce produit.

Tous dommages causés à l'appareil, aux garnitures en laiton ou autres composants par l'eau, les dommages causés par les intempéries, de longues périodes d'humidité, la condensation, des produits chimiques ou produits d'entretien nuisibles ne seront pas la responsabilité de **Napoléon**.

La facture ou sa copie sera requise ainsi que le numéro de série et le numéro de modèle lors d'une réclamation auprès de votre détaillant autorisé. La carte d'enregistrement de garantie doit être retournée dans les quatorze jours pour enregistrer la garantie.

Napoléon se réserve le droit de demander à son représentant d'inspecter tout produit ou pièce avant d'honorer toute réclamation.

Toutes les pièces remplacées en vertu de la politique de la garantie limitée ne peuvent faire l'objet que d'une seule réclamation.

Toutes les pièces remplacées au titre de la garantie seront couvertes pour une période de 90 jours à partir de leur date d'installation.

Le fabricant peut exiger que les pièces défectueuses ou les produits soient retournés ou que des photos numériques soient fournies pour valider la réclamation. Les produits retournés doivent être expédiés port payé au fabricant pour une inspection en usine. Si un produit est déclaré défectueux, le fabricant le réparera ou le remplacera.

Avant d'expédier votre appareil ou les pièces défectueuses, votre détaillant doit obtenir un numéro d'autorisation. Toute marchandise expédiée à notre usine sans autorisation sera refusée et retournée à l'expéditeur.

Les coûts d'expédition ne sont pas couverts par cette garantie.

Des frais de service supplémentaires peuvent être appliqués si vous cherchez à obtenir des services au titre de la garantie auprès d'un détaillant.

Toutes les spécifications et les conceptions sont sujettes à modifications sans préavis en raison des améliorations constantes apportées aux produits. **Napoléon** est une marque de commerce déposée de Wolf Steel Ltée.

NAPOLÉON CÉLÈBRE PLUS DE 40 ANS D'EXISTENCE CONSACRÉS À LA CONCEPTION DE PRODUITS DE CONFORT



7200, Route Transcanadienne, Montréal, Québec H4T 1A3
24 Napoleon Road, Barrie, Ontario, Canada L4M 0G8
214 Bayview Drive, Barrie, Ontario, Canada L4N 4Y8
103 Miller Drive, Crittenden, Kentucky, USA 41030

Téléphone: 1-866-820-8686
napoleon.com