

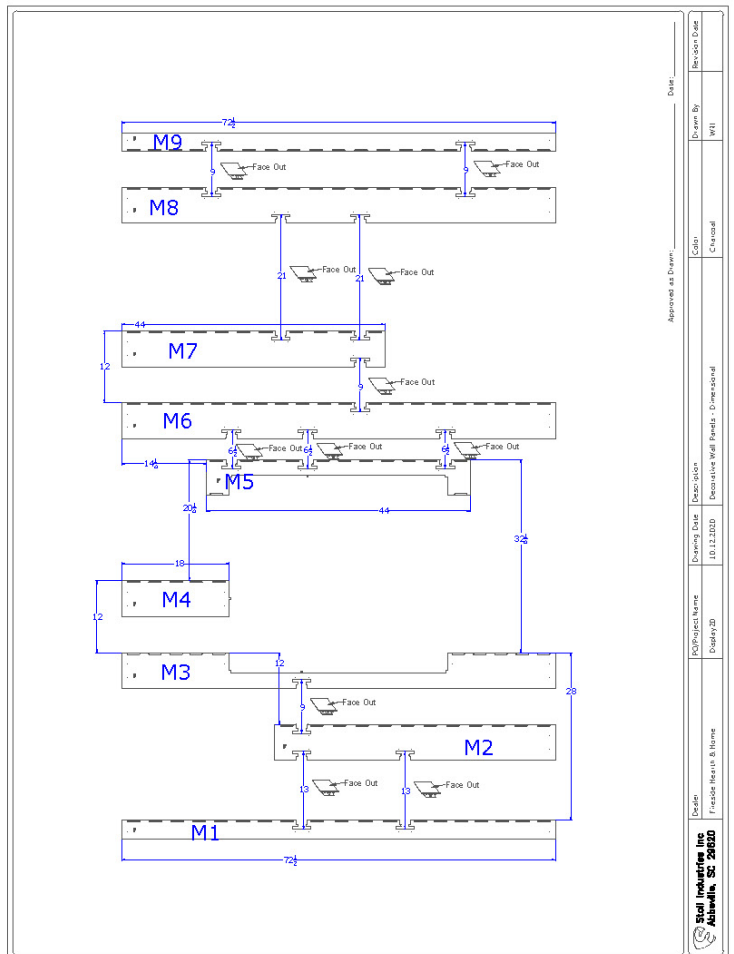
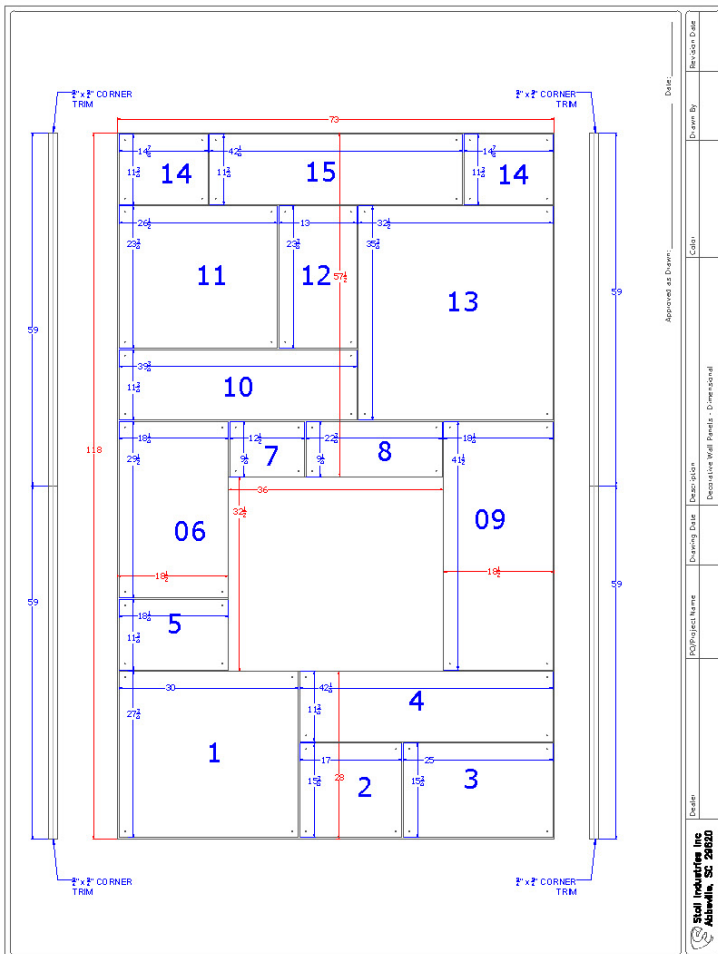
Dimensional Wall *Assembly & Installation*

Thank You!

Thank you for purchasing a Stoll Wall System! We are confident this quality product will last you for years to come. If you need further help or additional information regarding installation, please reach out to your local dealer for assistance.

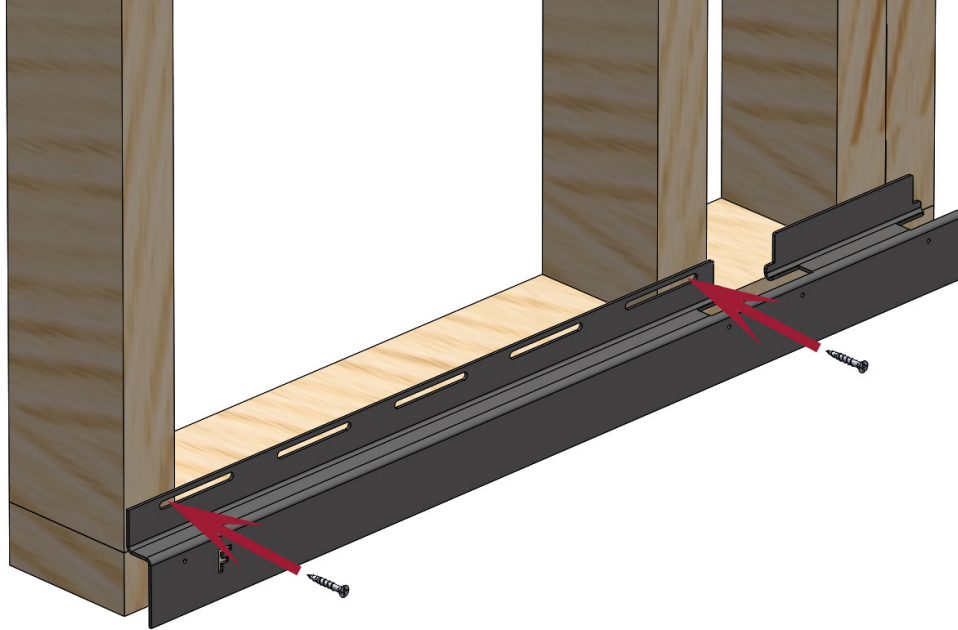
Understanding the CAD drawing

Each Dimensional Wall will include two CAD drawings. The primary sketch will show the panel layout as well as number the panels for their intended location. The second sketch will show a layout of the mounting brackets. Labels on the sketch will correspond to labels attached to each individual bracket. This sketch will also provide the locating dimensions for all of the mounting brackets.

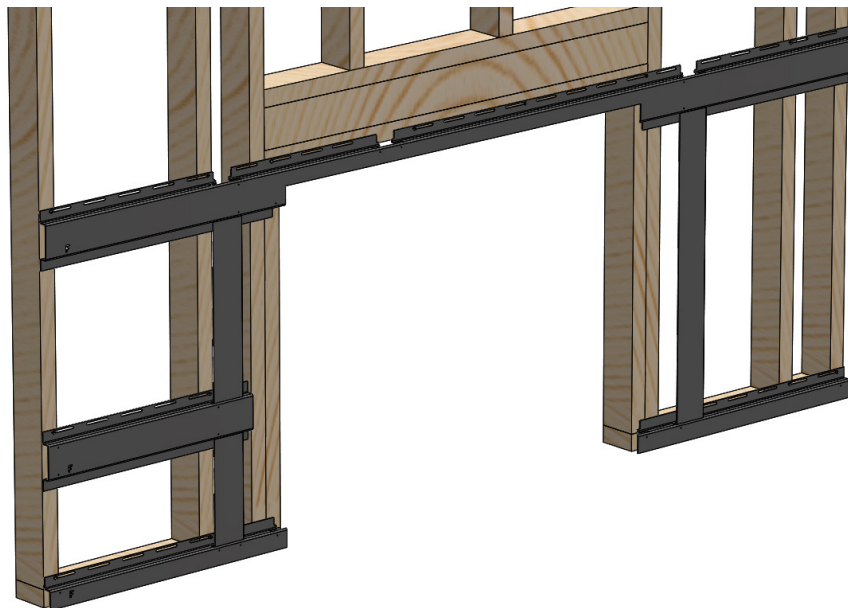


Mounting Hardware Assembly

1. All mounting hardware will be installed first, starting at the bottom. Locate all bottom wall mounting brackets, per CAD drawing and the bracket labels.
2. Position and level the brackets at the bottom of the wall. Locate studs, and fasten brackets securely to the wall, being sure all brackets are level and on an equal plane.

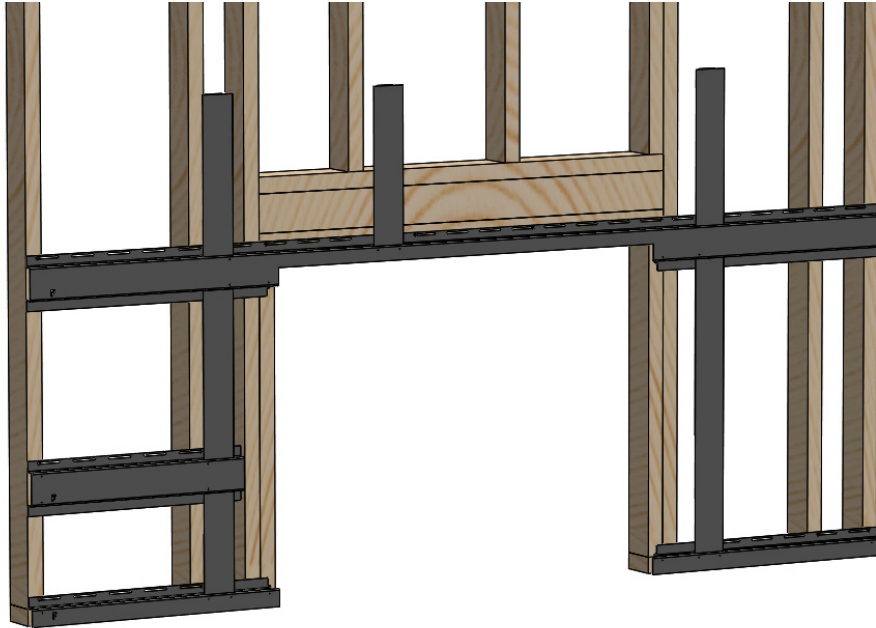


3. Referencing the CAD drawing, locate the appropriate length middle mounting brackets.
4. Place the brackets vertically in the provided slot, with the wide side facing out.

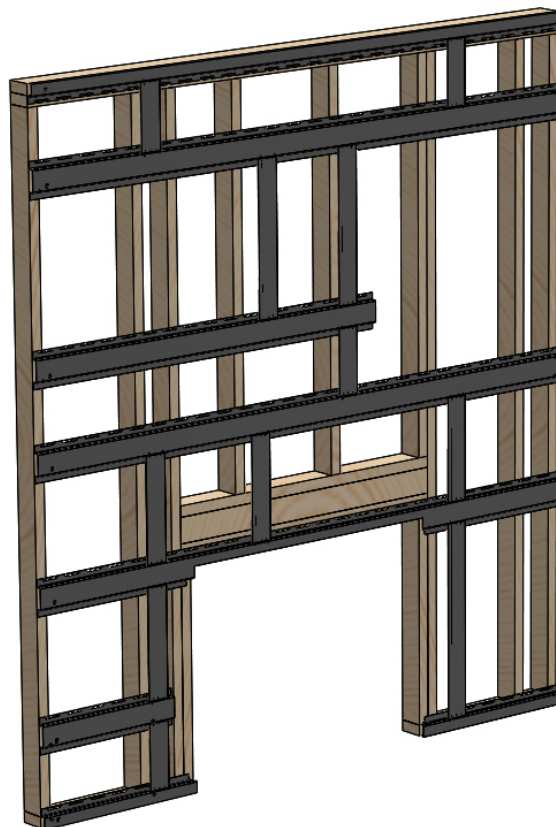


Mounting Hardware Assembly

5. Referencing the CAD drawing, locate the next row of horizontal mounting brackets.
6. Position and level the horizontal brackets as designated on the CAD drawing. Ensure that the vertical brackets are positioned in the provided slots of both rows of horizontal supports.



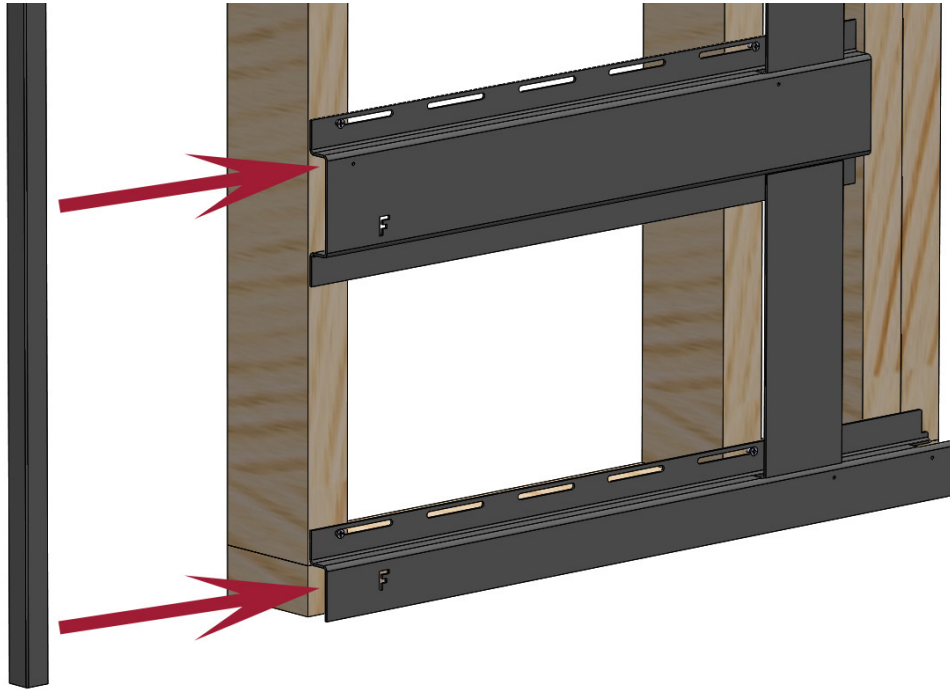
7. Repeat these steps for each row, until all mounting hardware is installed.



Panel Installation

8. Locate the corner trims. (*The corner trims are installed after the mounting hardware, but BEFORE the metal wall panels.*)

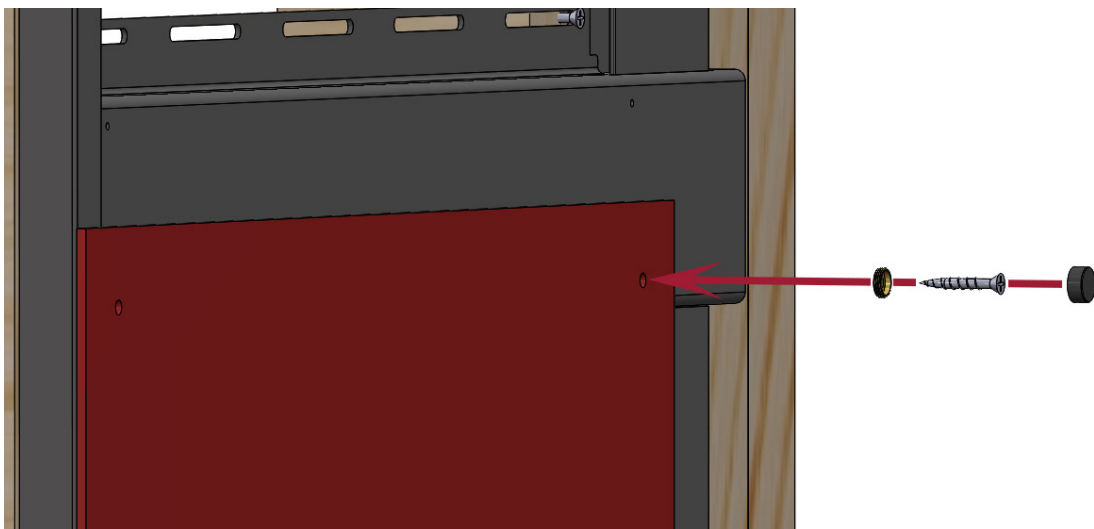
9. Install each corner trim as you install the bottom panel on each edge. The panels will hold the trims in place as you complete the installation process.



10. Referencing the CAD drawing, locate the first row of wall panels.

11. Mount each panel using the provided screws and threaded brass washers. Fasten screws through the threaded washers into the provided holes in each wall panel and mounting bracket.

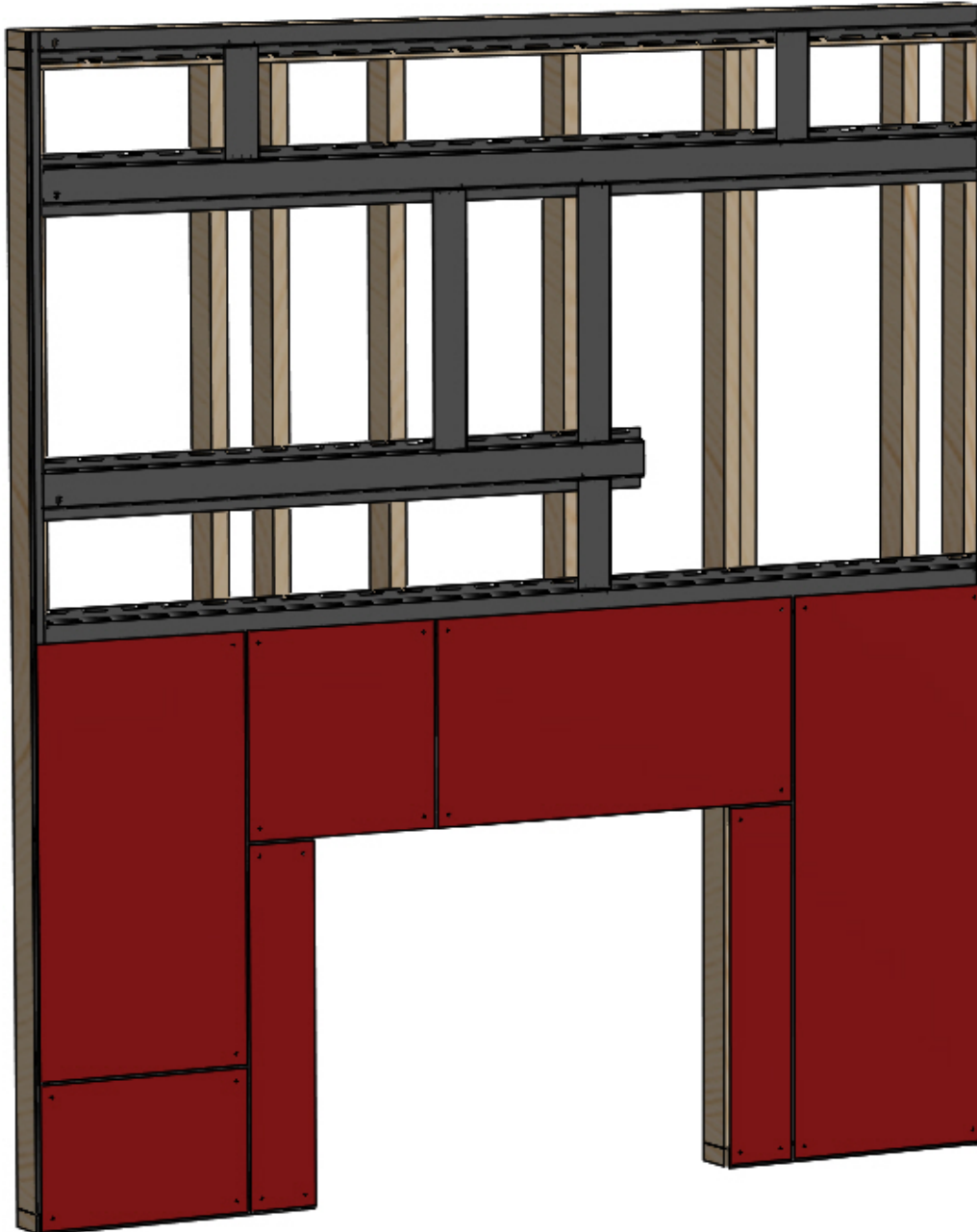
Reminder: *As you install the first bottom panel on each corner/edge of the wall, ensure that you place the corner trim behind the panel, it will be pinched between the panels and the mounting brackets.*



Panel Installation

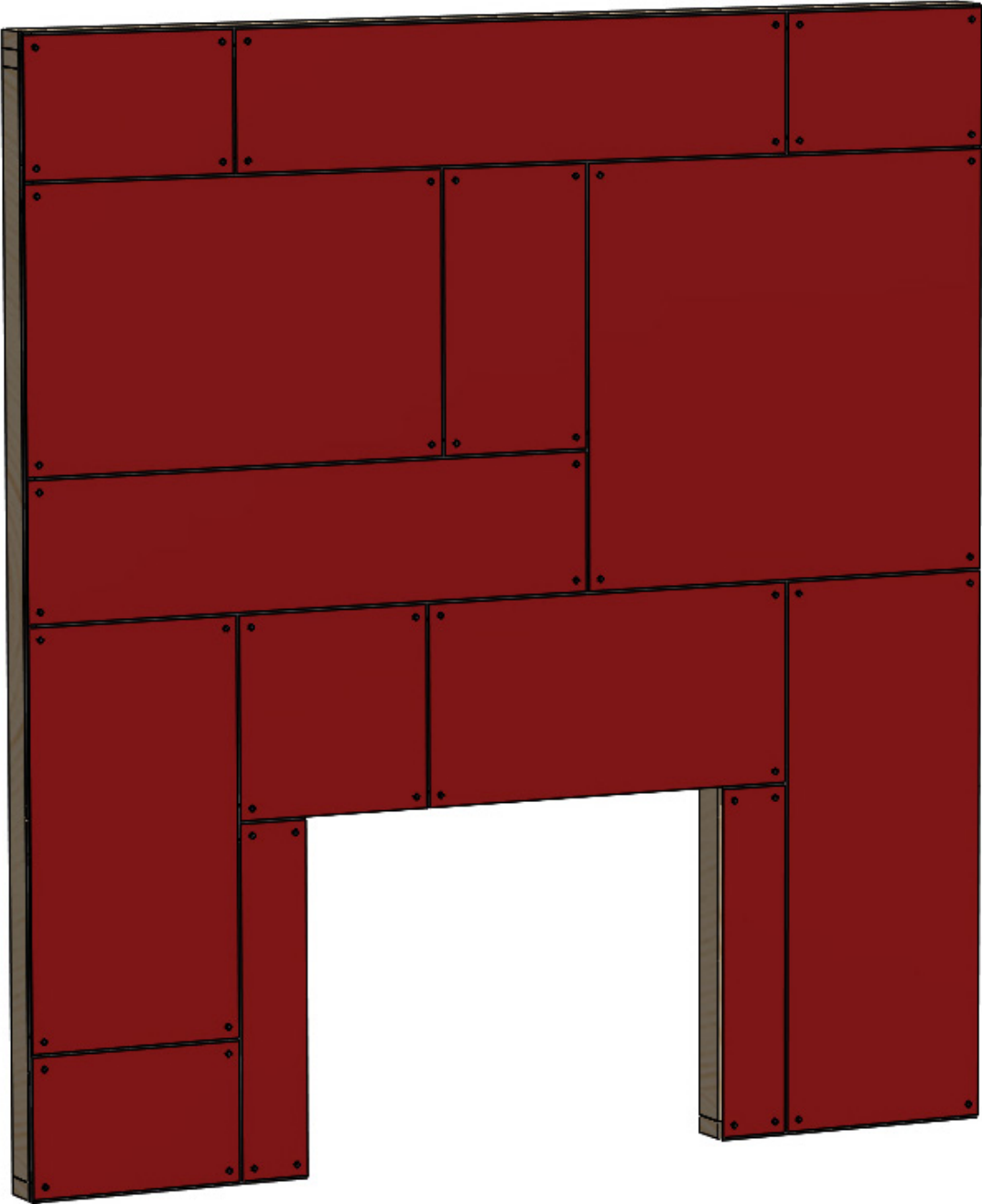
12. Repeat these steps for each row of panels, until all panels are installed. (Note) If necessary, loosen the mounting hardware fasteners to assist in squaring the panels with the mounting hardware, and aligning the pre-drilled rivet holes.

13. To complete the install, ensure all fasteners are tightened correctly. Cover all fasteners with the provided caps.



Completion

Enjoy your finished product!



Operation & Maintenance

- Excessive heat can cause damage to your product and the finish powdercoat. A very hot wood or gas fire, hot coals, embers, ashes, and/or logs coming in contact with the back of the product can cause discoloration or more serious damage. This type of damage, caused by overheating, is considered abuse and is not covered under warranty.
- Your Stoll product can be cleaned using a damp cloth, or mild household cleaner. To avoid damage to the finish, cleaners containing ammonia or other harsh chemicals should be avoided.

Warranty

Your Stoll Products are covered by a 5 year limited warranty. For more information, please visit www.stollindustries.com/resources/. All warranty claims must be placed through your local dealer.

WARNING

This product can expose you to chemicals including Carbon Black, which is known to the state of California to cause Cancer. For more information go to www.P65Warnings.ca.gov