



Freestanding Screen

Assembly & Installation

Thank You!

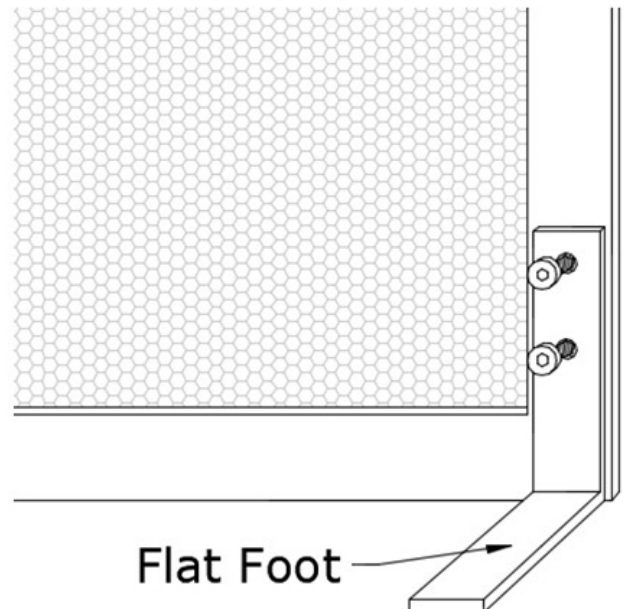
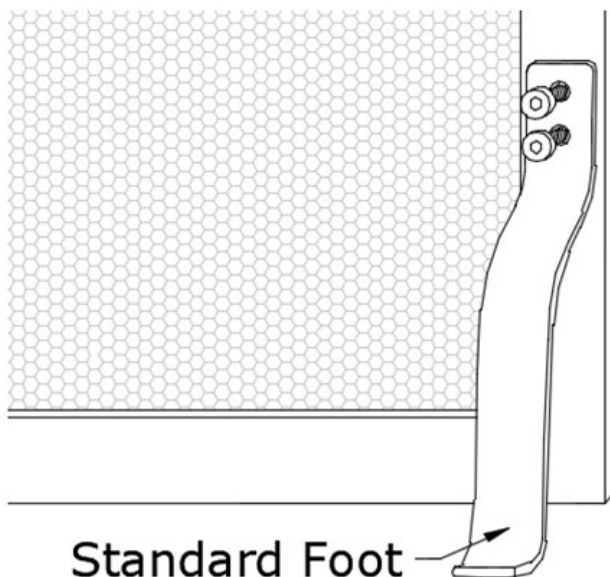
Thank you for purchasing a Stoll Screen! We are confident this quality product will last you for years to come. If you need further help or additional information regarding installation, please reach out to your local dealer for assistance.

Parts & Materials

- A. Front Foot (Standard or Flat): 2
- B. Back Foot: 2
- C. Hex Head Bolts: 6
- D. Masonry Kit with Brackets & Fasteners *(if applicable)*

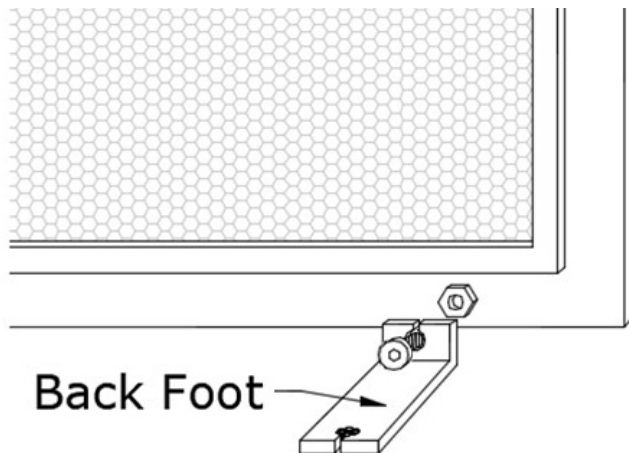
Front Feet

1. Attach each front foot using 2 hex head bolts *(provided)*.



Back Feet

2. Attach each back foot using 1 hex head bolt (*provided*).



Working Doors (if applicable)

Warning: Screen can tip forward when doors are opened, if not fastened using one of the following mounting methods.

Working Doors Mounting Option 1

3a. Remove the mesh doors from the main frame.

3b. (*Masonry application only*) Attach the top of the screen to the lintel using the provided Lintel Clamps. Assemble Lintel Clamps by threading an adjustment nut, flat washer, and Lintel Bracket onto the 6" long threaded bolts (*Figure A*). Thread the 6" bolts into the mounting nuts on the top of the Screen frame. Rotate the Lintel Clamps up behind the lintel, and snug down the adjustment nuts, gripping the lintel and securing the top of the frame in place (*Figure B*).

3c. Re-install the mesh doors.

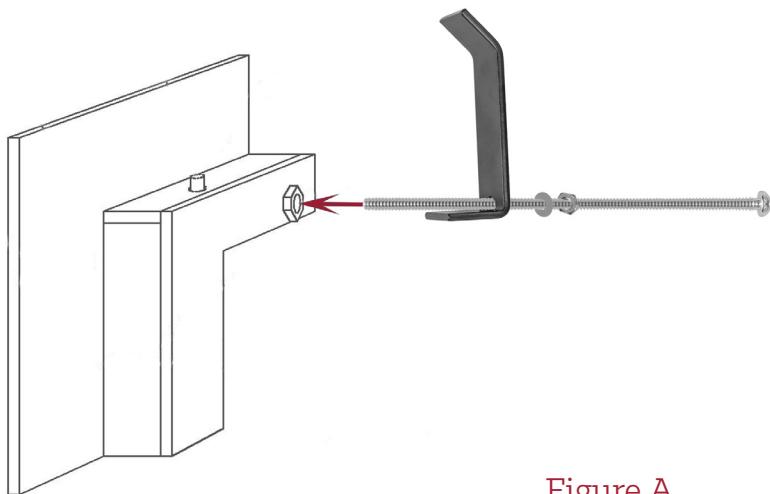


Figure A

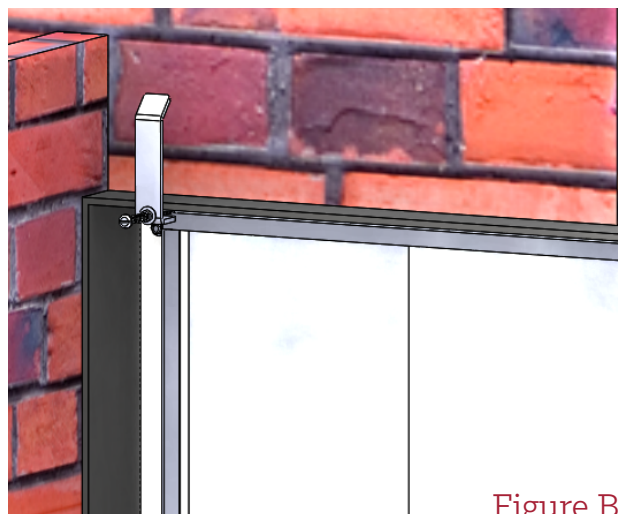
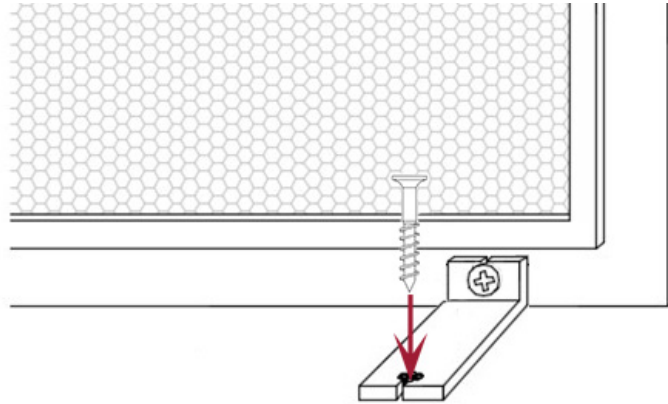


Figure B

Working Doors Mounting Option 2

- 4a. Remove the mesh doors from the main frame.
- 4b. Using appropriate screws/bolts (*not provided*), attach the back screen feet securely to the hearth or firebox floor.
- 4c. Re-install the mesh doors.



Completion

6. Enjoy your new fireplace screen!

Cleaning & Maintenance

Your Stoll product can be cleaned using a damp cloth, or mild household cleaner. To avoid damage to the finish, cleaners containing ammonia or other harsh chemicals should be avoided.

Warranty

Your Stoll Screen is covered by a 5 year limited warranty. For more information, please visit www.stollindustries.com/resources/. All warranty claims must be placed through your local dealer.

WARNING

This product can expose you to chemicals including Carbon Black, which is known to the state of California to cause Cancer. For more information go to www.P65Warnings.ca.gov