



Owner's Manual

Model
CDFI-BX1000
6909910100










IMPORTANT SAFETY INFORMATION: Always read this manual first before attempting to install or use the Opti-myst® Pro Box Heater. For your safety, always comply with all warnings and safety instructions contained in this manual to prevent personal injury or property damage.

To view the full line of Dimplex products, please visit www.dimplex.com

7215020100R00



Table of Contents

 Welcome & Congratulations	3
 IMPORTANT INSTRUCTIONS	4
 Installation	6
 Operation	11
 Maintenance	12
 Warranty	13
 Technical Support	15

Always use a qualified technician or service agency to repair this unit.

! NOTE: Procedures and techniques that are considered important enough to emphasize.

⚠ CAUTION: Procedures and techniques which, if not carefully followed, will result in damage to the equipment.

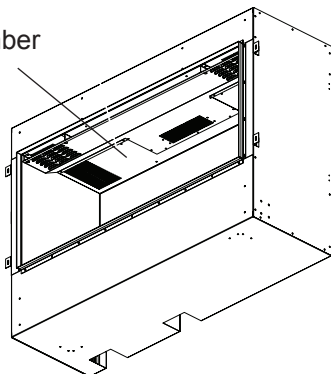
⚡ WARNING: Procedures and techniques which, if not carefully followed, will expose the user to the risk of fire, serious injury, or death.

Welcome & Congratulations

Thank you and congratulations for purchasing an Opti-myst Pro Box Heater from Dimplex. Please use our convenient online registration page to record your model and serial numbers for future reference at

www.dimplex.com/register

Model Number
and Serial
Number




Please carefully read and save these instructions.

⚠ CAUTION: Read all instructions and warnings carefully before starting installation. Failure to follow these instructions may result in a possible electric shock, fire hazard and will void the warranty.



NO NEED TO RETURN TO THE STORE

Questions with operation or assembly? Require Parts Information?
Product Under Manufacturer's Warranty?


Contact us at:  **www.dimplex.com/customer_support**
For Troubleshooting and Technical Support

OR  **Toll-Free 1-888-DIMPLEX (1-888-346-7539)**
Monday to Friday 8:00 a.m. to 4:30 p.m. EST

In order to better serve you, please have your model and serial number ready or register your product online before calling (See above)

IMPORTANT INSTRUCTIONS

When using electrical appliances, basic precautions should always be followed to reduce the risk of fire, electric shock, and injury to persons, including the following:

- ① Read all instructions before using the heater.
- ② The heater is hot when in use. To avoid burns, do not let bare skin touch hot surfaces. The surface around the heater outlet becomes hot during heater operation.
-  **DANGER:** High temperatures may be generated under certain abnormal conditions. Do not partially or fully cover or obstruct the front of this heater.
- ③ Extreme caution is necessary when any heater is used by or near children or invalids and whenever the unit is left operating and unattended.
- ④ Always disconnect the heater when not in use.
- ⑤ Do not operate any heater after it malfunctions. Disconnect power at the service panel and have the heater inspected by a reputable electrician before reusing.
- ⑥ Do not operate any unit with a damaged cord or if the heater has malfunctioned, or if the heater has been dropped or damaged in any manner, contact Dimplex Technical Service at 1-888-346-7539.
- ⑦ Do not use outdoors.
- ⑧ The heater is not intended for use in bathrooms, laundry areas and similar indoor locations. Never locate heater over a bathtub or other water container.
- ⑨ To disconnect the unit, turn the controls OFF, disconnect power at the service panel.
- ⑩ Do not insert or allow foreign objects to enter any ventilation or exhaust opening as this may cause an electric shock or fire, or damage to the heater.
- ⑪ To prevent a possible fire, do not block air intake or exhaust in any manner.
- ⑫ All electrical heaters have hot and arcing or sparking parts inside. Do not use in areas where gasoline, paint, or flammable liquids are used or stored.

IMPORTANT INSTRUCTIONS

- ⑬ Do not modify the heater. Use it only as described in this manual. Any other use not recommended by the manufacturer may cause fire, electric shock or injury to persons.
- ⑭ Always use a certified electrician should new circuits or outlets be required.
- ⑮ Always use properly grounded, fused and polarized outlets.
- ⑯ Disconnect all power supply before performing any cleaning, maintenance or relocation of the unit.
- ⑰ When transporting or storing the unit, keep in a dry place, free from excessive vibration and store so as to avoid damage.

! NOTE: Changes or modifications not expressly approved by the party responsible for compliance could void user's authority to operate the equipment.



CAUTION
RISK OF ELECTRIC SHOCK
DO NOT OPEN
NO USER-SERVICEABLE PARTS INSIDE



SAVE THESE INSTRUCTIONS

Installation

⚠ WARNING: ANY INSTALLATION AND SERVICE WORK SHOULD BE PERFORMED BY QUALIFIED AND AUTHORIZED PERSONNEL. ALL INSTALLATIONS MUST COMPLY WITH ALL LOCAL CODES AND BY-LAWS, AND INSPECTED AND APPROVED FOR OPERATION BY LOCAL GOVERNING AUTHORITY PRIOR TO USE.

⚠ WARNING: Construction and electrical wiring must comply with local building codes and other applicable regulations to reduce the risk of fire, electric shock and injury to persons.

Opti-myst Cassette

The Opti-myst Pro Box Heater works exclusively with the Opti-myst Cassette (CDFI1000-PRO). Controls for the heater are found on the cassette.

New Construction

When determining a location for the Opti-myst® Pro Box Heater, ensure that the unit will not be susceptible to drafts, vents, ceiling fans and other air currents. Similar to a candle, large movements of air will affect the unit's ability to create and maintain the flame effect.

Hardwire Installation

The Opti-myst Pro Box Heater is supplied in an assembled state and is designed to be permanently installed. The unit comes ready for hardwire installation.

⚠ WARNING: Do not attempt to wire your own new outlets or circuits. To reduce the risk of fire, electric shock or injury to persons, always use a licensed electrician.

! NOTE: Please read all instructions before installing.

1. For rough in framing, the opening should follow the recommended dimensions located in Figure 1.

! NOTE: Dimensions provided are minimum clearances and will vary depending on type of support framing and finishing options.

! NOTE: Framing should be constructed to support 160 lbs (73 kg)

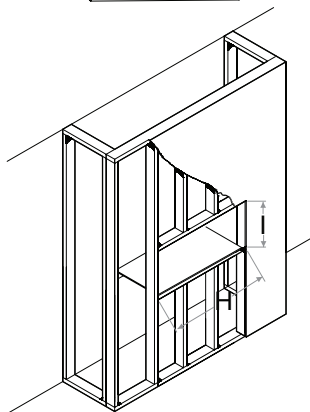
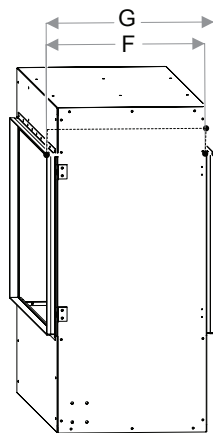
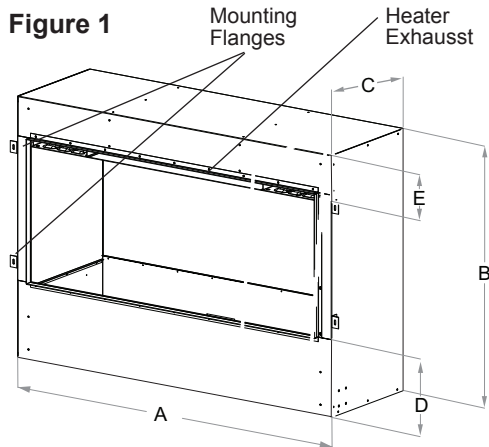
⚠ WARNING: To reduce the risk of fire, do not store or use gasoline or other flammable vapours or liquids in the vicinity of the unit.

2. Allow at least 4 ft. (122 cm) of service cable for connecting

Installation

a power supply wire to the Opti-myst Cassette when installing before finishing wall.

! NOTE: A 15 amp, 120 volt alternating current (VAC) circuit is required. A dedicated circuit is preferred but not essential in all cases. A dedicated circuit will be required if, after installation, the circuit breaker trips or the fuse blows on a regular basis when the heater is operating. Additional appliances on the same circuit may exceed the current rating of the circuit breaker.



! NOTE: Use minimum 14 AWG supply cable with two insulated copper conductors (white and black) and one bare ground wire.

	A	B	C	D	E	F	G	H	I
CDFI-BX1000	44.9" (114 cm)	31.75" (80.5 cm)	14.7" (37.3 cm)	9.5" (24 cm)	4.8" (12.2 cm)	15.5" (39.3 cm)	16.2" (41.2 cm)	45.2" (115.2 cm)	32.3" (82 cm)

Installation

Do not use cable with aluminum conductors.

! NOTE: It is recommended that all drywall installation and finishing be completed after unit is fully installed.

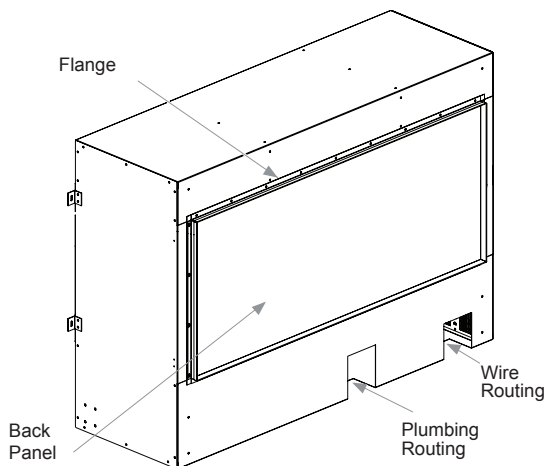
3. The Opti-myst Pro Box Heater can be installed to be two sided or one sided. For one sided installations remove the 4 flanges on the back if there is not enough depth in the framing for them. Using the same screws, replace the back panel. See Figure 2. For two sided installations, remove flanges and back panel and using the same screws, replace the flanges.

! NOTE: The heater only exhausts from one direction. Note this

direction when installing in a 2 sided configuration"

- ! CAUTION:** When inserting the unit take care not to damage or pinch any of the power cables that are concealed in the wall.
4. Mount the Opti-myst Pro Box Heater to the framing with the mounting brackets using appropriate screws for the application (Figure 1).
5. Feed the wire through the opening on the back left of the Opti-myst Pro Box Heater. Remove the outer jacket and strip the individual conductors $\frac{1}{2}$ in. (1.3 cm) from the end.
6. Do not remove cardboard backing from the Opti-myst Pro

Figure 2



Installation

Box Heater until the Opti-myst Cassette is installed. This will help prevent scratches and damage to the sides of the Opti-myst Pro Box Heater.

7. Follow the installation instructions provided with the Opti-myst Cassette to install within the Opti-myst Pro Box Heater. Use the provided screws to fasten the cassette to the Opti-myst Pro Box Heater through the holes in the cassette (Figure 3).

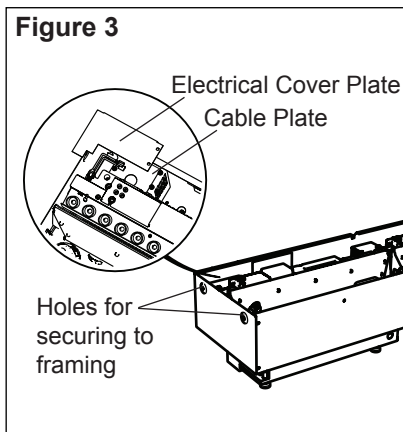
8. In the back left corner of the Opti-myst Cassette (Figure 3), locate and remove the electrical cover plate by removing the two securing screws.

9. Install a cable connector (not included) suitable for mounting in a $\frac{7}{8}$ in. (22 mm) hole, to the cable plate and feed the supply cable through the connector. The cable plate can be removed by removing the two securing screws on either side, to allow for easier access.

⚠ CAUTION: Use two conductor, non-metallic sheath cable with ground wire (3 wires total) for the incoming power supply on the cassette. Use appropriate wire to meet local and national electrical codes for rated power.

10. Connect the black wires (live) from the Opti-myst Cassette and

Figure 3



Opti-myst Pro Box Heater to the live from the power supply.

11. Connect the white wires (neutral) from the Opti-myst Cassette and Opti-myst Pro Box Heater to the neutral wire from the power supply.
12. Connect the green wires (ground) from the Opti-myst Cassette and Opti-myst Pro Box Heater to the ground wire from the power supply.
13. Place all connectors inside the Opti-myst Cassette and secure the cable clamp to unit, making sure that the cable clamp grips only the jacket of service cable.

⚠ CAUTION: Ensure the wire connectors are securely tightened, so no bare wires (live or neutral) are exposed.

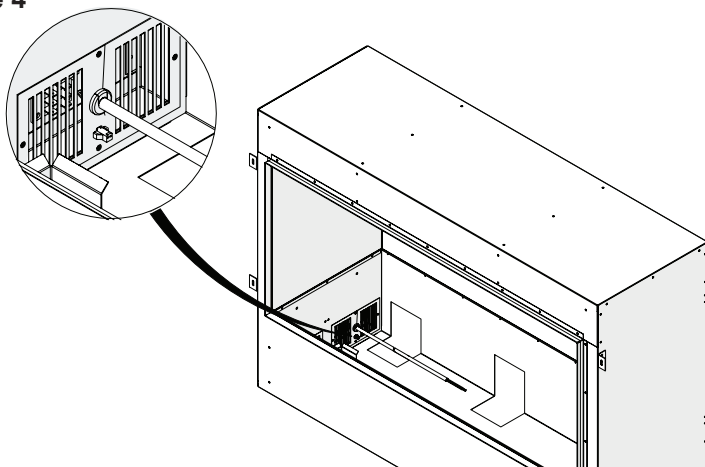
Installation

14. Connect the 2 pin connector from the Opti-myst Cassette to the Opti-myst Pro Box Heater (Figure 4).
15. Finish surrounding wall. There are 3 different options for finishing the wall:
 - **Permanent** - install drywall right up to the flange that surrounds the opening.
 - **Semi Permanent** - finish around edge using flashing material (not included)
 - **Flexible** - create opening big enough to access mounting flanges and a false front that can be removed.

⚠ WARNING: Disconnect power before attempting any maintenance or cleaning to reduce the risk of fire, electric shock or damage to persons.

16. The media plate that came with the Opti-myst Cassette is not required and can be discarded. After completing installation, place the media tray that came with the Opti-myst Pro Box Heater in position over the Opti-myst Cassette. The tray can be used to hold a variety of media. Please note that the tray gets warm, so choose materials appropriately.

Figure 4



🔑 Operation

The heater can be controlled by remote, or the tethered controller through the Opti-myst Cassette. Please refer to cassette User's Guide for details.

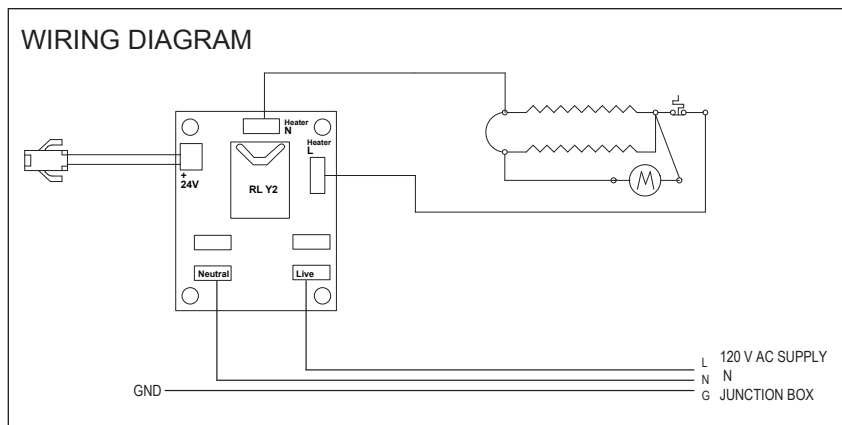
! NOTE: The Opti-myst Pro Box Heater cannot be operated independently from the Opti-myst Cassette.

Resetting the Temperature Cutoff Switch

Should the heater overheat, an automatic switch will turn the heater off and it will not come back on without being reset. The

temperature cutoff switch can be reset by disconnecting power to the unit, waiting 5 minutes and reconnecting power to the unit.

⚠ CAUTION: If you need to continuously reset the heater, disconnect power to the unit and call Dimplex North America Limited at 1-888-346-7539 for technical support. Please have your model and serial number ready when calling.





Maintenance

Opti-myst Pro Box Heater Surface Cleaning

To remove fingerprints or other marks, the exterior finish can be cleaned with a damp cloth with a mild detergent. The surface should be completely dried with a lint free cloth to prevent water spots.

! NOTE: The heater should not be operated with an accumulation of dust or dirt on or in the unit, as this can cause a build up of heat and eventual damage. For this reason the heater must be inspected regularly, depending upon conditions and at least at yearly intervals.

Servicing

Except for installation and cleaning described in this manual, an authorized service representative should perform any other servicing.



Warranty

2 YEAR LIMITED WARRANTY

Products to which this limited warranty applies

This limited warranty applies to your newly purchased Dimplex heater. This limited warranty applies only to purchases made in any province of Canada except for Yukon Territory, Nunavut, or Northwest Territories or in any of the 50 States of the USA (and the District of Columbia) except for Hawaii and Alaska. This limited warranty applies to the original purchaser of the Product only and is not transferable.

Products excluded from this limited warranty

Products purchased in Yukon Territory, Nunavut, Northwest Territories, Hawaii, or Alaska are not covered by this limited warranty. Products purchased in these States, provinces, or territories are sold AS IS without warranty or condition of any kind (including, without limitation, any implied warranties or conditions of merchantability or fitness for a particular purpose) and the entire risk of as to the quality and performance of the products is with the purchaser, and in the event of a defect the purchaser assumes the entire cost of all necessary servicing or repair.

What this limited warranty covers and for how long

Products covered by this limited warranty have been tested and inspected prior to shipment and, subject to the provisions of this warranty, Dimplex warrants such products to be free from defects in material and workmanship in respect of the heater components of the Product for a period of 12 months from the date of the first purchase of the Product.

This limited warranty period also applies to any implied warranties that may exist under applicable law. Some jurisdictions

do not allow limitations on how long an implied warranty lasts, so the above limitation may not apply to the purchaser.

What this limited warranty does not cover

This limited warranty does not apply to Products that have been repaired (except by Dimplex or its authorized service representatives) or otherwise altered. This limited warranty does further not apply to defects resulting from misuse, abuse, accident, neglect, incorrect installation, improper maintenance or handling, operation with an incorrect power source, fire or other circumstance outside of Dimplex's control including, without limitation, an Act of God.

What you must do to get service under this limited warranty

Defects must be brought to the attention of Dimplex Technical Service by contacting Dimplex at 1-888-DIMPLEX (1-888-346-7539), or 1367 Industrial Road, Cambridge Ontario, Canada N3H 4W3. Please have proof of purchase, catalogue/model and serial numbers available when calling. Limited warranty service requires a proof of purchase of the Product.

What Dimplex will do in the event of a defect

In the event the Product or part covered by this limited warranty is proven to be defective in material or workmanship during, in the One Year Warranty period, as applicable, you have the following rights:

- Dimplex will in its sole discretion either repair or replace such defective Product or part without charge. If Dimplex is unable to repair or replace the Product or part, or if repair or replacement is not commercially practicable or cannot be timely made, Dimplex may, in lieu of



Warranty

repair or replacement, choose to refund the purchase price for the Product or part.

- Limited warranty service will be performed solely by dealers or service agents of Dimplex authorized to provide limited warranty services.
- This limited warranty does not entitle the purchaser to on-site or in-home services. On-site or in-home services may be performed at the purchaser's specific request and expense at Dimplex's then-current rates for such services.
- Dimplex will not be responsible for, and the limited warranty services shall not include, any expense incurred for installation or removal of the Product or part (or any replacement Product or part) or any labour or transportation costs. Such costs shall be the purchaser's responsibility.

What Dimplex and its dealers and service agents are also not responsible for:

IN NO EVENT WILL DIMPLEX, OR ITS DIRECTORS, OFFICERS, OR AGENTS, BE LIABLE TO THE PURCHASER OR ANY THIRD PARTY, WHETHER IN CONTRACT, IN TORT, OR ON ANY OTHER BASIS, FOR ANY INDIRECT, SPECIAL, PUNITIVE, EXEMPLARY, CONSEQUENTIAL, OR INCIDENTAL LOSS, COST, OR DAMAGE ARISING OUT OF OR IN CONNECTION WITH THE SALE, MAINTENANCE, USE, OR INABILITY TO USE THE PRODUCT, EVEN IF DIMPLEX OR ITS DIRECTORS, OFFICERS, OR AGENTS HAVE BEEN ADVISED OF THE POSSIBILITY OF SUCH LOSSES, COSTS OR DAMAGES, OR IF SUCH LOSSES, COSTS, OR DAMAGES ARE FORESEEABLE. IN NO EVENT WILL DIMPLEX, OR ITS OFFICERS, DIRECTORS, OR AGENTS

BE LIABLE FOR ANY DIRECT LOSSES, COSTS, OR DAMAGES THAT EXCEED THE PURCHASE PRICE OF THE PRODUCT.

SOME JURISDICTIONS DO NOT ALLOW THE EXCLUSION OR LIMITATION OF INCIDENTAL OR CONSEQUENTIAL DAMAGES, SO THE ABOVE LIMITATION OR EXCLUSION MAY NOT APPLY TO THE PURCHASER.

How State and Provincial law apply

This limited warranty gives you specific legal rights, and you may also have other rights which vary from jurisdiction to jurisdiction. The provisions of the United Nations Convention on Contracts for the Sale of Goods shall not apply to this limited warranty or the sale of Product covered by this limited warranty.



Technical Support

Technical and troubleshooting support, as well as a list of replacement parts can be found on

www.dimplex.com/customer_support.



Dimplex North America Limited

1367 Industrial Road

Cambridge ON

Canada N3H 4W3

© 2017 Dimplex North America Limited



Manuel du propriétaire

Modèle
CDFI-BX1000
6909910100










CONSIGNES DE SÉCURITÉ IMPORTANTES : Toujours lire le présent manuel avant d'essayer d'installer ou d'utiliser l'appareil de chauffage Opti-myst^{MD} Pro Box. Pour votre sécurité, toujours respecter tous les avertissements et suivre les consignes de sécurité compris dans le présent manuel afin de prévenir les blessures ou les dommages matériels.

Pour découvrir la gamme complète de produits Dimplex, visitez www.dimplex.com

7215020100R00



Table des matières

	Bienvenue et félicitations	3
	INSTRUCTIONS IMPORTANTES	4
	Installation	6
	Utilisation	11
	Entretien.	12
	Garantie	14
	Service d'assistance technique	15

Toujours recourir aux services d'un technicien qualifié ou d'une entreprise de services d'entretien pour faire réparer cet appareil.

! NOTA : Marches à suivre et techniques considérées suffisamment importantes pour qu'on les souligne.

⚠ MISE EN GARDE : Marches à suivre et techniques dont le non-respect pourrait causer des dommages matériels.

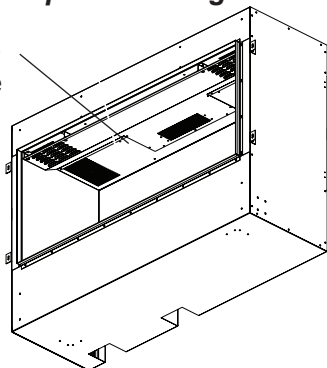
⚠ AVERTISSEMENT : Marches à suivre et techniques qui, si elles ne sont pas bien respectées, exposeront l'utilisateur à des risques d'incendie, de blessure grave ou de décès.

Bienvenue et félicitations


Merci et félicitations pour l'achat d'un appareil de chauffage Opti-myst Pro Box de Dimplex. Veuillez utiliser notre page d'inscription en ligne pour inscrire votre modèle et vos numéros de série à des fins de référence ultérieure à l'adresse

www.dimplex.com/register

Numéros de modèle et de série.



Lire ces consignes attentivement et les conserver.

 **MISE EN GARDE** : Lire attentivement toutes les consignes et tous les avertissements avant de procéder à l'installation. Le non-respect de ces consignes pourrait entraîner un risque de décharge électrique ou d'incendie et annulera la garantie.

IL  N'EST PAS NÉCESSAIRE D'ALLER AU MAGASIN

Des questions à propos de l'utilisation ou du montage? Besoin d'information sur les pièces? Besoin d'information à propos d'un produit sous une garantie du fabricant?

Communiquer avec nous au :  **www.dimplex.com/customer_support**
Pour le dépannage et le Service d'assistance technique

OU  Sans frais au 1 888 DIMPLEX (1 888 346-7539)

Du lundi au vendredi, de 8 h à 16 h 30 (HE)

Afin que nous puissions mieux vous servir, veuillez avoir votre modèle et votre numéro de série à portée de main ou veuillez inscrire votre produit en ligne avant de téléphoner (voir ci-dessus).

INSTRUCTIONS IMPORTANTES

Lorsqu'un appareil électrique est utilisé, il est important de toujours prendre des précautions de base pour réduire les risques d'incendie, de décharges électriques et de blessures, notamment :

- ① Lire toutes les instructions avant d'utiliser l'appareil de chauffage.
- ② L'appareil de chauffage devient chaud lorsqu'il est en marche. Pour éviter les brûlures, ne pas toucher les surfaces chaudes. La surface autour de la bouche de chaleur devient chaude lorsque l'appareil de chauffage fonctionne.
-  **DANGER** : Dans certaines conditions, des températures anormalement élevées peuvent être générées. Ne pas couvrir ni obstruer partiellement ou complètement la partie frontale de cet appareil de chauffage.
- ③ Faire preuve d'une grande prudence lorsque l'appareil de chauffage est utilisé par des enfants ou des personnes handicapées, s'il est en marche à proximité d'eux, ou s'il est en marche et laissé sans surveillance.
- ④ Toujours débrancher l'appareil de chauffage lorsqu'il n'est pas utilisé.

⑤ Ne pas utiliser un appareil de chauffage après une défaillance. Interrompre le courant au tableau de commande et faire inspecter l'appareil de chauffage par un électricien qualifié avant de le réutiliser.

⑥ Ne pas se servir de l'appareil si le cordon est endommagé, si l'appareil fonctionne mal ou si l'appareil de chauffage est tombé ou est endommagé de quelque manière que ce soit. Communiquer avec le service technique de Dimplex au 1 888 346-7539.

⑦ Ne pas utiliser à l'extérieur.

⑧ L'appareil de chauffage n'est pas conçu pour être utilisé dans une salle de bain, une salle de lavage ou d'autres endroits semblables à l'intérieur. Ne jamais placer l'appareil de chauffage au-dessus d'une baignoire ou d'un autre contenant d'eau.

⑨ Pour débrancher l'appareil, l'éteindre, puis couper le courant à la boîte électrique.

⑩ Ne pas introduire ou permettre l'introduction de corps étrangers dans la prise d'air de ventilation ou la bouche de sortie d'air, car cela peut occasionner des décharges

INSTRUCTIONS IMPORTANTES

électriques, provoquer un incendie ou endommager l'appareil.

⑪ Pour éviter un incendie, n'obstruer l'entrée ou la sortie d'air d'aucune façon.

⑫ Tous les appareils de chauffage électriques contiennent des pièces qui chauffent et produisent un arc électrique ou des étincelles. Ne pas faire fonctionner l'appareil dans des endroits où de l'essence, de la peinture ou des liquides inflammables sont utilisés ou entreposés.

⑬ Ne pas apporter de modifications à l'appareil de chauffage. Se servir de l'appareil de chauffage uniquement de la façon décrite dans le présent manuel. Toute autre utilisation non recommandée par le fabricant peut causer un incendie, des décharges électriques ou des blessures.

⑭ Toujours faire appel à un électricien certifié pour l'installation

de nouveaux circuits ou de nouvelles prises de courant.

⑮ Toujours utiliser des prises correctement mises à la terre, polarisées et protégées par un fusible ou un disjoncteur.

⑯ Fermer toute source d'alimentation électrique de l'appareil de chauffage avant de le nettoyer, de le réparer ou de le déplacer.

⑰ Pendant le transport ou l'entreposage de l'appareil, le conserver dans un endroit sec et à l'abri de vibrations excessives, et le ranger de façon à éviter qu'il ne s'endommage.

! NOTA : Les changements ou les modifications n'ayant pas fait l'objet d'une approbation expresse de la partie responsable de la conformité auront pour effet d'annuler le droit d'utilisation de l'appareil par l'utilisateur.



MISE EN GARDE

RISQUE DE DÉCHARGE ÉLECTRIQUE
NE PAS OUVRIR



AUCUNE PIÈCE DONT L'ENTRETIEN PEUT ÊTRE
EFFECTUÉ PAR L'UTILISATEUR NE SE TROUVE À L'INTÉRIEUR

CONSERVER CES INSTRUCTIONS

⚠ AVERTISSEMENT : LES TRAVAUX D'INSTALLATION ET D'ENTRETIEN DOIVENT ÊTRE EXÉCUTÉS PAR DU PERSONNEL QUALIFIÉ ET AUTORISÉ. TOUTES LES INSTALLATIONS DOIVENT ÊTRE EFFECTUÉES CONFORMÉMENT AUX CODES ET AUX RÈGLEMENTS LOCAUX, ET INSPECTÉES ET APPROUVÉES PAR L'AUTORITÉ DE RÉGLEMENTATION LOCALE AVANT L'UTILISATION.

⚠ AVERTISSEMENT : Afin de réduire les risques d'incendie, de décharges électriques et de blessures, tous les travaux d'installation et de câblage électrique doivent être conformes aux codes du bâtiment et aux autres règlements applicables.

Cassette Opti-myst

L'appareil de chauffage Opti-myst Pro Box fonctionne exclusivement avec la cassette Opti-myst (CDFI1000-PRO). Les commandes de l'appareil de chauffage se trouvent sur la cassette.

Nouvelle installation

Au moment de déterminer un emplacement pour l'appareil de chauffage Opti-myst^{MD} Pro Box, s'assurer que l'appareil ne sera pas exposé à des courants d'air, à des événements, à des ventilateurs de plafond ni à d'autres déplacements d'air. Comme pour une chandelle, des déplacements importants d'air

nuisent à la capacité de l'appareil à créer et à maintenir l'effet de flamme.

Installation câblée

L'appareil de chauffage Opti-myst Pro Box est fourni assemblé et conçu pour une installation permanente. L'appareil est livré pour une installation câblée.

⚠ AVERTISSEMENT : Ne pas tenter d'installer soi-même de nouvelles prises ni de nouveaux circuits électriques. Pour minimiser les risques d'incendie, de décharges électriques et de blessures, toujours faire appel à un électricien qualifié.

! NOTA : Lire toutes les instructions avant d'installer l'appareil.

1. Dans le cas d'une installation avec cadre, l'ouverture doit respecter les dimensions recommandées à la Figure 1.

! NOTA : Les dimensions indiquées sont les dégagements minimums et varient en fonction du type de cadrage et des options de finition.

! NOTA : Le cadrage doit être construit pour supporter un poids de 160 lb (73 kg)

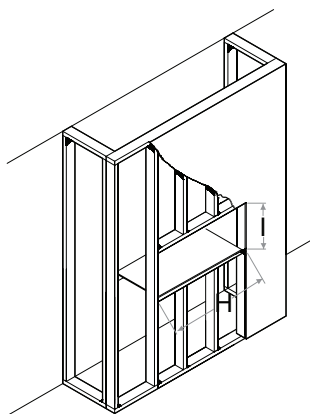
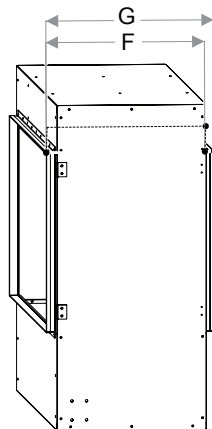
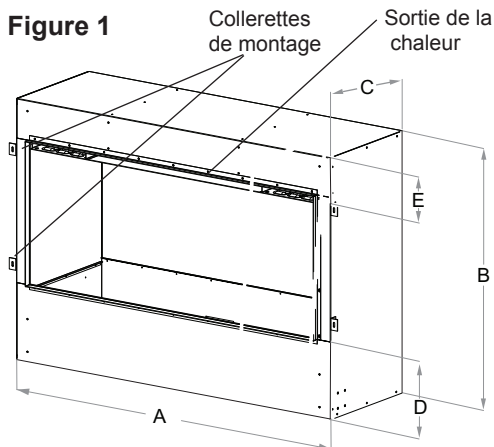
⚠ AVERTISSEMENT : Afin de réduire les risques d'incendie, éviter de conserver ou d'utiliser de l'essence ou d'autres gaz et liquides inflammables à proximité de l'appareil.

Installation

2. Lors de l'installation, allouer au moins 4 pi (122 cm) de câble permettant le branchement de la source d'alimentation électrique à la cassette Opti-myst avant la finition du mur.

! NOTA : Un circuit de 15 ampères et de 120 volts c.a. est requis. Un circuit spécialisé est préférable, mais pas essentiel dans tous les cas. Un circuit spécialisé sera nécessaire si, après l'installation, le disjoncteur se déclenche ou si le fusible saute régulièrement pendant le fonctionnement de l'appareil de chauffage. L'ajout d'appareils sur le même circuit risque d'excéder la puissance nominale du disjoncteur.

Figure 1



! NOTA : Utiliser un câble d'alimentation d'un calibre AWG minimal de 14 avec deux conducteurs en cuivre isolés (blanc et noir) et un fil de terre nu.

	A	B	C	D	E	F	G	H	I
CDFI-BX1000	(44,9 po (114 cm))	(31,75 po (80,5 cm))	(14,7 po (37,3 cm))	(95 po (24 cm))	(4,8 po (12,2 cm))	(15,5 po (39,3 cm))	(16,2 po (41,2 cm))	(45,2 po (115,2 cm))	(32,3 po (82 cm))

Installation

Ne pas utiliser de câble à conducteurs en aluminium.

! **NOTA** : Il est recommandé de poser les cloisons sèches et les options de finition une fois que l'installation de l'appareil est entièrement terminée.

3. L'appareil de chauffage Opti-myst Pro Box peut être installé pour une visualisation des deux côtés ou d'un seul côté. Pour une visualisation d'un seul côté, retirer les 4 collerettes du panneau arrière si le cadre n'est pas suffisamment profond pour les accueillir. À l'aide des mêmes vis, remettre le panneau arrière en place. Voir la Figure 2. Pour une visualisation des deux côtés, retirer les collerettes et le panneau arrière et, à l'aide des mêmes vis,

remettre les collerettes en place.

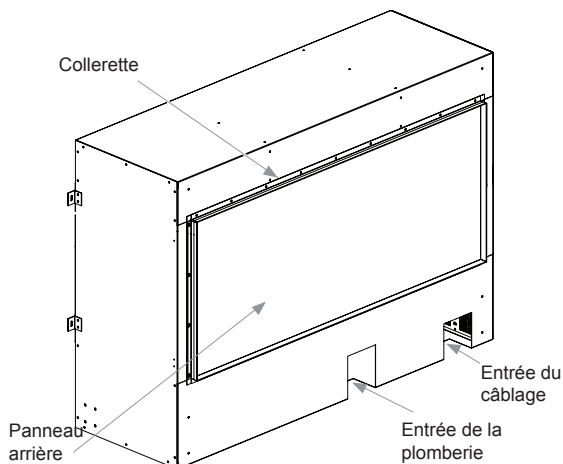
NOTA : !

L'appareil de chauffage ne diffuse la chaleur que dans une seule direction. Prendre note de cette direction lors de l'installation pour visualisation des deux côtés.

MISE EN GARDE : Au moment d'insérer l'appareil, veiller à ne pas endommager ou coincer les câbles d'alimentation dissimulés dans le mur.

4. Monter l'appareil de chauffage Opti-myst Pro Box dans le cadre en utilisant les supports de montage et à l'aide des vis appropriées (Figure 1).
5. Passer le câble à travers l'ouverture pratiquée dans la partie arrière gauche de l'appareil de chauffage Opti-myst Pro

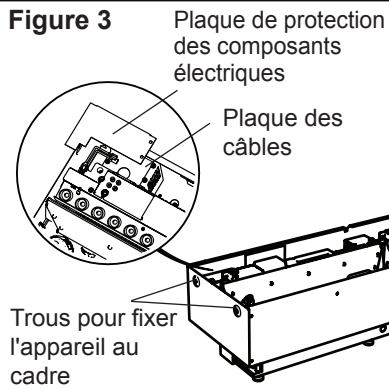
Figure 2



Installation

Box. Retirer la gaine extérieure et dénuder les conducteurs individuels sur une longueur de 1,2 po (1,3 cm) à partir de l'extrémité.

6. Ne pas retirer le panneau en carton de l'appareil de chauffage Opti-myst Pro Box avant que la cassette Opti-myst ne soit installée. Cela aidera à éviter les rayures et les dommages sur les côtés de l'appareil de chauffage Opti-myst Pro Box.
7. Suivre les instructions d'installation fournies avec la cassette Opti-myst pour installer cette dernière dans l'appareil de chauffage Opti-myst Pro Box. Insérer les vis fournies dans les trous de la cassette pour fixer cette dernière à l'appareil de chauffage Opti-myst Pro Box (Figure 3).
8. Dans la partie arrière gauche de la cassette Opti-myst (Figure 3), repérer et retirer la plaque de protection des composants électriques en enlevant les deux vis de fixation.
9. Installer un connecteur de câble (non inclus) à la plaque, adapté pour le montage dans un trou de 7/8 po (22 mm) de diamètre, et passer le câble d'alimentation à travers le connecteur. La plaque des câbles peut être retirée en enlevant les deux vis de fixation de chaque côté, afin de faciliter l'accès.



- ⚠ MISE EN GARDE :** Utiliser un câble à 2 conducteurs doté d'une gaine non métallique et un fil de mise à la terre (3 fils en tout) pour alimenter la cassette. Utiliser le câblage approprié conforme aux codes de l'électricité locaux et nationaux en ce qui a trait à la puissance nominale.
10. Connecter les fils noirs (conducteurs) de la cassette Opti-myst et de l'appareil de chauffage Opti-myst Pro Box au conducteur de la source d'alimentation.
 11. Connecter les fils blancs (neutres) de la cassette Opti-myst Cassette et de l'appareil de chauffage Opti-myst Pro Box au fil neutre de la source d'alimentation.
 12. Connecter les fils verts (terre) de la cassette Opti-myst Cassette et de l'appareil de chauffage Opti-myst Pro Box au fil de terre de la source d'alimentation.

Installation

13. Placer tous les connecteurs à l'intérieur de la cassette Opti-myst et fixer le serre-câble à l'appareil, en veillant à ce que le serre-câble ne saisisse que la gaine du câble d'alimentation.

⚠ MISE EN GARDE : S'assurer que les capuchons de connexion sont solidement serrés, de sorte qu'aucun fil nu (conducteur ou neutre) ne soit exposé.

14. Brancher le connecteur à 2 broches de la cassette Opti-myst à l'appareil de chauffage Opti-myst Pro Box (Figure 4).

15. Effectuer la finition du mur environnant. Il y a 3 options de finition du mur :

- **Permanente** - poser la cloison sèche jusqu'au rebord entourant l'ouverture (Figure 4).
- **Semi-permanente** - procéder à la finition autour du bord avec un

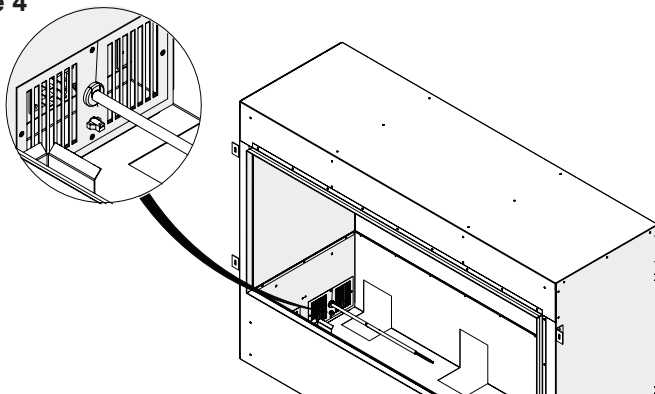
matériau étanche (non inclus)

- **Souple** - créer une ouverture suffisamment grande pour accéder aux collerettes de montage ainsi qu'une structure frontale provisoire amovible.

⚠ AVERTISSEMENT : Débrancher l'appareil avant tout entretien ou nettoyage afin de réduire le risque d'incendie, de décharges électriques ou de blessures.

16. Le plateau à matériaux incandescents livré avec la cassette Opti-myst n'est pas requis et peut être jeté. Une fois l'installation terminée, placer le plateau à matériaux incandescents fourni avec l'appareil de chauffage Opti-myst Pro Box sur la cassette Opti-myst. Le plateau peut être utilisé pour divers matériaux incandescents. Prendre note que le plateau devient chaud; choisir les matériaux incandescents en conséquence.

Figure 4



Utilisation

L'appareil de chauffage peut être réglé par télécommande, ou à l'aide du dispositif de commande intégré de la cassette Opti-myst. Consulter le guide d'utilisation de la cassette pour obtenir plus de détails.

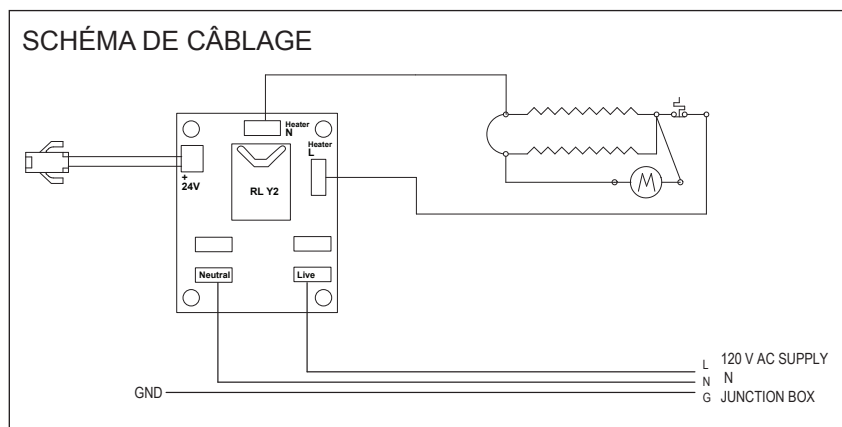
! NOTA : L'appareil de chauffage Opti-myst Pro Box ne peut pas être utilisé indépendamment de la cassette Opti-myst.

Réarmement du disjoncteur du circuit de la température

En cas de surchauffe, un interrupteur éteindra automatiquement l'appareil, qui ne pourra être remis en

marche tant que le disjoncteur n'aura pas été réarmé. Pour réarmer le disjoncteur du circuit de la température, il faut débrancher l'appareil de la source d'alimentation et attendre 5 minutes avant de le rebrancher.

⚠ MISE EN GARDE : S'il est nécessaire de réinitialiser constamment l'appareil de chauffage, le débrancher de la source d'alimentation et communiquer avec Dimplex North America Limited au 1 800 346-7539 pour obtenir un service d'assistance technique. Veiller à avoir en main les numéros de modèle et de série de l'appareil.





Nettoyage des surfaces de l'appareil de chauffage Opti-myst Pro Box

Pour enlever les empreintes digitales ou autres marques, nettoyer la finition extérieure avec un chiffon humide et un détergent doux. Pour prévenir les taches d'eau, la surface doit être entièrement asséchée à l'aide d'un chiffon non pelucheux.

Entretien

Tout type d'entretien autre que l'installation et le nettoyage décrits dans le présent manuel doit être effectué par un représentant de service autorisé.

! NOTA : L'appareil de chauffage ne doit pas fonctionner si de la poussière ou de la saleté se sont accumulées sur l'appareil. Cela pourrait entraîner une accumulation de chaleur qui pourrait à son tour causer des dommages. Pour cette raison, l'appareil de chauffage doit être inspecté régulièrement, selon ses conditions d'utilisation, et au moins une fois par année.



Garantie

GARANTIE LIMITÉE DE 2 ANS

Produits couverts par la présente garantie limitée

La présente garantie limitée couvre votre nouvel appareil de chauffage Dimplex. La présente garantie limitée ne s'applique qu'aux achats effectués dans l'une des provinces du Canada, à l'exception du Yukon, du Nunavut et des Territoires du Nord-Ouest, ou dans l'un des 50 États américains (incluant le district fédéral de Columbia), à l'exception d'Hawaï et de l'Alaska. La présente garantie limitée est valable seulement pour l'acheteur original du produit et ne peut être transférée.

Produits non couverts par la présente garantie

Les produits achetés au Yukon, au Nunavut, dans les Territoires du Nord-Ouest, à Hawaï ou en Alaska ne sont pas couverts par la présente garantie limitée. Les produits achetés dans ces États, provinces ou territoires sont vendus TELS QUELS sans aucune garantie ni condition (y compris, notamment, toute garantie ou condition implicite de qualité marchande ou de convenance à un usage particulier), et l'acheteur doit assumer tous les risques relatifs à la qualité et au rendement des produits. En cas de défectuosité, tous les frais d'entretien et de réparation incombent à l'acheteur.

Couverture et durée de la présente garantie limitée

Les produits couverts par la présente garantie limitée ont été testés et inspectés avant l'envoi. Conformément aux dispositions de la présente garantie, Dimplex garantit que les composants de l'appareil de chauffage sont exempts de tout vice de matériau et de fabrication pour une période de 12 mois à partir de la date d'achat du produit.

La présente garantie limitée s'applique également à toute garantie implicite pouvant exister en vertu des lois en vigueur. Certaines juridictions ne permettent pas de restreindre la durée d'une garantie implicite, de sorte qu'il est possible que la restriction ci-dessus ne s'applique pas à l'acheteur.

Exclusions de la présente garantie limitée

La présente garantie limitée ne couvre pas les produits qui ont été réparés (sauf par Dimplex ou ses représentants de service autorisés) ou autrement modifiés. Elle ne couvre pas non plus les défectuosités résultant d'un mauvais usage, d'un usage abusif, d'un accident, de négligence, d'une mauvaise installation, d'une manipulation ou d'un entretien inadéquat, de l'utilisation avec une source de courant inadéquate, d'un incendie ou de tout autre événement hors du contrôle de Dimplex, incluant, sans toutefois s'y limiter, les cas de force majeure.

Ce que vous devez faire pour vous prévaloir du service dans le cadre de la présente garantie limitée

Les défectuosités doivent être signalées au Service technique de Dimplex, par téléphone au 1 888 DIMPLEX (1 888 346-7539) ou par écrit au 1367 Industrial Road, Cambridge (Ontario), Canada, N3H 4W3. Au moment d'appeler Dimplex, veuillez avoir à portée de la main une preuve d'achat, ainsi que les numéros de catalogue, de modèle et de série du produit défectueux. Vous devez avoir une preuve d'achat du produit pour vous prévaloir du service dans le cadre de la garantie limitée.

Ce que fera Dimplex en cas de défectuosité

S'il s'avère que le produit ou qu'une pièce du produit couvert par cette garantie limitée présente effectivement un vice de matériau



Garantie

ou de fabrication pendant la garantie d'un an, selon le cas, vous aurez alors les droits suivants :

- Dimplex pourra, à sa seule discrétion, réparer ou remplacer sans frais la pièce ou le produit défectueux. Si Dimplex est incapable de réparer ou de remplacer la pièce ou le produit, ou si la réparation ou le remplacement n'est pas commercialement possible, ou ne peut être fait rapidement, Dimplex pourra, au lieu d'effectuer la réparation ou le remplacement, décider de rembourser le prix d'achat de la pièce ou du produit.
- Le service sous garantie limitée sera dispensé uniquement par des dépositaires ou agents de service de Dimplex autorisés à dispenser des services sous garantie limitée.
- Cette garantie limitée ne donne pas droit à l'acheteur à des services sous garantie sur place ou à domicile. Des services sur place ou à domicile sont offerts à la demande expresse et aux frais de l'acheteur, au tarif en vigueur que facture Dimplex pour de tels services.
- Dimplex n'est pas responsable des frais encourus pour l'installation ou le retrait du produit ou de la pièce (ou de tout produit ou de toute pièce de rechange) ni des frais de main-d'œuvre et de transport, et la présente garantie limitée ne les couvre pas non plus. Ces frais sont la responsabilité de l'acheteur.

Autres exclusions à la responsabilité de Dimplex et de ses dépositaires et agents de service :

DIMPLEX, SES ADMINISTRATEURS, SES GESTIONNAIRES OU SES AGENTS NE POURRONT EN AUCUN CAS ÊTRE TENUS RESPONSABLES ENVERS L'ACHETEUR OU TOUTE AUTRE TIERCE PARTIE, EN VERTU D'UN CONTRAT,

DU DROIT DE LA RESPONSABILITÉ CIVILE DÉLICTEUELLE OU SUR TOUTE AUTRE BASE, DE COÛTS, DE PERTES OU DE DOMMAGES INDIRECTS, SPÉCIAUX, PUNITIFS, EXEMPLAIRES OU ACCESSOIRES DÉCOULANT DIRECTEMENT OU INDIRECTEMENT DE LA VENTE, DE L'ENTRETIEN, DE L'UTILISATION OU DE L'INCAPACITÉ D'UTILISATION DU PRODUIT, MÊME SI DIMPLEX, SES GESTIONNAIRES, SES ADMINISTRATEURS OU SES AGENTS ONT ÉTÉ INFORMÉS DE LA POSSIBILITÉ DE TELS COÛTS, PERTES OU DOMMAGES, OU SI LESDITS COÛTS, PERTES OU DOMMAGES SONT PRÉVISIBLES. DIMPLEX, SES GESTIONNAIRES, SES ADMINISTRATEURS OU SES AGENTS NE POURRONT EN AUCUN CAS ÊTRE TENUS RESPONSABLES DE COÛTS, DE PERTES OU DE DOMMAGES DIRECTS QUI DÉPASSENT LE PRIX D'ACHAT DU PRODUIT.

CERTAINES JURIDICTIONS NE PERMETTENT PAS QUE DES EXCLUSIONS OU LIMITATIONS AUX DOMMAGES INDIRECTS OU ACCESSOIRES SOIENT APPLIQUÉES. IL SE POURRAIT DONC QUE LES EXCLUSIONS ET LIMITATIONS CI-DESSUS NE S'APPLIQUENT PAS À L'ACHETEUR.

Comment les lois provinciales et d'État s'appliquent

Cette garantie limitée vous confère des droits juridiques précis, et il se peut que vous ayez d'autres droits qui varient d'une juridiction à une autre. Les dispositions de la Convention des Nations Unies sur les contrats de vente de biens ne s'appliquent pas à cette garantie limitée ou à la vente du produit couvert par la présente garantie limitée.



Service d'assistance technique

Vous trouverez du soutien technique et des instructions de dépannage, ainsi qu'une liste de pièces de rechange à www.dimplex.com/customer_support.



Dimplex North America Limited
1367 Industrial Road
Cambridge (Ontario)
Canada N3H 4W3

© Dimplex North America Limited, 2017.



Manual del propietario

Modelo
CDFI-BX1000
6909910100










INFORMACIÓN IMPORTANTE DE SEGURIDAD: Siempre lea este manual antes de intentar instalar o usar el calentador Pro Box de Opti-myst®. Por su seguridad, siempre respete todas las advertencias e instrucciones de seguridad que se incluyen en este manual para evitar lesiones físicas o daños a su propiedad.

Para ver la lista completa de productos Dimplex, visite www.dimplex.com.

7215020100R00



Índice

 Bienvenido y felicitaciones	3
 INSTRUCCIONES IMPORTANTES	4
 Instalación	6
 Funcionamiento	12
 Mantenimiento	13
 Garantía	14
 Servicio técnico	16

Siempre consulte con un técnico calificado o una agencia de servicio para reparar esta unidad.

! NOTA: Procedimientos y técnicas importantes a considerar.

! PRECAUCIÓN:
Procedimientos y técnicas que, si no se respetan atentamente, terminarán por dañar el equipo.

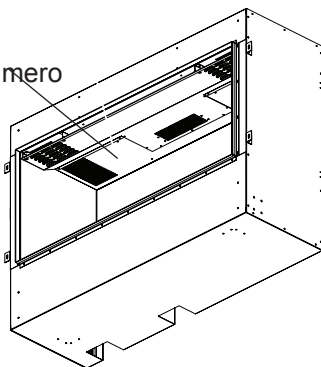
! ADVERTENCIA:
Procedimientos y técnicas que, si no se respetan escrupulosamente, expondrán al usuario a un riesgo de incendio, lesiones graves o la muerte.

i Bienvenido y felicitaciones

Gracias, y felicitaciones por comprar un calentador Pro Box de Opti-myst con Dimplex. Por favor, utilice nuestra página en línea para registrar el número de modelo y de serie para referencia futura en:


www.dimplex.com/register

Número de
modelo y número
de serie




Lea estas instrucciones atentamente y guárdelas.


⚠ PRECAUCIÓN: Antes de comenzar la instalación asegúrese de leer las instrucciones y advertencias cuidadosamente. El incumplimiento de estas instrucciones puede causar una descarga eléctrica o crear un peligro de incendio, y anulará la garantía.

NO  ES NECESARIO REGRESAR A LA TIENDA

¿Tiene preguntas sobre la operación o el montaje? ¿Necesita información sobre las piezas? ¿El producto está protegido por la garantía del fabricante?

Comuníquese con nosotros en: 
www.dimplex.com/customer_support


Para solucionar problemas y recibir servicio de asistencia técnica

O llame  sin cargo al 1-888-DIMPLEX (1-888-346-7539)

De lunes a viernes, de 8:00 a.m. a 4:30 p.m., hora estándar del Este
A fin de proporcionarle un mejor servicio, tenga a la mano el número de modelo y de serie del producto cuando llame, o regístrelos en línea. (Ver más arriba).

INSTRUCCIONES IMPORTANTES

Cuando se usen aparatos eléctricos, siempre deben seguirse las precauciones básicas para reducir el riesgo de incendio, descarga eléctrica y lesiones a las personas, que incluyen las siguientes:

- ① Lea todas las instrucciones antes de utilizar el calentador.
- ② El calentador se calienta cuando está en uso. Para evitar quemaduras, no toque las superficies calientes sin protección. La superficie alrededor del calentador se calienta durante el funcionamiento de la unidad.
-  **PELIGRO:** En ciertas condiciones anormales de operación, el calentador alcanza temperaturas altas. No cubra ni total ni parcialmente el frente del calentador.
- ③ Tenga mayor precaución cuando utilice cualquier calentador cerca de niños o personas discapacitadas, o bien si ellos lo manejan, y siempre que se deje la unidad en funcionamiento y sin vigilancia.
- ④ Siempre desconecte el calentador cuando no lo esté usando.

- ⑤ No opere ningún calentador si no funciona correctamente. Desconecte el suministro eléctrico en el panel central y solicite los servicios de un electricista acreditado para que revise el calentador antes de volver a utilizarlo.
- ⑥ No encienda la unidad si el cable está dañado o si el calentador funcionó mal, o si se cayó o se dañó de alguna manera; contacte al Servicio Técnico de Dimplex al 1-888-346-7539.
- ⑦ No utilice este aparato en exteriores.
- ⑧ Este calentador no ha sido diseñado para utilizarse en baños, zonas de lavandería ni recintos interiores similares. Nunca coloque el calentador sobre una bañera u otro recipiente con agua.
- ⑨ Para desconectar la unidad, APAGUE los controles y desconéctela del panel de servicio.
- ⑩ No introduzca ni deje que entren cuerpos extraños en los orificios de ventilación o escape,

INSTRUCCIONES IMPORTANTES

ya que ello puede provocar una descarga eléctrica o un incendio, o bien ocasionar daños al calentador.

⑪ Para evitar un posible incendio, no bloquee la entrada ni la salida de aire en ningún momento.

⑫ Todos los calentadores eléctricos contienen piezas calientes que provocan chispas o arcos eléctricos. No lo utilice en zonas en las que se emplee o almacene gasolina, pintura o líquidos inflamables.

⑬ No modifique el calentador. Utilícelo sólo como se describe en este manual. Cualquier otro uso que no haya sido recomendado por el fabricante puede provocar un incendio, una descarga eléctrica o lesiones a las personas.

⑭ En caso de requerirse nuevos circuitos o tomacorrientes, acuda siempre a un electricista calificado.

⑮ Siempre use tomacorrientes polarizados y con fusible, correctamente conectados a tierra.

⑯ Desconecte todo el suministro eléctrico antes de realizar cualquier tipo de limpieza, mantenimiento o reubicación de la unidad.

⑰ Mantenga la unidad en un lugar seco y sin vibraciones excesivas cuando la transporte o la guarde, para protegerla de cualquier daño.

! NOTA: Los cambios o las modificaciones que no hayan sido expresamente aprobados por el responsable del cumplimiento, podrían anular la autorización que el usuario tiene para utilizar dicha unidad.

PRECAUCIÓN

RIESGO DE DESCARGA ELÉCTRICA

NO ABRIR

NO CONTIENE PIEZAS QUE PUEDAN SER
REPARADAS POR EL USUARIO



GUARDE ESTAS INSTRUCCIONES

⚠ ADVERTENCIA: TODA OPERACIÓN DE INSTALACIÓN Y MANTENIMIENTO DEBE SER EFECTUADA POR PERSONAL CALIFICADO Y AUTORIZADO. TODA OPERACIÓN DE INSTALACIÓN DEBE ADHERIRSE A LOS CÓDIGOS Y REGLAMENTOS LOCALES, Y LAS AUTORIDADES LOCALES CORRESPONDIENTES DEBEN INSPECCIONAR Y APROBAR EL PRODUCTO ANTES DE QUE PUEDA USARSE.

⚠ ADVERTENCIA: La construcción y el cableado eléctrico deben cumplir con las ordenanzas municipales de construcción y con las demás reglamentaciones aplicables para reducir el riesgo de incendio, descarga eléctrica y lesiones.

Casete Opti-myst

El calentador Pro Box de Opti-myst trabaja exclusivamente con el casete Opti-myst (CDFI1000-PRO). Los controles para el calentador se encuentran en el casete.

Nueva construcción

Cuando seleccione la ubicación del calentador Pro Box de Opti-myst®, verifique que no esté expuesta

a corrientes de aire, ventilas, ventiladores de techo, etc. Como ocurre con una vela, las corrientes de aire pueden afectar la capacidad de la unidad para crear y mantener el efecto de llama.

Instalación de la conexión alámbrica

El calentador Pro Box de Opti-myst viene ensamblado y está diseñado para instalarse de forma permanente. La unidad está lista para la instalación de la conexión alámbrica.

⚠ ADVERTENCIA: No intente conectar circuitos ni tomacorrientes nuevos. Para reducir el riesgo de incendio, descarga eléctrica o lesiones, acuda siempre a un electricista certificado.

! NOTA: Lea todas las instrucciones antes de instalar la unidad.

1. Para que el marco quede oculto, el orificio debe respetar las dimensiones recomendadas que aparecen en la Figura 1.

! NOTA: Las dimensiones proporcionadas son distancias mínimas y pueden variar según el tipo de soporte, marco y acabado.

Instalación

! NOTA: El marco debe estar diseñado para soportar 160 lbs (73 kg)

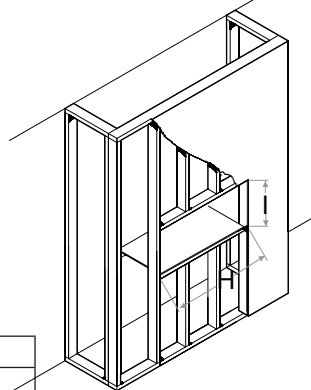
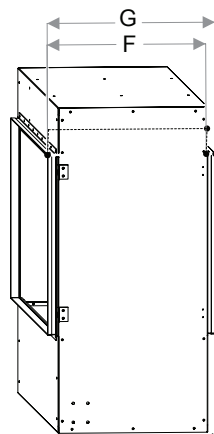
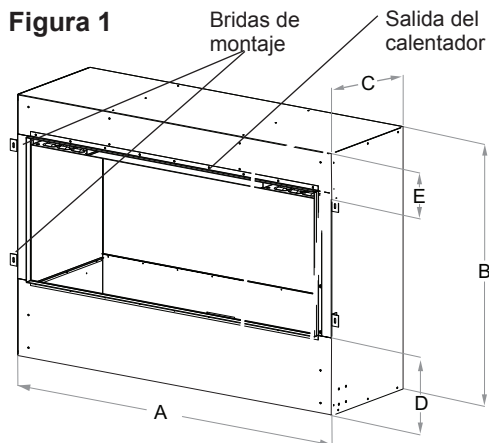
⚠ ADVERTENCIA: Para reducir el riesgo de incendios, no almacene o utilice gasolina ni ningún otro vapor o líquido inflamable cerca de la unidad.

2. Permita hasta 4 pies (122 cm) de cable de servicio para conectar un cable de alimentación al casete de Opti-myst, cuando éste se instale antes de realizar el acabado de la pared.

! NOTA: Se requiere un circuito de corriente alterna (VAC) de 15 amperios y 120 voltios. Es preferible disponer de un circuito exclusivo, pero no es esencial en todos los casos. Hará falta un circuito exclusivo si, después de la instalación, el disyuntor salta o se funden los fusibles con cierta frecuencia cuando el calentador esté en funcionamiento. Si conecta otros aparatos al mismo circuito, podrían sobrepasar la capacidad nominal de corriente del disyuntor.

Instalación

Figura 1



! NOTA: Utilice un cable de alimentación de por lo menos 14 AWG con dos conductores de cobre aislados (blanco y negro) y un cable desnudo a tierra.

	A	B	C	D
CDFI-BX1000	44.9 pulgadas (114 cm)	31.75 pulgadas (80.5 cm)	14.7 pulgadas (37.3 cm)	9.5 pulgadas (24 cm)

	E	F	G	H	I
CDFI-BX1000	4.8 pulgadas (12.2 cm)	15.5 pulgadas (39.3 cm)	16.2 pulgadas (41.2 cm)	45.2 pulgadas (115.2 cm)	32.3 pulgadas (82 cm)


Instalación

No utilice cables con conductores de aluminio.

! **NOTA:** Se recomienda terminar toda la instalación de paneles de yeso y acabados después de instalar completamente la unidad.

3. El calentador Pro Box de Opti-myst puede instalarse de forma que tenga dos lados o uno. Para instalaciones de un lado, retire las 4 bridas de la parte posterior si no hay suficiente profundidad en el marco para ellas. Con los mismos tornillos, reemplace el panel trasero. Consulte la Figura 2. Para instalaciones de dos lados, retire las bridas y el panel trasero y, con los mismos tornillos, reemplace las bridas.

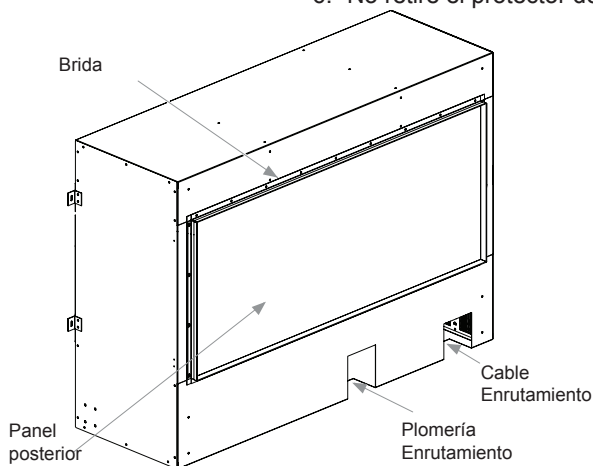
! **NOTA:** El aire del calentador sale sólo en una dirección. Tenga eso en cuenta al instalar la unidad con 2 lados.

 **PRECAUCIÓN:** Al insertar la unidad, tenga cuidado de no dañar o pellizcar ninguno de los cables de alimentación que se esconden en la pared.

4. Monte el calentador Pro Box de Opti-myst en el marco con los soportes de pared y los tornillos adecuados para la aplicación (Figura 1).
5. Instale el cable a través de la abertura en la parte posterior del calentador Pro Box de Opti-myst. Retire la cubierta exterior y pele los conductores individuales a $\frac{1}{2}$ pulgada (1.3 cm) del extremo.

6. No retire el protector de cartón del

Figura 2



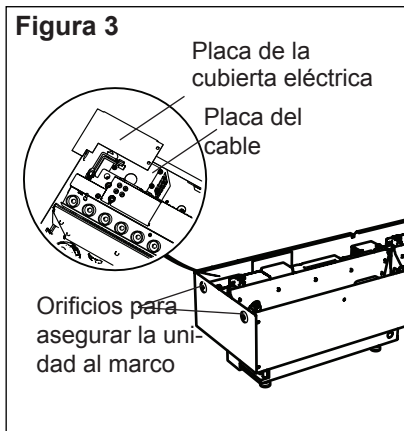
Instalación

calentador Pro Box de Opti-myst hasta que esté instalado el casete de Opti-myst. Esto ayudará a evitar que se rayen o dañen los lados del calentador Pro Box de Opti-myst.

7. Siga las instrucciones de instalación incluidas con el casete de Opti-myst para instalar en el calentador Pro Box de Opti-myst. Utilice los tornillos que incluye la unidad para fijar el casete al calentador Pro Box de Opti-myst a través de los agujeros en el casete (Figura 3).
8. En la esquina posterior izquierda del casete de Opti-myst (Figura 3), localice y retire la placa de la cubierta quitando los dos tornillos de seguridad.
9. Instale un conector de cable (no está incluido) adecuado para el montaje en un orificio de $\frac{7}{8}$ pulgadas (22 mm), en la placa del cable e introduzca el cable eléctrico a través del conector. Retire los dos tornillos a los extremos que fijan el tablero para quitar la placa del cable y tener acceso más fácilmente.

⚠ PRECAUCIÓN: Utilice un cable de dos conductores de cubierta no metálica con el cable de tierra (3 cables en total) para el suministro eléctrico de entrada del casete. Utilice el cable adecuado para cumplir con los códigos municipales y nacionales de consumo de energía

Figura 3



nominal.

10. Conecte los cables negros (vivos) del casete Opti-myst y del calentador Pro Box de Opti-myst a la conexión de la fuente de alimentación.
11. Conecte los cables blancos (neutros) del casete Opti-myst y del calentador Pro Box de Opti-myst al cable neutro de la fuente de alimentación.
12. Conecte los cables verdes (tierra) de la casete Opti-myst y del calentador Pro Box de Opti-myst al cable de tierra de la fuente de alimentación.
13. Coloque todos los conectores dentro del casete Opti-myst y fije la abrazadera del cable a la unidad, asegurándose de que esté sujeta únicamente de la cubierta del cable de servicio.

Instalación

⚠ PRECAUCIÓN: Verifique que los conectores del cable estén asegurados firmemente, de manera que no haya cables desnudos (vivos o neutros) que queden expuestos.

14. Conecte el conector de 2 pines del casete Opti-myst al calentador Pro Box de Opti-myst (Figura 4).

15. Termine la pared circundante. Existen 3 opciones diferentes para el acabado de la pared:

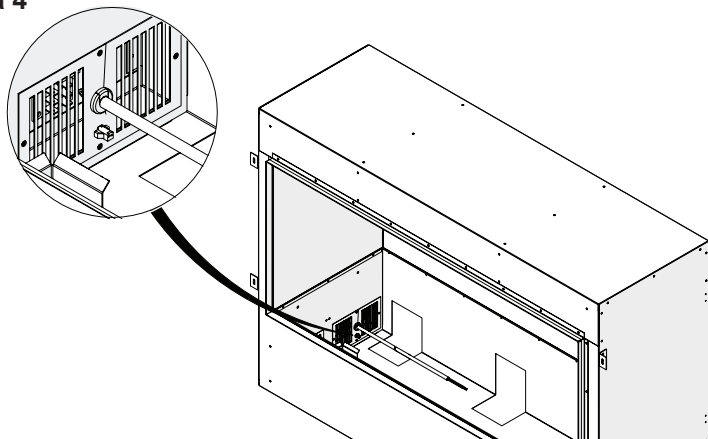
- **Permanente** - instale paneles de yeso hasta la brida que rodea el orificio.
- **Semipermanente** - realice el acabado alrededor del borde utilizando material para tapar juntas (no incluido).
- **Flexible** - haga un orificio lo suficientemente grande para

tener acceso a las bridas de montaje y coloque un frente aparente que pueda quitarse.

⚠ ADVERTENCIA: Para reducir el riesgo de incendio, descarga eléctrica o lesiones a personas, desconecte el suministro eléctrico antes de limpiar o dar mantenimiento a la unidad.

16. No se necesita la placa de recursos incluida con el casete Opti-myst, así que puede desecharse. Después de completar la instalación, coloque la bandeja de recursos incluida con el calentador Pro Box de Opti-myst en su posición sobre el casete Opti-myst. La bandeja puede utilizarse para guardar diferentes recursos. Cuando elija los materiales para la bandeja, tenga en cuenta que ésta se calienta.

Figura 4



🔑 Funcionamiento

El calentador puede ser controlado por control remoto o con el controlador conectado a través del casete Opti-myst. Consulte la Guía del usuario del casete para obtener más información.

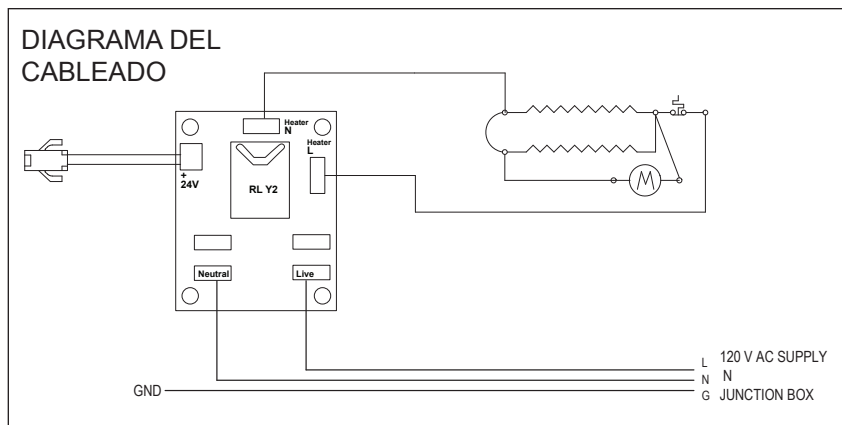
! NOTA: El calentador Pro Box de Opti-myst no puede funcionar de forma independiente del casete Opti-myst.

Reajuste del interruptor de corte de la temperatura

En caso de que el calentador se caliente, un interruptor automático lo apagará y no se volverá a encender sin que se restablezca. Para reiniciar el interruptor

de límite de temperatura, es necesario desconectar la alimentación de la unidad, esperar 5 minutos y volver a conectar la unidad.

⚠ PRECAUCIÓN: Si es necesario reiniciar el calentador continuamente, desenchufe la unidad y llame a Dimplex North America Limited al 1-888-346-7539 para recibir asistencia técnica. Tenga a mano el número de modelo y de serie del producto cuando llame.





Mantenimiento

Limpieza de la superficie del calentador Pro Box de Opti-myst

Para eliminar las huellas dactilares u otras marcas, el vidrio puede limpiarse con un paño húmedo y un detergente suave. La superficie deberá secarse completamente con un paño sin pelusa para evitar manchas de agua.

! NOTA: El calentador no debe ser operado si hubiera acumulación de polvo o de suciedad sobre o dentro del mismo, ya que ello puede originar una acumulación de temperatura y dañar la unidad. Por ello, debe verificar el calentador periódicamente, dependiendo de su estado y, por lo menos, una vez al año.

Servicio técnico

Con excepción de los procedimientos de instalación y limpieza descritos en este manual, un representante autorizado de servicio técnico deberá realizar cualquier otro tipo de servicio.

GARANTÍA LIMITADA DE 2 AÑOS

Productos sobre los que se aplica esta garantía limitada

Esta garantía limitada se aplica a su nueva compra, el calentador de Dimplex. Esta garantía limitada sólo cubre las compras realizadas en cualquier provincia de Canadá, excepto en el territorio de Yukón, Nunavut, o los Territorios del Noroeste, o en cualquiera de los 50 estados de los Estados Unidos de América (incluido el Distrito de Columbia), excepto Hawái y Alaska. Esta garantía limitada se aplica al comprador original del producto únicamente y no es transferible.

Productos excluidos de esta garantía limitada

No están cubiertos por esta garantía limitada los productos comprados en el Territorio de Yukón, Nunavut, Territorios del Noroeste, Hawái ni Alaska. Los productos adquiridos en estos Estados, provincias o territorios se venden TAL CUAL, sin garantía ni condición de ningún tipo (que incluye, sin limitación, cualquier garantía implícita o condiciones de comerciabilidad o adecuación a un fin particular), y el riesgo total respecto de la calidad y del rendimiento de los productos recae en el comprador; y en el caso de un defecto, el comprador asume todo el costo de cualquier servicio técnico o reparación necesarios.

Lo que cubre la garantía y hasta cuándo

Los productos cubiertos por esta garantía limitada han sido puestos a prueba e inspeccionados antes de ser enviados y, de acuerdo con las cláusulas de esta garantía, Dimplex garantiza que las piezas de calentador de los productos no tienen defectos en sus materiales ni defectos de fábrica durante un periodo de 12 meses a

partir de la fecha de la primera compra del producto.

El periodo de garantía limitada se aplica también a cualquier garantía implícita que pueda existir de acuerdo con la legislación vigente aplicable. Algunas jurisdicciones no permiten limitaciones sobre la duración de la garantía implícita; por ello, la limitación antes mencionada puede que no se aplique al comprador.

Lo que esta garantía limitada no ampara

Esta garantía limitada no cubre productos reparados (salvo por Dimplex o sus representantes técnicos autorizados) o modificados de alguna manera. Esta garantía limitada no cubre defectos por mal uso, abuso, accidente, negligencia, instalación incorrecta, mantenimiento o manejo inadecuados, o funcionamiento con una fuente de alimentación incorrecta, fuego u otra circunstancia fuera del control de Dimplex incluyendo sin limitación, desastre natural.

Lo que debe hacer para solicitar el servicio en virtud de esta garantía limitada

Los defectos deben ser declarados al Servicio Técnico de Dimplex comunicándose con Dimplex al 1-888-DIMPLEX (1-888-346-7539), o a 1367 Industrial Road, Cambridge Ontario, Canadá N3H 4W3. Tenga a mano el comprobante de compra y los números de serie, y catálogo/modelo cuando llame. El servicio de mantenimiento bajo los términos de esta garantía limitada exige un comprobante de compra del producto.

En caso de defectos, Dimplex procederá de la siguiente manera:

En el caso de que, durante el periodo de un año de garantía limitada, se demostre que una pieza o un producto cubierto por



Garantía

esta garantía limitada tiene defectos de material o de fabricación, usted dispondrá de los siguientes derechos:

- Dimplex determinará, a su exclusivo criterio, si repara o reemplaza el producto o la pieza defectuosos sin cargo. Si Dimplex no pudiera reparar o reemplazar el producto o la pieza, o si la reparación o el reemplazo no es comercialmente práctico o no se puede completar en forma oportuna, Dimplex puede determinar que, en lugar de reparar o reemplazar el producto, reintegrará al comprador el precio de compra de dicho producto o dicha pieza.
- El servicio bajo la garantía limitada será realizado únicamente por distribuidores o agentes de servicio de Dimplex autorizados para proporcionar servicios bajo la garantía limitada.
- Esta garantía limitada no otorga derechos al comprador para recibir servicios in situ o en el hogar. Los servicios in situ o en el hogar pueden realizarse a pedido específico del comprador, quien deberá asumir el costo de los honorarios vigentes de Dimplex para tales servicios.
- Dimplex no se responsabiliza ni tampoco los términos de esta garantía limitada no incluirán los gastos en que se incurra para la instalación o el retiro del producto o la pieza (o cualquier producto o pieza de reemplazo) ni de los costos de mano de obra o transporte. Tales costos corren por cuenta del comprador.

Dimplex, los distribuidores y los técnicos de mantenimiento tampoco son responsables de:

EN NINGÚN CASO NI DIMPLEX, NI SUS DIRECTIVOS, NI SUS AGENTES SERÁN RESPONSABLES ANTE EL COMPRADOR

O TERCEROS DE CUALQUIER TIPO, YA SEA CONTRACTUALMENTE, EXTRACONTRACTUALMENTE, O CON CUALQUIER OTRO CONCEPTO, DE CUALQUIER PÉRDIDA, COSTO O DAÑO INDIRECTO, ESPECIAL, PUNITIVO, EJEMPLARIZANTE, MEDIATO O INCIDENTAL, QUE SE PRODUZCA O ESTÉ RELACIONADO CON LA VENTA, MANTENIMIENTO, USO O IMPOSIBILIDAD DE USAR EL PRODUCTO, INCLUSO SI DIMPLEX O SUS DIRECTIVOS, RESPONSABLES O AGENTES HAN SIDO AVISADOS DE LA POSIBILIDAD DE QUE SE PRODUZCAN DICHOS DAÑOS, PÉRDIDAS O COSTOS, O SI TALES DAÑOS, PÉRDIDAS O COSTOS SON PREVISIBLES. EN NINGÚN CASO NI DIMPLEX, NI SUS DIRECTIVOS, O AGENTES SERÁN RESPONSABLES DE CUALQUIER DAÑO, PÉRDIDA O COSTO DIRECTO QUE SUPERE EL PRECIO DE COMPRA DEL PRODUCTO.

ALGUNAS JURISDICCIONES NO PERMITEN LA EXCLUSIÓN O LIMITACIÓN DE DAÑOS INCIDENTALES O MEDIATOS; POR ELLO PUEDE QUE LA LIMITACIÓN O EXCLUSIÓN ANTERIOR NO SEA APLICABLE AL COMPRADOR.

Aplicación de legislaciones provinciales y estatales

Esta garantía limitada le proporciona derechos legales específicos y puede que usted tenga también otros derechos que varían de una jurisdicción a otra. Las cláusulas de la convención de las Naciones Unidas sobre Contratos de Venta de Mercancías no serán aplicables a esta garantía limitada ni a la venta de productos cubiertos por esta garantía limitada.



Servicio Técnico

Para solucionar problemas y obtener ayuda técnica así como una lista de piezas de remplazo acuda a

www.dimplex.com/customer_support.



Dimplex North America Limited

1367 Industrial Road

Cambridge ON

Canada N3H 4W3

© 2017 Dimplex North America Limited