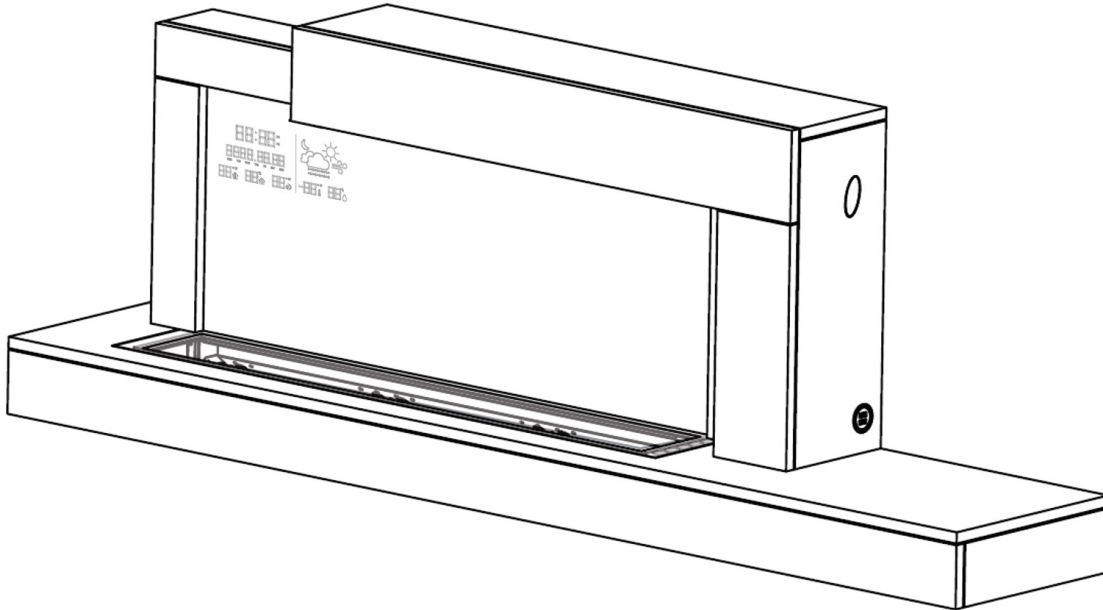




# INSTALLATION AND OPERATION MANUAL

## Cara Elite Wallmount Electric Fireplace

NEFLC32H-IOT illustrated with NEFS32-5019W



### SAFETY INFORMATION

#### **WARNING**

#### **FIRE OR EXPLOSION HAZARD**

If the information in these instructions are not followed exactly, a fire or explosion may result causing property damage, personal injury, or loss of life.

- Do not store or use gasoline or other flammable vapors and liquids in the vicinity of this or any other appliance.

#### **INSTALLER:**

Leave this manual with the appliance

#### **CONSUMER:**

Retain this manual for future reference



**This appliance has a remote that requires button batteries that are hazardous to young children.**

**FOR INDOOR USE ONLY**

**CERTIFIED TO THE CANADIAN AND AMERICAN NATIONAL STANDARDS:  
CSA 22.2 NO. 46 / UL 2021**

APPLY SERIAL NUMBER LABEL FROM CARTON



Serial No. XXXXXX000000  
MODEL NO.



Wolf Steel Ltd., 24 Napoleon Rd., Barrie, ON, L4M 0G8 Canada / 103 Miller Drive, Crittenden, Kentucky, USA, 41030  
Phone 1 (866) 820-8686 • www.napoleon.com • hearth@napoleon.com

## WARNING

- **If equipped with a heater, this appliance can be hot when operated and can cause severe burns if contacted.**
- Do not operate appliance before reading and understanding operating instructions. Failure to operate appliance according to operating instructions could cause fire or injury.
- Do not install damaged, incomplete or substitute components.
- Do not burn wood or other materials in this appliance.
- All electric appliances have hot and arcing or sparking parts inside. Do not use it in areas where a gas line, paint or flammable liquids are present.
- Any safety screen or guard removed for servicing must be replaced prior to operating the appliance.
- It is imperative that the control compartments, circulating blower and its passageway in the appliance are kept clean. The appliance should be inspected before use and at least annually by a qualified service person. More frequent cleaning may be required due to excessive lint from carpeting, bedding material, etc. The appliance area must be kept clear and free from combustible materials, gasoline and other flammable vapors and liquids.
- Under no circumstances should this appliance be modified.
- Do not use this appliance if any part has been under water. Immediately call a qualified service technician to inspect the appliance and to replace any part of the control system which has been under water.
- If equipped with a glass door, do not operate the appliance with the glass door removed, cracked or broken. Replacement of the glass should be done by a licensed or qualified service person. Do not strike or slam shut the appliance glass door.
- Keep the packaging material out of reach of children and dispose of the material in a safe manner. As with all plastic bags, these are not toys and should be kept away from children and infants.
- Servicing should be done only while the appliance is disconnected from the power supply circuit.
- Always unplug appliance when not in use.
- Do not operate this appliance with a damaged cord or plug after the appliance malfunctions, has been dropped or damaged in any manner. Return appliance to authorized service facility for examination, electrical or mechanical adjustment, or repair.
- Do not use outdoors.
- When installing this appliance in a room where water is present, the installation must comply with codes recognizing the increased hazard of electrical shock and electrocution.

**note:**

This appliance is NOT suitable for installation in a bathroom.

- Do not run cord under carpeting. Do not cover cord with throw rugs, runners, or the like. Arrange cord away from traffic area and where it will not be tripped over.
- Connect to properly grounded outlets only.
- Do not insert or allow foreign objects to enter any ventilation or exhaust opening as this may cause an electric shock or fire, or damage the appliance.
- It is normal for your electric appliance to produce noise, especially when installed in a quiet space such as a bedroom.

**! WARNING**

- To prevent a possible fire, do not block air intakes or exhaust in any manner. Do not use on soft surfaces, like a carpet, where openings may become blocked.
- Always plug appliances directly into a wall outlet/receptacle. Never use an extension cord or relocatable power tap (outlet/power strip).
- These appliances are tested and listed for use only with the optional accessories listed in these instructions. Use of optional accessories not specifically tested for this appliance could void the warranty and/or result in a safety hazard.

**For appliances equipped with a heater:**

- Risk of burns. Power to the appliance should be turned off and the appliance allowed to cool before servicing. To disconnect power to the appliance, turn controls to off, then remove plug from outlet.
- Young children should be carefully supervised when they are in the same room as the appliance. Toddlers, young children and others may be susceptible to accidental contact burns. A physical barrier is recommended if there are at risk individuals in the house. To restrict access to an appliance or stove, install an adjustable safety gate to keep toddlers, young children and other at risk individuals out of the room and away from hot surfaces.
- Clothing or other flammable material should not be placed on or near the appliance.
- Due to high temperatures, the appliance should be located out of traffic and away from furniture and draperies.
- Ensure you have incorporated adequate safety measure to protect infants/toddlers from touching hot surfaces.
- Even after the appliance is off, the glass and/or screen will remain hot for an extended period of time.
- Check with your local hearth specialty dealer for safety screens and hearth guards to protect children from hot surfaces. These screens and guards must be fastened to the floor.
- Ensure clearances to combustibles are maintained when building a mantel or shelves above the appliance. Elevated temperatures on the wall or in the air above the appliance can cause melting, discoloration or damage to decorations, a TV or other electronic components.
- This appliance's wood surround (NEFS32-5019W) complies with EPA TSCA Title VI and C.A.R.B. Phase 2 Formaldehyde Emissions Standard 93120.2 (a).

**! WARNING:** This product can expose you to chemicals including lead and lead compounds, which are known to the State of California to cause cancer, and chemicals including BBP and DEHP, which are known to the State of California to cause birth defects or other reproductive harm. For more information, go to [www.P65Warnings.ca.gov](http://www.P65Warnings.ca.gov).

<b>1.0</b>	<b>general information</b>	<b>5</b>
1.1	appliance overview	5
1.1.1	e-box & surround	5
1.1.2	features	5
1.2	dimensions	6
1.3	listing approvals	6
1.4	general instructions	7
1.5	unpacking & testing appliance	7
1.6	rating plate information	7
1.7	hardware list	8
<b>2.0</b>	<b>installation</b>	<b>8</b>
2.1	locating the appliance	9
2.2	label location	9
2.3	grounding appliance	10
2.4	minimum clearance to combustibles	10
2.5	minimum mantel clearances	10
2.6	installing the appliance onto the wall (wall mount)	11
<b>3.0</b>	<b>electrical information</b>	<b>13</b>
3.1	wiring diagram	13
3.2	hard-wiring installation	14
<b>4.0</b>	<b>operating instructions</b>	<b>15</b>
4.1	operating control panel	15
4.2	operating remote control	16
4.3	remote battery installation	18
<b>5.0</b>	<b>finishing</b>	<b>19</b>
5.1	crystal ember installation	19
5.2	optional birch wood log installation	19
<b>6.0</b>	<b>Napoleon Connectivity</b>	<b>20</b>
6.1	adding a device	21
6.2	using the app	23
6.2.2	heat setting	23
6.2.1	power setting	23
6.2.3	ember bed setting	24
6.2.4	flame setting	24
6.2.6	accessory lights setting	25
6.2.5	timer settings	25
6.3	weather display information	26
6.4	weather display layout	27
6.5	Napoleon Connectivity important information	27
<b>7.0</b>	<b>replacement parts</b>	<b>28</b>
7.1	overview	29
<b>8.0</b>	<b>troubleshooting</b>	<b>30</b>
<b>9.0</b>	<b>warranty</b>	<b>32</b>

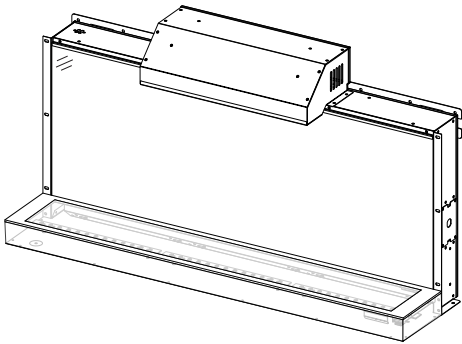
**note:**

The information throughout this manual is believed to be correct at the time of printing. Wolf Steel Ltd. reserves the right to change or modify any information within this manual at any time without notice. Changes, other than editorial, are denoted by a vertical line in the margin.

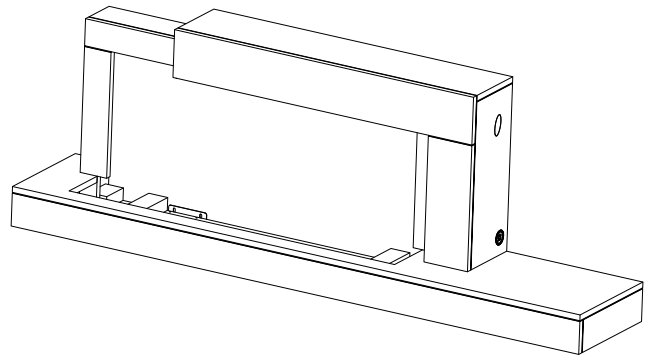
## 1.1 appliance overview

### 1.1.1 e-box & surround

Your NEFP32-5019W-IOT electric appliance comes fully assembled with the exception of media (see "finishing" section for more details). It consists of the following two components:



**NEFLC32H-IOT  
E-Box**



**NEFS32-5019W  
Surround**

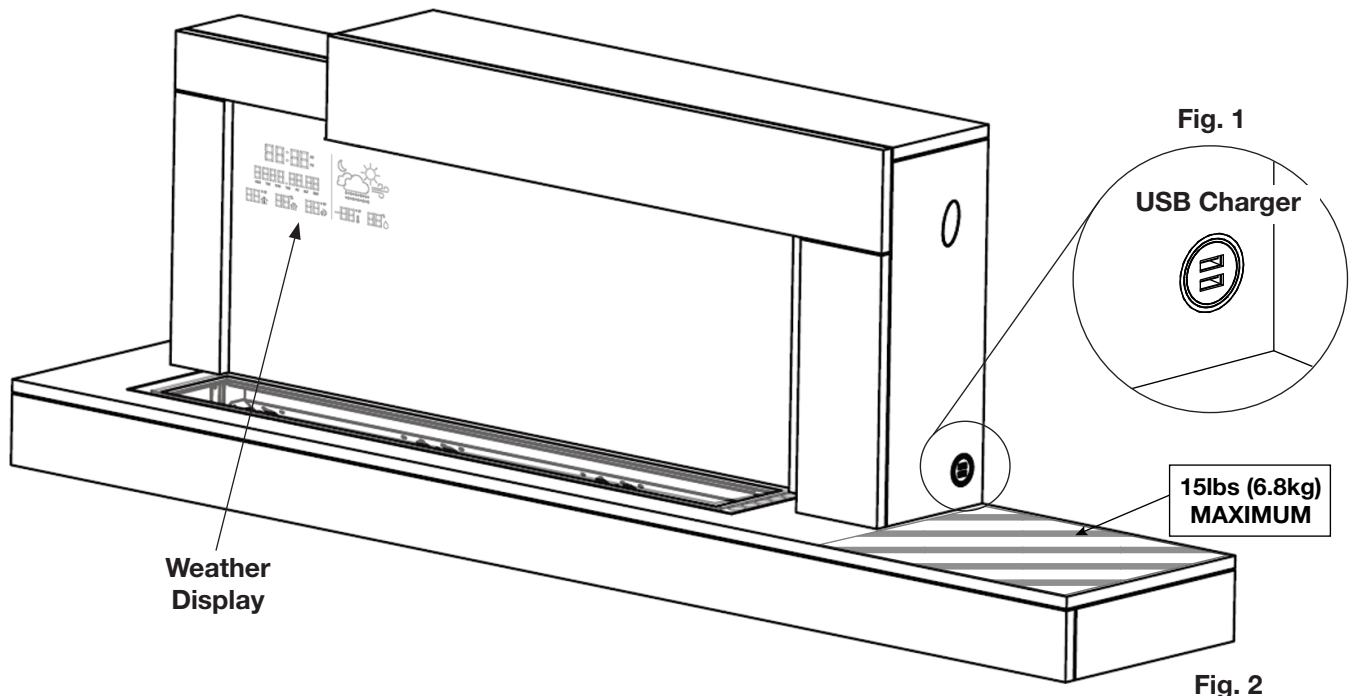
### 1.1.2 features

- This appliance features a Dual 1.5A USB Fast Charger located on the right side of the NEFS32-5019W surround (**Fig. 1**). See "operating instructions" section for more details.

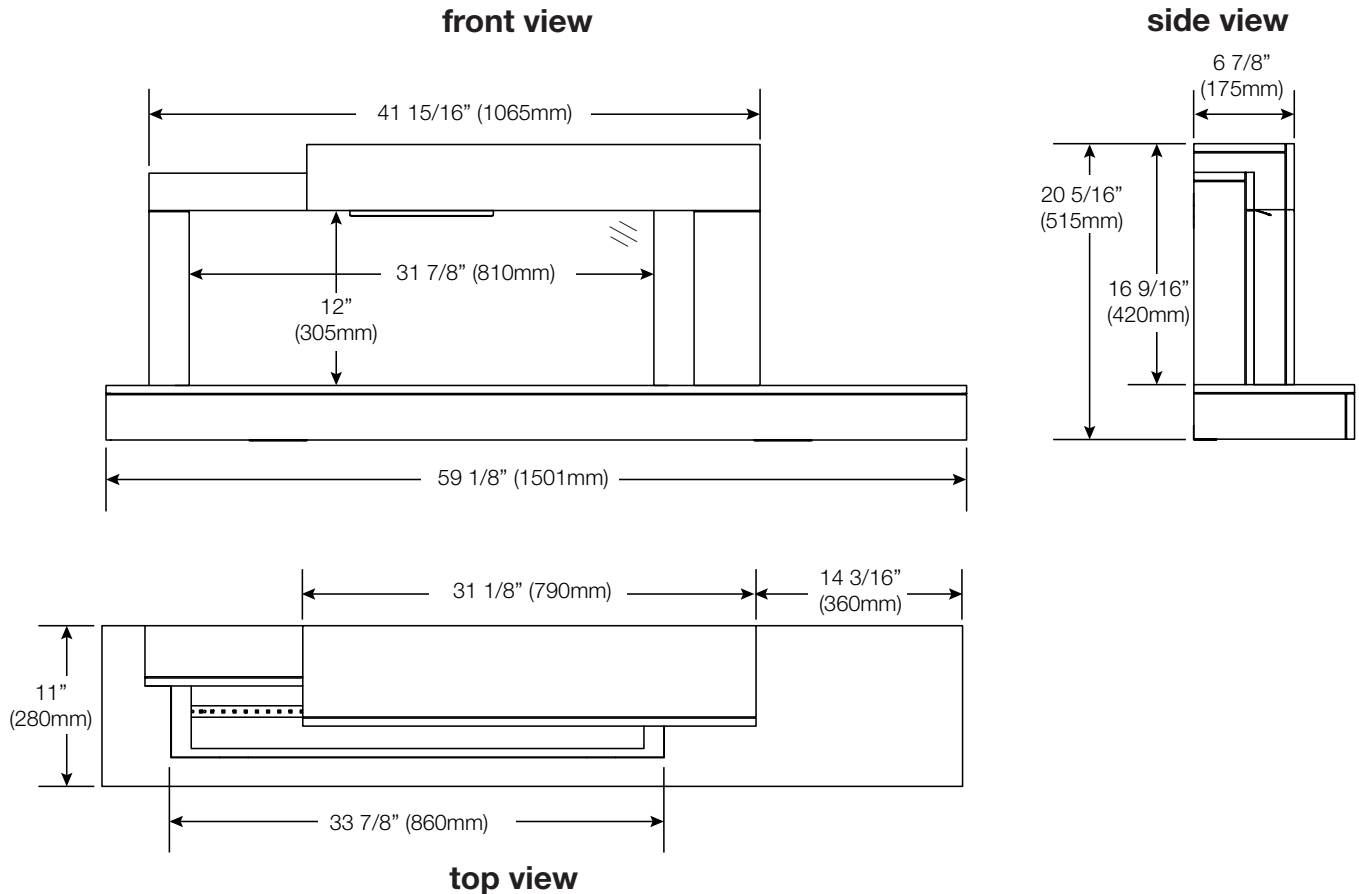
**note:**

This USB charger may not be compatible with all phone types.

- The NEFS32-5019W surround is load-bearing in the hatched area ONLY (**Fig. 2**), with a maximum load-bearing capacity of 15lbs (6.8kg). Objects may not be placed on any other part of the appliance.
- The appliance features a weather display in the top left-hand corner of the front glass (see "weather display information" for more details) and a wireless charging station on the bottom right console.



## 1.2 dimensions



## 1.3 listing approvals

<b>Model Number</b>	NEFP32-5019W-IOT
<b>Description</b>	59" Contemporary Wall-Mounted Electric Appliance
<b>Voltage</b>	120V AC
<b>Watts</b>	Max 1500W
<b>Amps</b>	15 AMP Grounded Circuit
<b>Appliance Width</b>	59 1/8" (1501mm)
<b>Appliance Height</b>	20 5/16" (515mm)
<b>Appliance Depth</b>	11" (280mm)
<b>Net Weight</b>	58lbs (26.3kg)
<b>Gross Weight</b>	96lbs (43.5kg)

This appliance has been tested in accordance with the CSA Standards for fixed and location-dedicated electric room appliances in the United States and Canada. If you need assistance during installation, please contact your local dealer.

**note:**

This appliance must be electrically wired and grounded in accordance with local codes or, in the absence of local codes, with National Electric Code ANSI/NFPA 70 latest edition in the United States or the Canadian Electric Code CSA C22.1 in Canada.

### 1.4 general instructions

- Prior to plugging your appliance into an electrical outlet, verify that the house circuit breakers for the outlet are on.
- The appliance may emit a slight, harmless odour when first used. This odour is normal and it is caused by the initial heating of internal appliance elements and will not occur again.
- If your appliance does not emit heat when called for, consult the “operation” section of this manual for further information.
- Use with a CSA or UL certified surge protector.
- Do not route the power cord directly underneath the appliance.

This electric appliance meets the construction and safety standards of H.U.D. for application in manufactured homes when installed according to these instructions.

As with most electronic devices, your new electric appliance has been designed to operate at temperatures between 5°C (41°F) and 35° C (95°F). During the colder winter months, allow the appliance to reach room temperature before turning it on.

### 1.5 unpacking & testing appliance

Carefully remove the appliance from the box and remove the support brackets. Prior to installing the appliance, remove all packaging material and test to make sure the appliance operates properly by plugging the power supply cord into a conveniently located 120V, 15 Amp minimum dedicated grounded outlet.

### 1.6 rating plate information

CERTIFIED UNDER CANADIAN AND AMERICAN NATIONAL STANDARD: CSA 22.2 NO. 46 AND UL 2021 / HOMOLOGUÉ SELON LES NORMES NATIONALES CANADIENNES ET AMÉRICAINES:CSA 22.2 NO. 46 UL 2021	
ELECTRIC FIREPLACE. SUITABLE FOR BEDROOM AND BED-SITTING ROOM INSTALLATION.	FOYER À ÉLECTRIQUE. HOMOLOGUÉ POUR INSTALLATION DANS UNE CHAMBRE À COUCHER ET UN STUDIO.
	
C US	
MASTER CONTRACT: 161746	CONTRAT-CADRE: 161746
MODEL / MODÈLE:	
<input type="checkbox"/> NEFLC32H-IOT	<input type="checkbox"/> CEFLC32H-IOT
VOLTAGE: 120 VAC	TENSION: 120VCA
FREQUENCY: 60Hz	FRÉQUENCE: 60Hz
POWER: 1500W	PUISSANCE: 1500W
DATE CODE:	CODE DE DATE:
DESIGNED IN NORTH AMERICA BY WOLF STEEL LTD.	DÉSIGNÉ AMÉRIQUE DU NORD PAR WOLF STEEL LTD.
MADE IN CHINA	FABRIQUÉ EN CHINE
WOLF STEEL LTD. 24 NAPOLEON ROAD, BARRIE, ON, L4M 0G8 CANADA	SERIAL NUMBER/NO. DE SÉRIE: <b>NEFLC32IOT</b>
	W385-2559

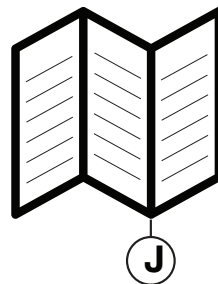
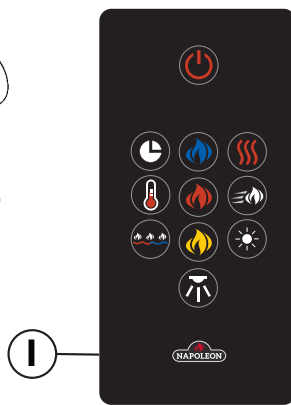
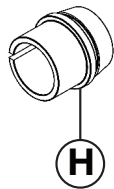
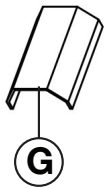
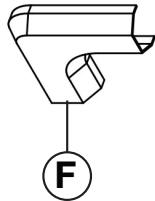
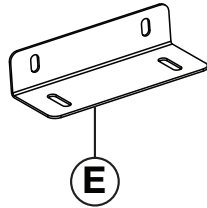
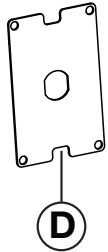
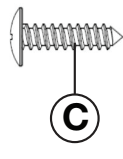
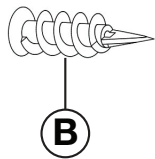
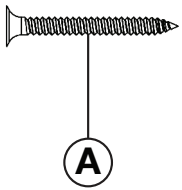
This illustration is for reference only. Refer to the rating plate on the appliance for accurate information.

**note:**

The rating plate must remain with the appliance at all times. It must not be removed.

# general information

## 1.7 hardware list



	Description	Quantity
<b>A</b>	Wood Screws	18
<b>B</b>	Drywall Anchors	18
<b>C</b>	ST4x12 Metal Screws	4
<b>D</b>	Cover Plate	1
<b>E</b>	Support Bracket	2
<b>F</b>	Cord Corner	2
<b>G</b>	Cord Cover	2
<b>H</b>	Strain Relief	1
<b>I</b>	Remote control	1
<b>J</b>	Wallmount template	1

## 2.0 installation

### ! WARNING

- Risk of fire! The power cord must not be pinched against a sharp edge. Secure cord to avoid tripping or snagging to reduce the risk of fire, electric shock, or personal injury. Do not run cord under carpeting. Do not cover cord with throw rugs, runners, or similar items. Arrange cord away from traffic areas and where it will not be tripped over.
- Risk of fire! To prevent a possible fire, do not block air intake or exhaust in any manner. Do not use on soft surfaces where openings may become blocked.
- Risk of fire! Do not blow or place insulation against the appliance.
- This electric appliance is tested and listed for use only with the approved optional accessories. Use of optional accessories not specifically tested for this electric appliance could void the warranty and/or result in a safety hazard.
- If the information in these instructions is not followed exactly, a fire or explosion may result causing property damage, personal injury, or death. Do not store or use gasoline or other flammable vapors in the vicinity of this or any other appliance.
- This appliance is heavy. It is highly recommended that two people install this appliance.
- If your appliance is equipped with a heater, ensure the heater vents cannot, in any way, be covered as it may create a fire hazard.
- Do not run the power cord horizontally, directly below the appliance.

Your appliance is a wall-mounted appliance. Select a suitable location that is not susceptible to moisture and is away from drapes, furniture and high traffic areas.

#### note:

Follow all national and local electrical codes.

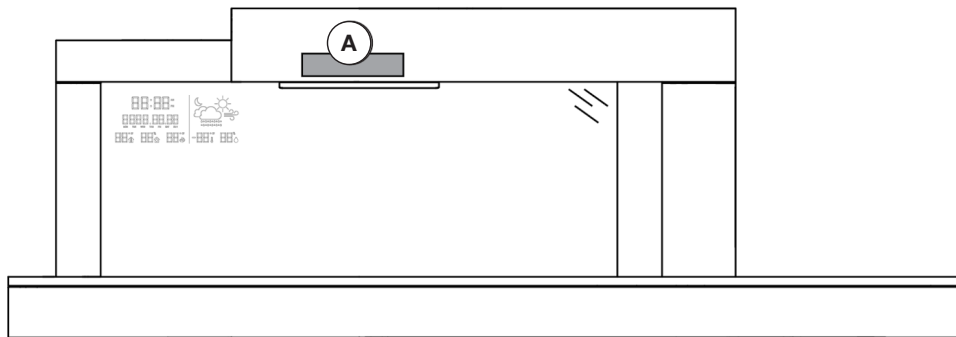


## 2.1 locating the appliance

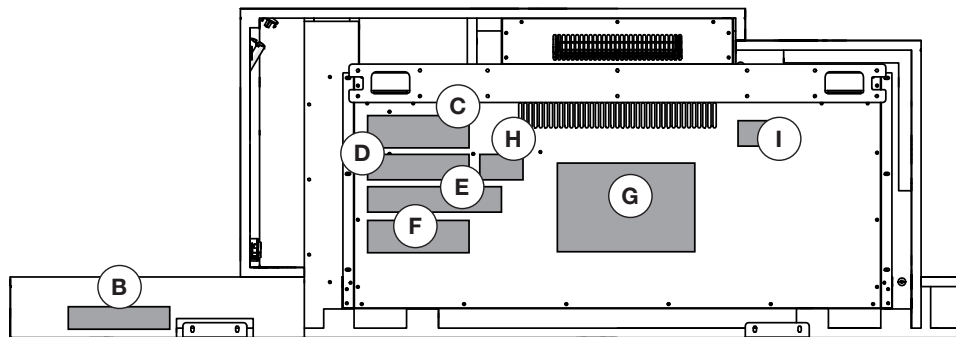
### WARNING

- Due to high temperatures, this electric appliance should be located out of traffic. Keep combustible materials such as furniture, pillows, bedding, papers, clothes, curtains, and similar items at least 36" (91.4cm) from the front of the appliance.
- Never locate this electric appliance where it may fall into a water container.
- Wear safety gloves and safety glasses for protection during installation and maintenance.
- To prevent contact with sagging or loose insulation, the electric appliance must not be installed against vapor barrier or exposed insulation. Localized overheating could occur, possibly resulting in a fire.
- Do not expose the electric appliance to the elements (i.e. rain).

## 2.2 label location



**FRONT VIEW**



**BACK VIEW**

Ref.	Part Number	Label Description
A	W385-1946	"Do Not Cover"
B	W385-2016	C.A.R.B. Label
C	W385-2167	Caution
D	W385-2163	Warning
E	W385-2348	Hardwiring
F	W385-2559	Rating Plate
G	W385-2561	Wiring Diagram
H	-	FCC Label
I	-	Wifi DSN Number

**note:**

For illustrative purposes only. Label locations may vary.

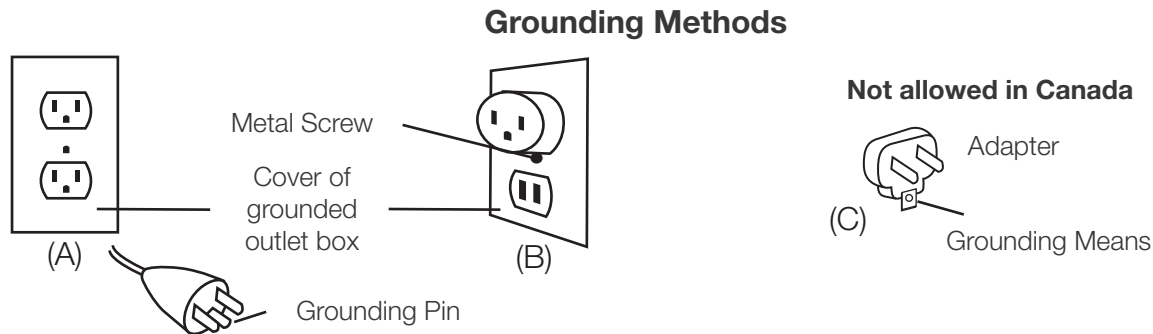
# installation

## 2.3 grounding appliance

This appliance is for use on 120 volts. The cord has a plug as shown in (A). An adapter as shown in (C) is available for connecting three-blade grounding type plugs to two-slot receptacles, as shown in (B).

The green grounding plug extending from the adapter must be connected to a permanent ground such as a properly grounded outlet box. The adapter should not be used if a three-slot grounded receptacle is available.

To disconnect appliance, turn controls to off, then remove plug from outlet.



**note:**

The appliance must be connected to a dedicated 15 amp circuit. The use of an extension cord is NOT permitted.

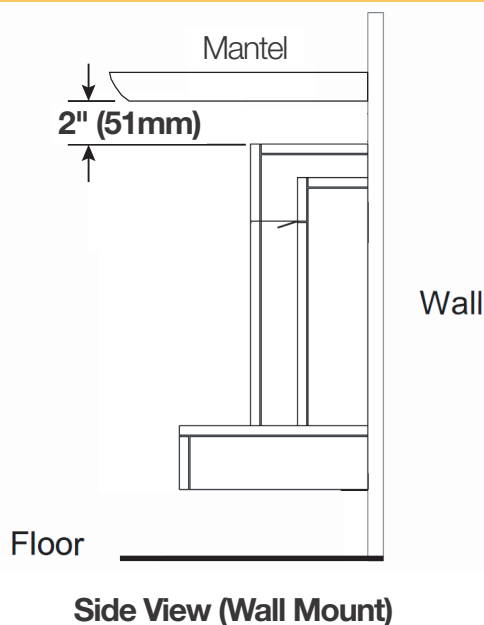
## 2.4 minimum clearance to combustibles

Clearance to Combustibles	
Combustibles to top	0"
Combustibles to bottom	0"
Combustibles to sides	0"
Combustibles to back	0"

## 2.5 minimum mantel clearances

### ! WARNING

- When using paint or lacquer to finish the mantel, the paint or lacquer must be heat resistant to prevent discolouration.



**note:**

Although this appliance is safe to operate with a 0" mantel height, a 2" (51mm) gap between the appliance and the mantel is recommended in order to lift the appliance on/off the rear wall bracket hooks.

## 2.6 installing the appliance onto the wall (wall mount)

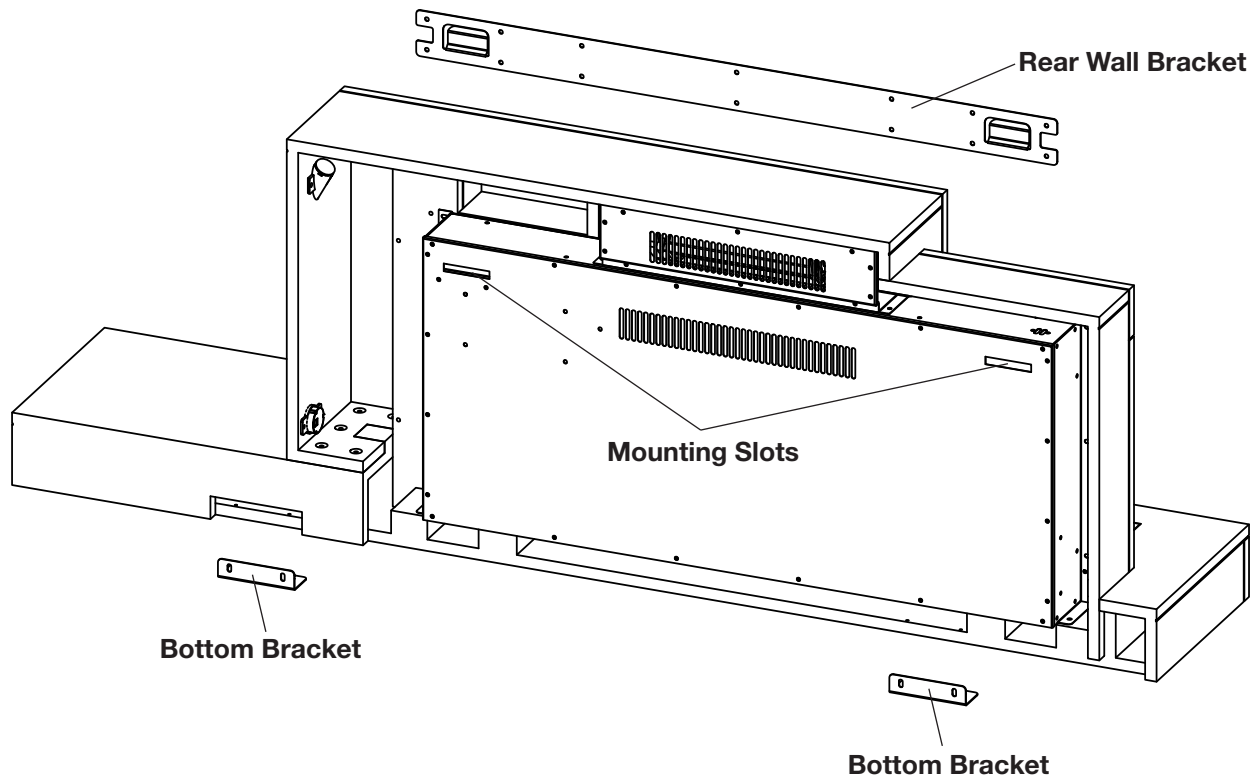
### **! WARNING**

- Consult your local builder before installing the appliance. Appliance must be installed in accordance with local building codes.
- Appliance must be installed in a location not prone to moisture.
- Appliance must be installed at least 36" (91.4cm) away from combustible materials such as curtain drapes, furniture, bedding, paper, etc.

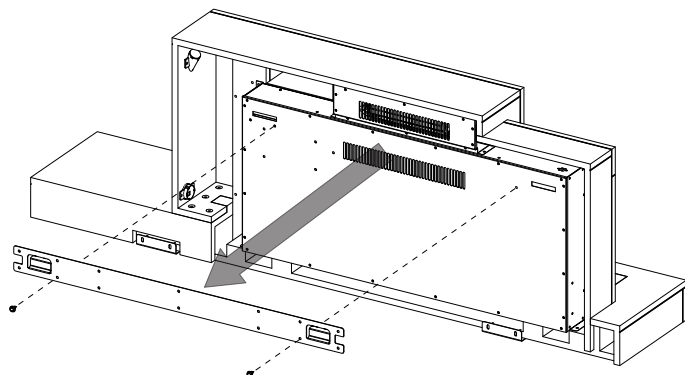
**note:**

We recommend having two people install this appliance.

### Appliance Overview



1. Have two people hold the appliance against the wall to determine the final location.
2. Place the appliance on a soft, non-abrasive, and flat surface. Remove the rear wall bracket from the back of the appliance by removing the 2 screws (**Fig. 1**).



**Fig. 1**

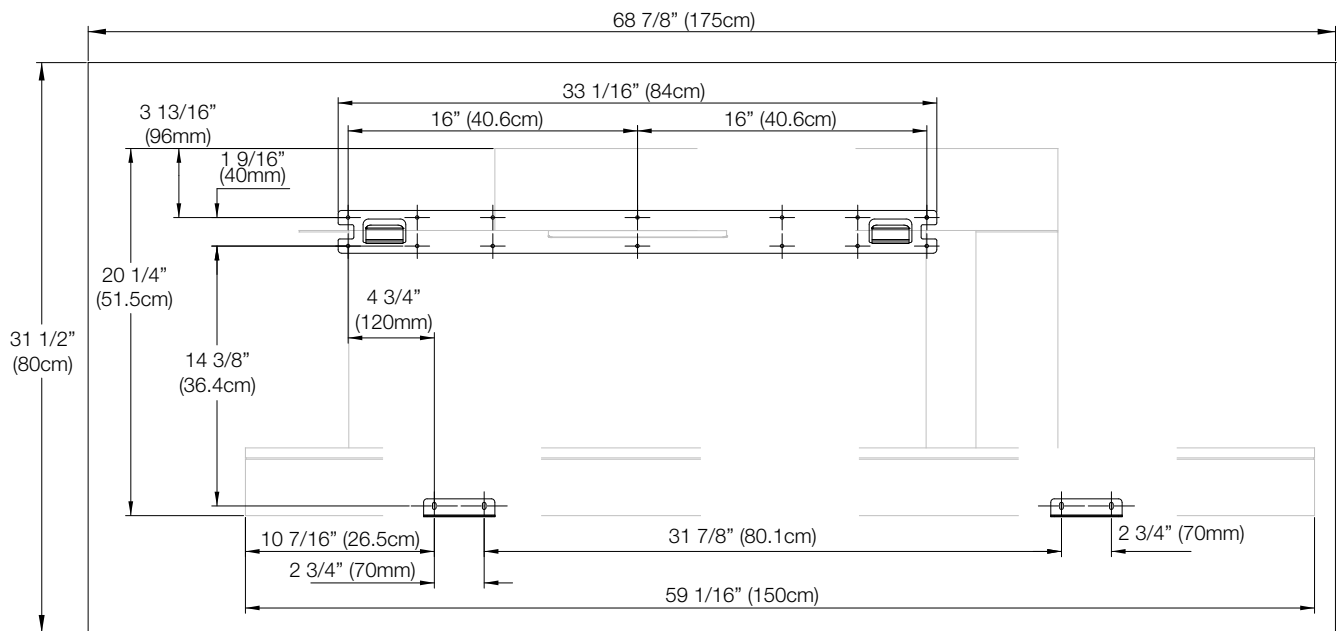



Fig. 2


- Using the wall mounting installation template (**Fig. 2**), mark out the locations of the rear wall bracket and bottom brackets on the wall.
- Install the rear wall bracket onto the wall using 14 screws (supplied).  **A x14**

**note:**

The rear wall bracket **MUST** have hooks facing upward and be level.

**note:**

It is strongly recommended that the rear wall bracket be screwed into the wall studs where possible. If the wall studs cannot be used, ensure that the plastic anchors (supplied) are used to affix the bracket to the wall and the bracket is adequately secured.

- Install the bottom brackets onto the wall using 4 screws (supplied).  **A x4**
- Lift the appliance up until the two mounting slots clear the hooks on the rear wall bracket. Slide appliance down until completely secured.
- Secure the appliance to the bottom brackets using 4 screws (supplied) (**Fig. 3**).

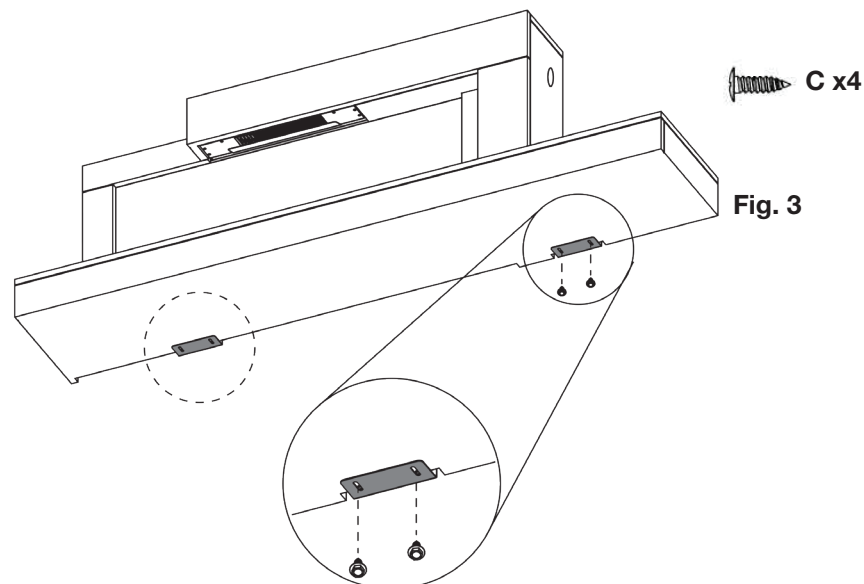
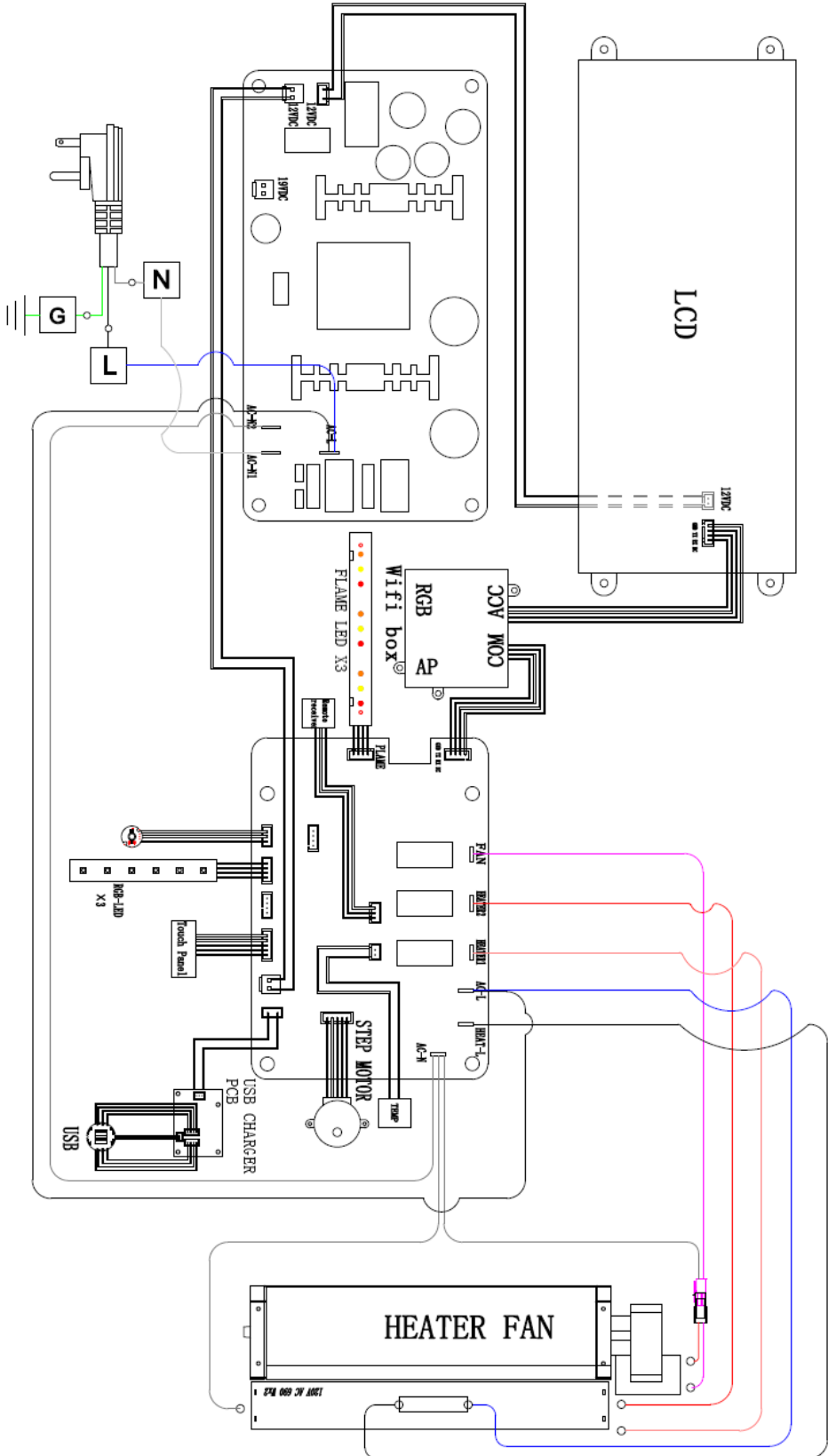


Fig. 3

3.1 wiring diagram

**! WARNING**

- Turn off the appliance completely and let cool before performing service. Only a qualified service person should service and repair this electric appliance.



## 3.2 hard-wiring installation

### WARNING

- Turn off the appliance completely and let cool before performing service. Only a qualified service person should service and repair this electric appliance.

#### HARD WIRING CONNECTION

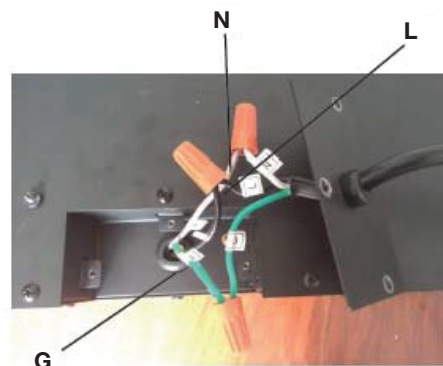
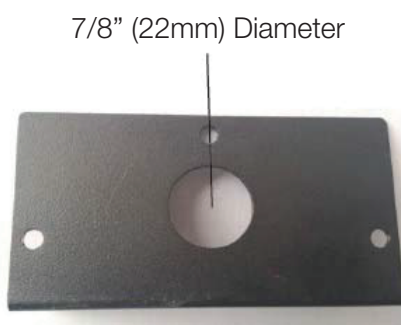
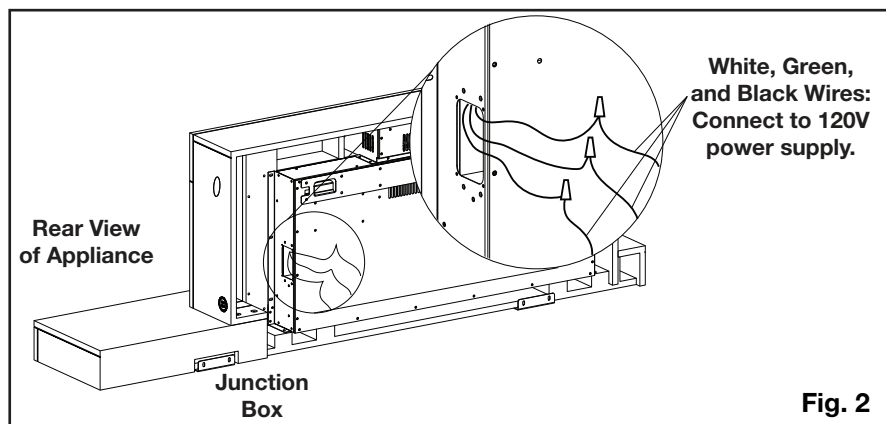
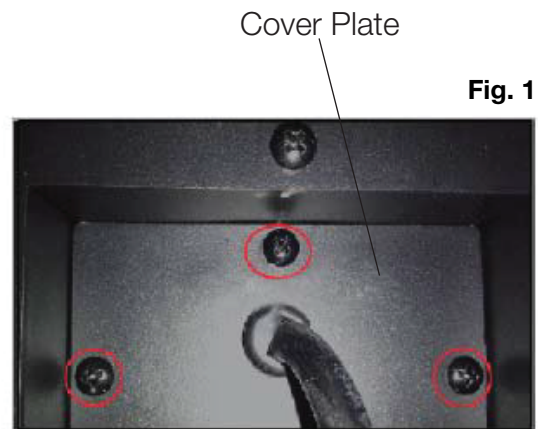
If it is necessary to hard wire this appliance, a qualified electrician must remove the cord connection, and wire the appliance directly to the household wiring. The wire and power supply breaker must be rated for 120V minimum 15 Amps.

This appliance must be electrically connected and grounded in accordance with local codes, if hard wired. In the absence of local codes, use the current CSA C22.1 CANADIAN ELECTRICAL CODE in Canada or the current ANSI/NFPA 70 NATIONAL ELECTRICAL CODE in the United States.

#### note:

There are 3 wires from the appliance junction: white (neutral), black (power L1), and green (ground) that connect to 120V power supply (breaker panel). See below.

- Remove the cover plate from the bottom right side of the appliance by removing the three screws (**Fig. 1**).
- Remove the wire connectors from the power cord (**Fig. 2**). The power cord may be discarded.
- Punch out the 7/8" (22mm) hole in the new cover plate (supplied) (**Fig. 3**), and install a box connector through it into the junction box. Snap the box connector clamp onto the supply wires.
- Using the wire connectors, connect the ground green wires (G) and the common white wires (N) together, then the hot black wires (L) (**Fig. 4**).
- Reinstall the cover plate using the three screws previously removed in Step A (**Fig. 1**).










## **WARNING**

- Ensure the house circuit breakers for the power supply are turned on. When initially connecting the appliance to a power source, the appliance will beep then remain off until turned on.

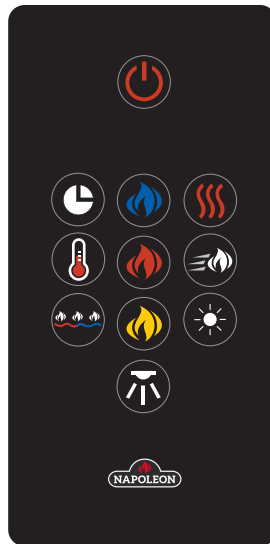
Once the appliance has been plugged into a grounded electrical outlet or hard wired to a dedicated 120V power supply, it is ready to operate.








### 4.1 operating control panel

The Control Panel is located on the right side of the appliance.





<b>Power</b>		Turns the appliance on/off.
<b>Side Accent Light Control</b>		Controls side accent light.  <b>Settings:</b> d8 - Cool white & warm white, both 100% brightness d7 - Cool white & warm white, both 75% brightness d6 - Cool white & warm white, both 50% brightness d5 - Cool white & warm white, both 25% brightness d4 - Warm white with 100% brightness d3 - Warm white with 50% brightness d2 - Cool white with 100% brightness d1 - Cool white with 50% brightness d0 - Side accent light off
<b>Flame Light Control</b>		Controls flame.  <b>8 Settings:</b> F0 - Flame off F1 - Orange flame F2 - Yellow flame F3 - Blue flame F4 - Yellow / orange flame F5 - Orange / blue flame F6 - Yellow / blue flame F7 - Yellow / orange / blue flame
<b>F° / C° Switch</b>		Changes temperature format from Fahrenheit to Celsius or vice versa. Press and hold the Flame button for 5 seconds.
<b>Heater Control</b>		Turns the heater and blower on/off.  <b>4 Settings:</b> H0 - Heater and blower off bL - Blower on H1 - Low heat H2 - High heat
<b>Heater Lock</b>		LO - Heater button can be locked or unlocked by holding the Heater button for 5 seconds.
<b>Wifi Setup</b> (See "Adding a Device" section)		Press and hold the side accent light button for 10 seconds.





<b>Power</b>		Turns the appliance on/off.
<b>Blue Flame</b>		Controls flame brightness. <b>Settings:</b>
<b>Orange Flame</b>		F4 - Brightest flame F3 - Bright flame F2 - Medium flame
<b>Yellow Flame</b>		F1 - Small flame F0 - Flame off
<b>Heater</b>		Turns the heater and blower on/off. <b>Settings:</b> H0 - Heater and blower off bL - Blower on H1 - Low heat H2 - High heat
<b>Flame Speed</b>		Controls the speed of the flame. <b>Settings:</b> 01 - slowest 02 03 04 05 - fastest
<b>Side Accent Light Control</b>		Controls the side accent light. <b>Settings:</b> d8 - Cool white & warm white, both 100% brightness d7 - Cool white & warm white, both 75% brightness d6 - Cool white & warm white, both 50% brightness d5 - Cool white & warm white, both 25% brightness d4 - Warm white with 100% brightness d3 - Warm white with 50% brightness d2 - Cool white with 100% brightness d1 - Cool white with 50% brightness d0 - Side accent light off



<p><b>Ember Bed Color</b></p>		<p>Controls ember bed light settings.</p> <p><b>Settings:</b>                      L0 - Ember bed light off                      L1 - White                      L2 - Blue                      L3 - Green                      L4 - Red                      L5 - Yellow                      L6 - Purple                      L7 - Auto-cycle through white, blue, green, red, yellow, and purple.  <b>(NOTE: It will take 8.5 seconds to switch between colours.)</b>                      L8 - Lock to desired color</p>
<p><b>Ember Bed Brightness</b></p>		<p>Controls the brightness of the ember bed light.</p> <p><b>Settings:</b>                      b5 - Gradual brightening effect from b1-b4                      b4 - Brightest                      b3 - Bright                      b2 - Medium                      b1 - Low</p>
<p><b>Timer</b></p>		<p>Controls the timer.</p> <p><b>Settings:</b>                      00                      30min.                      1h                      2h                      3h                      4h                      5h                      6h                      7h                      8h</p>
<p><b>Temperature Control</b></p>		<p>Controls the temperature.</p> <p><b>Settings:</b>                      18°C (64°F)                      21°C (70°F)                      24°C (75°F)                      27°C (81°F)                      and OFF</p>
<p><b>USB Charger</b></p>		<p><b>Phone Charging:</b> Red indicator</p> <p><b>Phone Charged:</b> Green indicator</p> <p><b>NOTE:</b> This is only a rough indication of your phone's charge. Check your phone for accurate charge status.</p> <p>See "features" section for more information on the USB charger.</p>

# operating instructions

## 4.3 remote battery installation

### WARNING

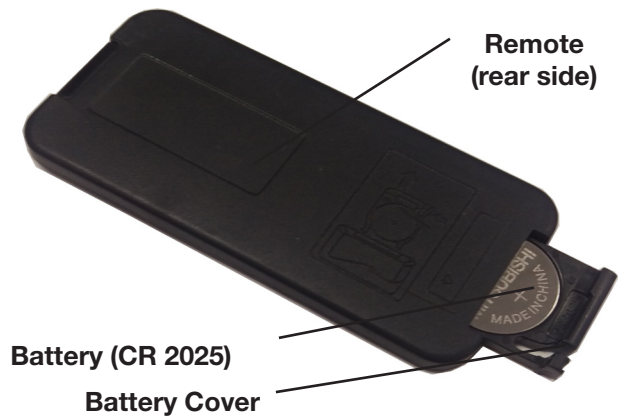
- This remote control requires button batteries that are hazardous to young children.
- WARNING - KEEP BATTERIES OUT OF REACH OF CHILDREN.
- Swallowing may lead to serious injury or death in as little as 2 hours due to chemical burns and potential perforation of the oesophagus.
- If you suspect your child has swallowed or inserted a button battery, immediately seek urgent medical assistance.
- Examine devices and make sure the battery compartment is correctly secured (i.e. that the screw or other mechanical fastener is tightened). Do not use if compartment is not secure.
- Dispose of used button batteries immediately and safely. Flat batteries can still be dangerous.
- Tell others about the risks associated with button batteries and how to keep their children safe.



#### note:

The remote control has a removable plastic tab to prolong the battery life while shipping. Remove the tab for the remote control to function.

1. To replace the existing battery, remove the battery holder.
2. To remove the battery holder, turn remote onto front side and press the left side lever towards the center while pulling the battery holder out using the slot provided.
3. Replace existing battery, type CR 2025, with a new battery and reinstall the battery holder into the remote by sliding it into position, as shown.
4. Battery cover is secure onto the remote control when a "CLICKING" noise is heard.



#### note:

The remote control must remain within 5 meters (17 feet) of the appliance to be effective. This range may be reduced when battery power is depleted. The remote control must be aimed at the center of the appliance for it to function most effectively.



Batteries must be disposed of according to the local laws and regulations. Some batteries may be recycled, and may be accepted for disposal at your local recycling center. Check with your municipality for recycling instructions.

**! WARNING**

- Power supply service must be completed prior to finishing in order to avoid reconstruction.
- Heat vents and air openings cannot be covered under any circumstances.

**5.1 crystal ember installation**

1. Carefully place the medium crystal embers into the bottom media tray (**Fig. 1**).
2. Apply an even layer from side to side.
3. Randomly place the 6 large crystal embers on top of the medium crystal embers (**Fig. 2**).



Fig. 1



Fig. 2

**5.2 optional birch wood log installation**

1. Carefully place birch wood logs on the media tray (**Fig. 1**).
2. Use the medium and large crystal embers (see "crystal ember installation" section) to fill in spaces between the birch wood logs (**Fig. 2**). This will improve the overall look of the appliance.

Ref.	Log Number	Quantity
A	W135-0768	2
B	W135-0770	2
C	W135-0769	1



Fig. 1 (Recommended placement)

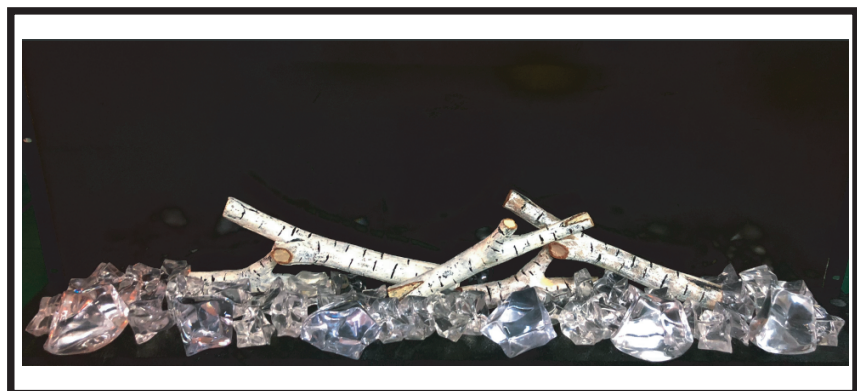


Fig. 2

# NAPOLEON HOME APP



## HOW DOES IT WORK?

Access your appliance remotely by downloading the **Napoleon Home App** from your app store.

In order to access the app, you will be required to create an account by following the instructions listed within the app (see below for details).

By pairing your appliance to the **Napoleon Home App** via WiFi, you gain control to all modes and functions of the appliance.

All notifications and alarms are sent through the app to keep you connected with ease.



Scan this QR code for direct access to the **Napoleon Home App** website.

## LET'S GET STARTED

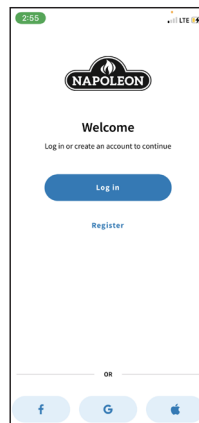
### 1 DOWNLOAD



Download the **Napoleon Home App** from your app store (Google Play or Apple App Store).

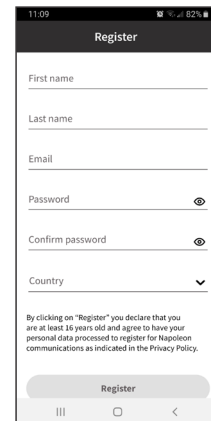
**Note:** This requires Android 7.0 or iOS 11.0.

### 2 REGISTER



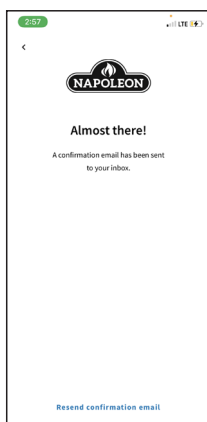
Register an account with the **Napoleon Home App** OR sign-in using your Facebook, Google, or Apple account information.

### 3 CREATE



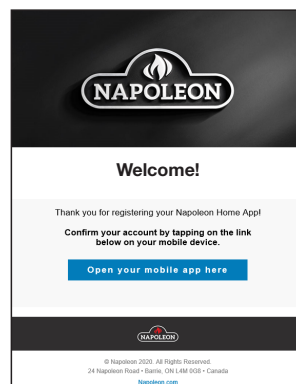
Enter user information and create a password for the account. Select the country in which the appliance is located.

### 4 ALMOST THERE



The information entered in Step 3 will be registered to the **Napoleon Home App** and a confirmation will be sent to the email provided.

### 5 CONFIRM



Open email inbox and select the confirmation link.

**Note:** The confirmation link must be opened on the device that the **Napoleon Home App** is installed on.

### 6 RE-CONFIRM



If no email is found, click "Re-Send Confirmation Link" and check junk folder.

## 6.1 adding a device

1. Ensure the appliance is plugged in and turned on (**Fig. 1**).
2. Press and hold the Side Accent Light Control button on the appliance control panel for 10 seconds (**Fig. 2**).

**note:**

The appliance will flash the green ember bed colour.

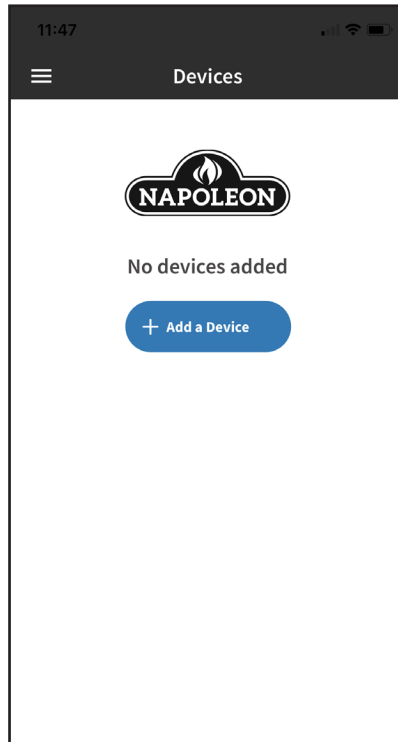


**Fig. 1**

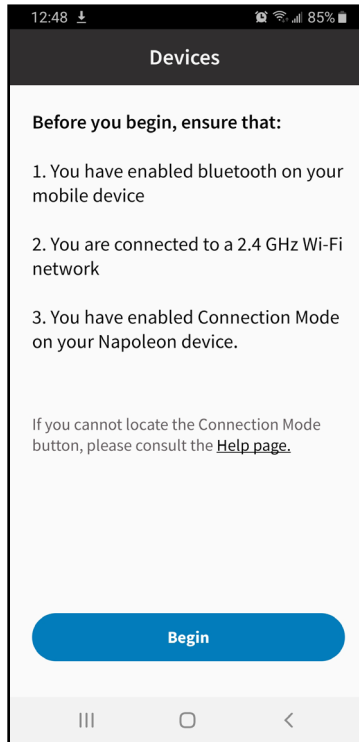


**Fig. 2**

3. Select "Add Device" and accept permissions (**Fig. 3 & 4**).

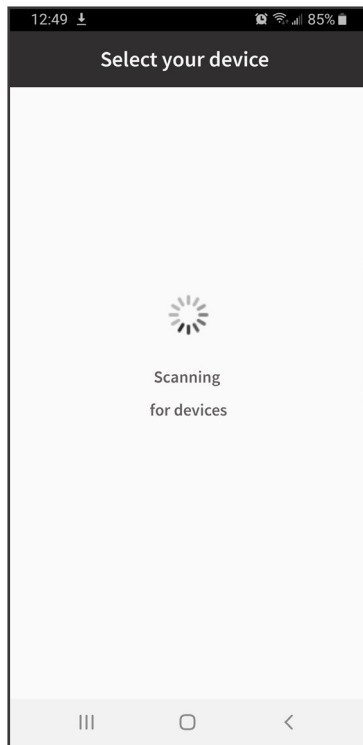


**Fig. 3**



**Fig. 4**

4. Search for devices and select the device from the list (**Fig. 5 & 6**).



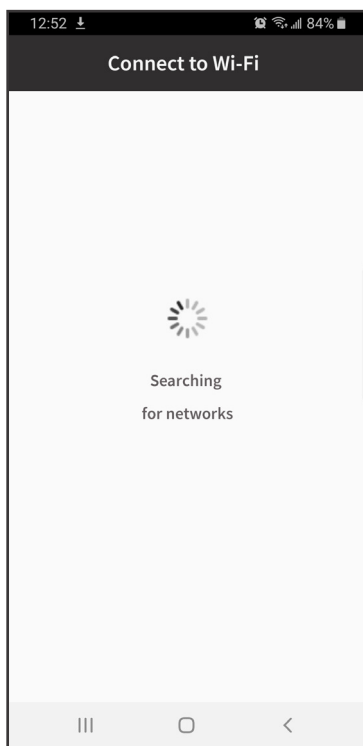
**Fig. 5**



**Fig. 6**

5. Select desired wifi and connect by entering the wifi password of your home (**Fig. 7 & 8**).

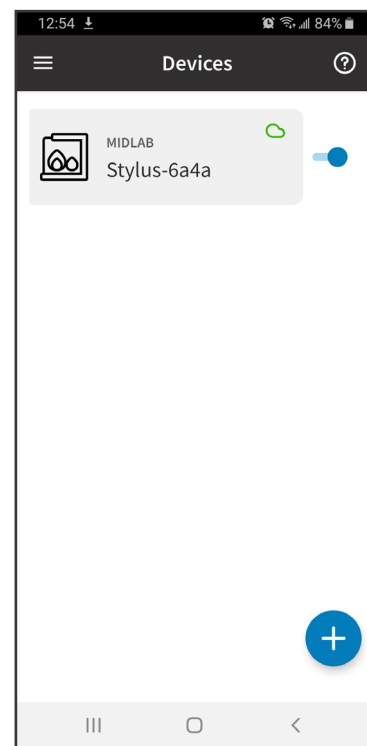
6. Once the appliance has been connected to the access point, it can be given a nickname in order to be more recognizable (**Fig. 9**).



**Fig. 7**



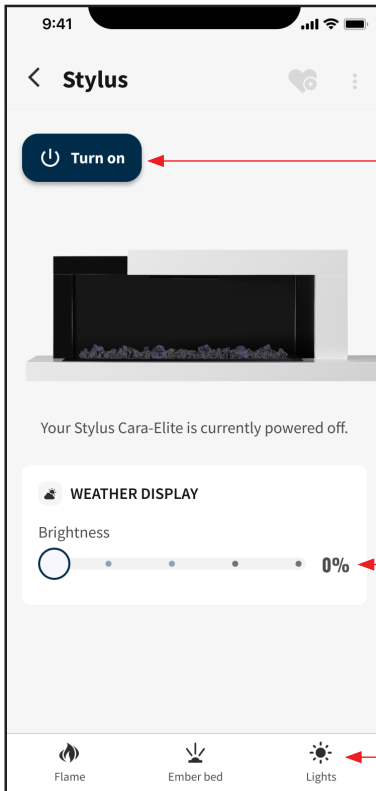
**Fig. 8**



**Fig. 9**

## 6.2 using the app

### 6.2.1 power setting



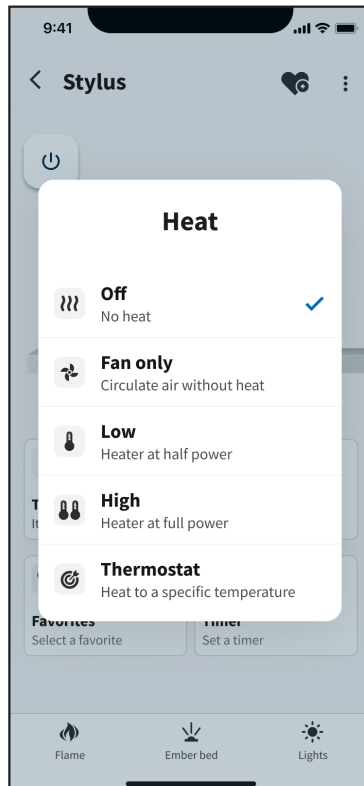
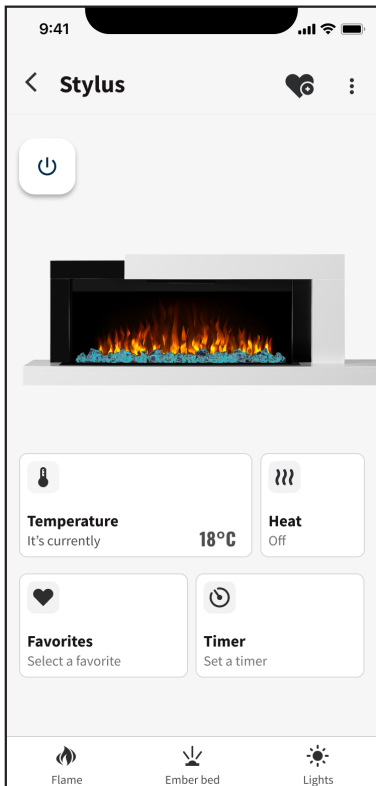
#### Power Setting:

Press to turn the appliance On and Off.

The weather display brightness settings are accessible on this home page only when the appliance is turned off.

When the unit is turned on, navigate to the "Lights" bottom tab to change weather display settings.

### 6.2.2 heat setting

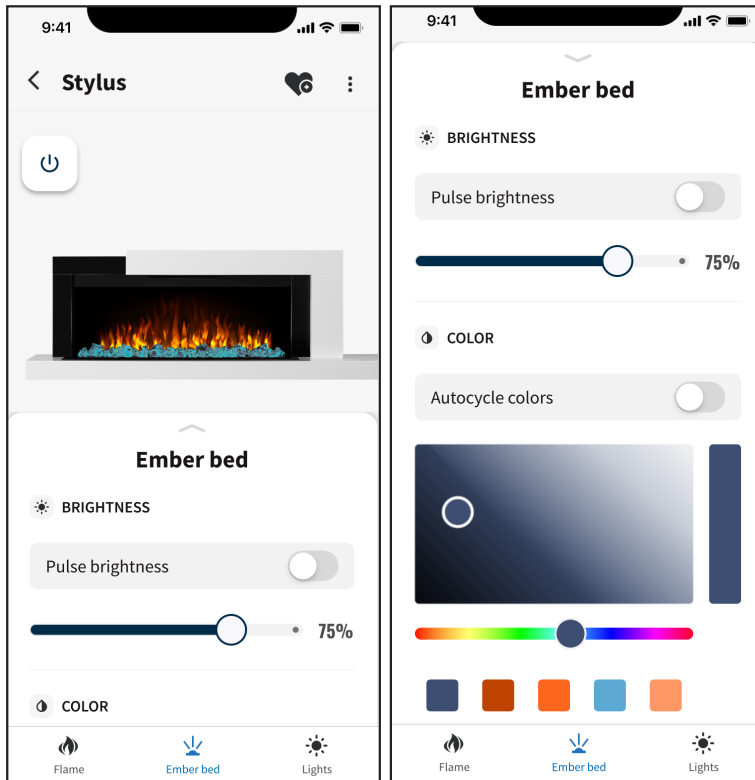


#### Heat Setting:

The heat setting can be selected through the heat tab on the appliance home page. The current ambient temperature is displayed on the temperature tab and updated to reflect the target temperature when thermostat mode is selected.

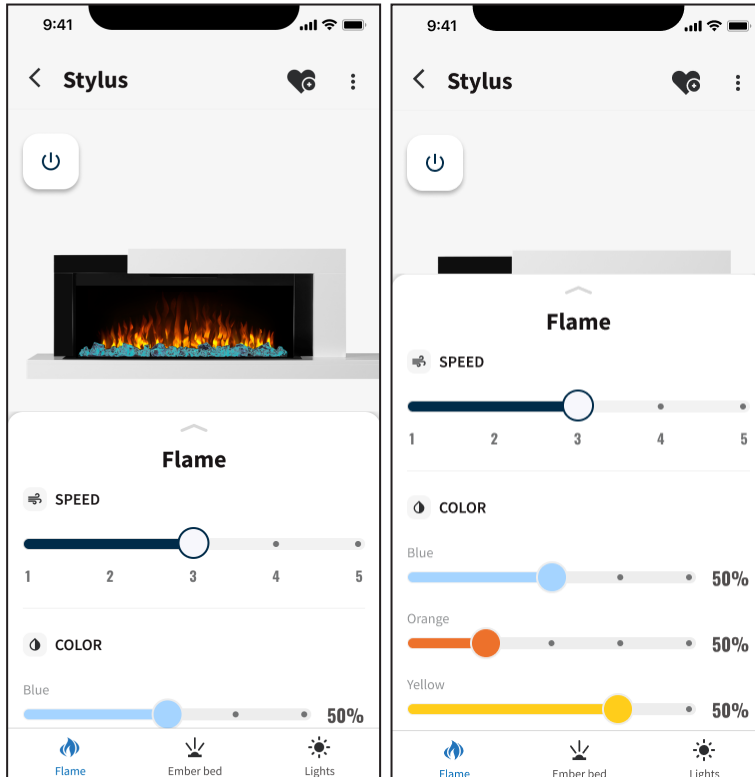
<b>Off</b>	No heat
<b>Fan Only</b>	Turns on only the fan to circulate air without heat
<b>Low</b>	Selects the Low Heater output (750W)
<b>High</b>	Selects the High Heater output (1500W)
<b>Thermostat</b>	Automatically turns the heater ON and OFF to regulate the room temperature to the desired set temperature

## 6.2.3 ember bed setting

**Ember Bed Setting:**

Select the preferred ember bed colours and brightness settings from the list in the ember bed tab or toggle the autocycle or pulse brightness function on to cycle through all available colours.

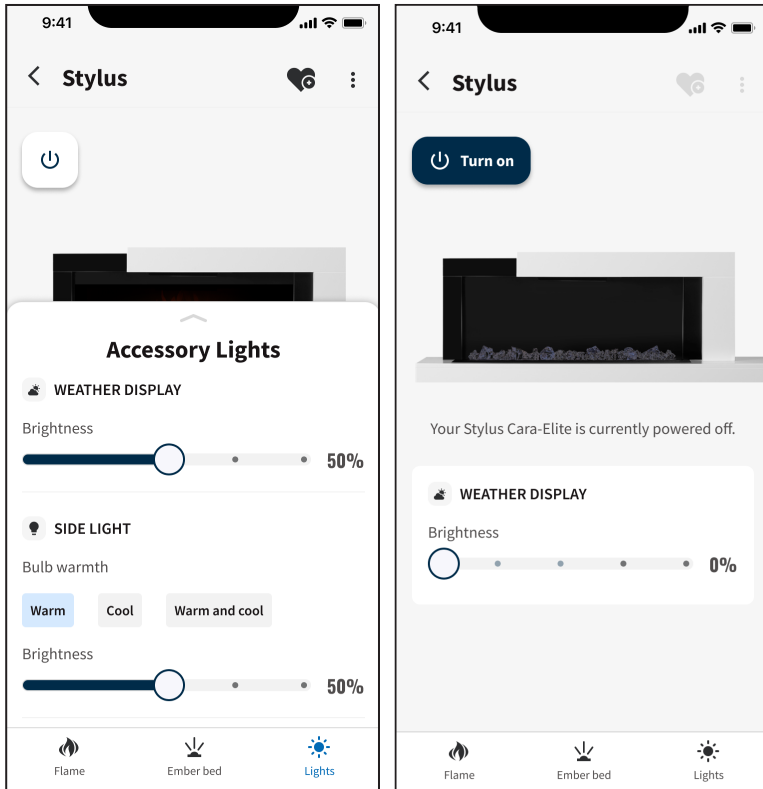
## 6.2.4 flame setting

**Flame Setting:**

Control the display of the different flame colours by adjusting the slider for each flame colour. The flame speed can also be adjusted on this page.



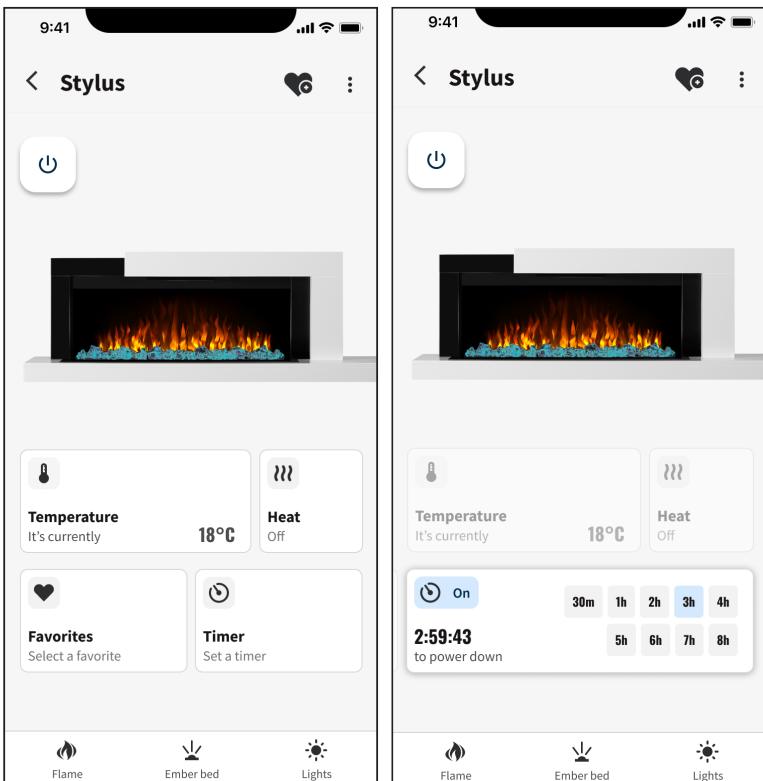
### 6.2.6 accessory lights setting



#### Accessory Lights Setting:

The weather display brightness can be controlled in the app either on the home page when the appliance is turned off or the lights bottom tab. The side light is also controlled from the lights tab. Bulb warmth selection and brightness can be modified in this section.

### 6.2.5 timer settings



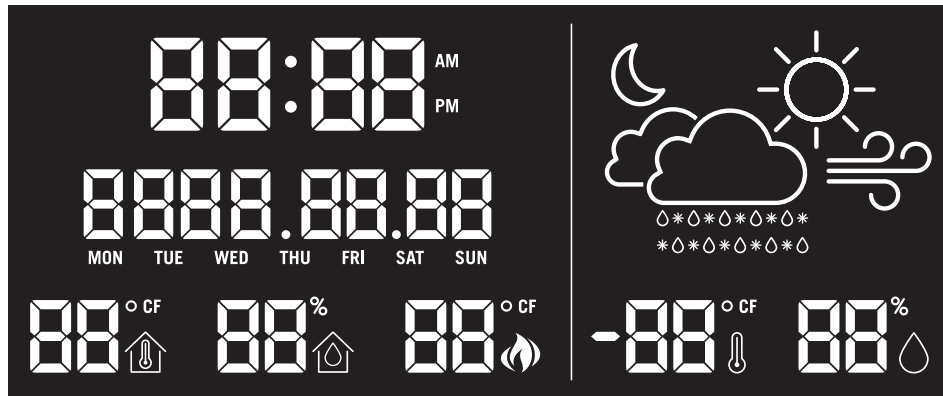
#### Timer Settings:

The timer feature can be accessed on the main page. Select from the list of preset times to set a timer that will power off the appliance once the countdown is complete.

# Napoleon Connectivity

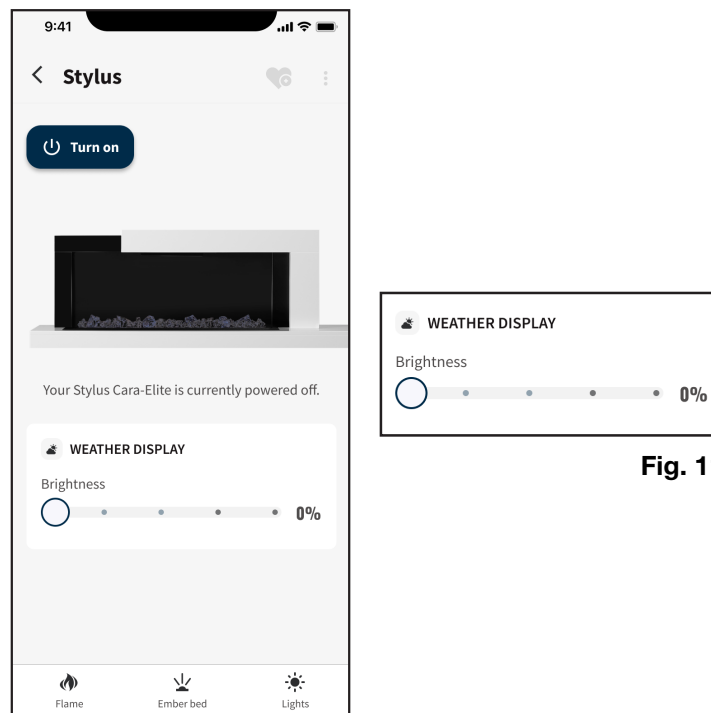
## 6.3 weather display information

1. The weather display will become active once the wifi has been set up. It is located in the top left-hand corner of the appliance's front glass (**Fig. 10**).



**Fig. 10**

2. The display brightness can be changed in the app in the POWER page by sliding the weather display brightness bar. The display has 5 settings: 0-5 (0 is OFF, 5 is max) (**Fig. 11**).



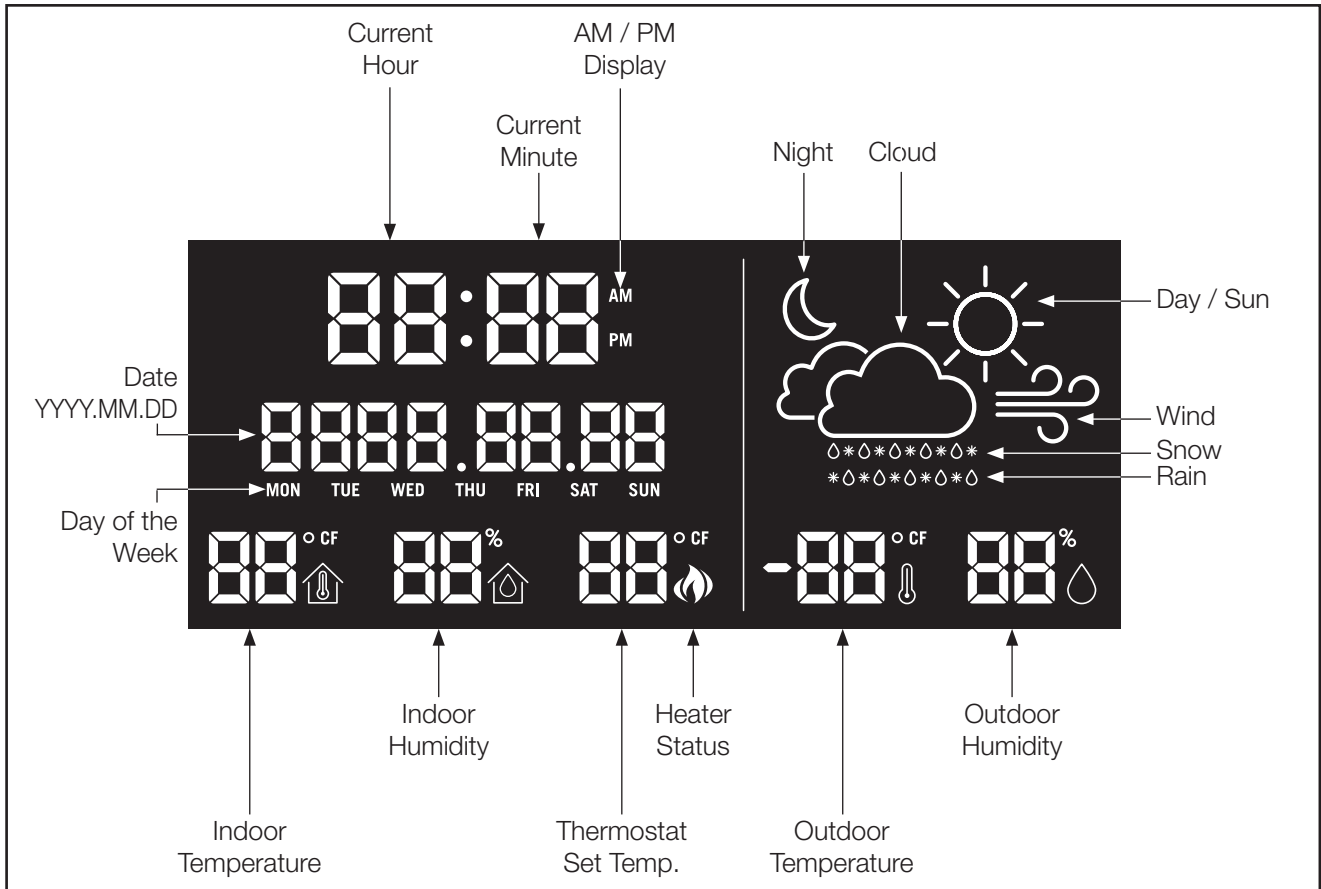
**Fig. 11**

3. The information for the display will be pulled from the internet based on the location settings of the internet provider. The weather information is pulled from local weather stations, and the indoor temperature and humidity is pulled from sensors inside the appliance (**Fig. 12**).



**Fig. 12**

### 6.4 weather display layout



### 6.5 Napoleon Connectivity important information

1. Napoleon Connectivity requires 2.4GHz Wi-fi.
2. The decoration light button on the control panel is also an indication light used to indicate when the fireplace Wi-fi communication is enabled. If the button is not illuminated, the Wi-fi connection has been disconnected or disabled and needs to be reconnected.
3. The fireplace incorporates an additional safety feature which will disable the Wi-Fi communication to the fireplace if the fireplace senses that the ambient room temperature is 30°C or above. This is to help prevent any possible risks of over-heating the fireplace and/or other devices in the room. To re-enable the Wi-fi communications, wait until the room temperature has cooled below 30°C, unplug the fireplace for 5 seconds, then plug it back in. The Wi-fi connection will reconnect within a few seconds.

## 7.0 replacement parts

### **WARNING**

- Failure to position the parts in accordance with this manual or failure to use only parts specifically approved with this appliance may result in property damage or personal injury.

Contact your dealer for questions concerning prices and policies on replacement parts. Normally, all parts can be ordered through your Authorized dealer / distributor.

**For warranty replacement parts, a photocopy of the original invoice will be required to honour the claim.**

When ordering replacement parts always give the following information:

- Model & Serial Number of appliance
- Installation date of appliance
- Part number
- Description of part
- Finish

**Parts, part numbers, and availability are subject to change without notice.**

**Parts identified as stocked will be delivered within 2 to 5 business days for most delivery destinations.**

**Parts not identified as stocked will be delivered within a 2 to 4 week period, for most cases.**

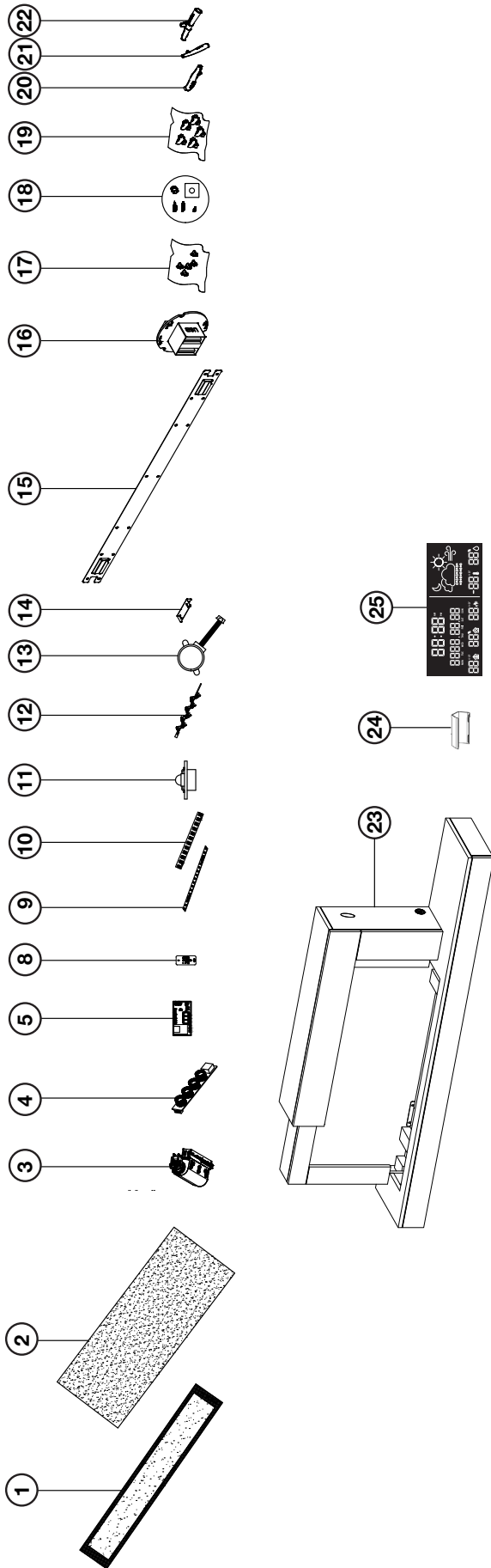
**Parts identified as 'SO' are special order and can take up to 90 days for delivery.**

For after sales service, please call 1-866-820-8686.

#### **note:**

Care must be taken when removing and disposing of any broken glass or damaged components. Be sure to vacuum up any broken glass from inside the appliance before operation.

7.1 overview



Items may not appear exactly as illustrated.

Ref. No.	Part No.	Description	Stocked	Ref. No.	Part No.	Description	Stocked
1	W300-0291-SER	Black frosted base, glass		15	W080-1917-SER	Bracket, rear wall	
2	W300-0350	Projection glass		16	W190-0238	Fast-charge USB port	
3	W010-4397-SER	Heater and blower assembly	Yes	17	W497-0054-SER	Crystals, medium	
4	W190-0143-SER	Touch-on control panel		18	W370-0150-SER	Hardware kit	
5	W190-0204	Control, main PCB		19	W497-0055-SER	Crystals, large	Yes
6 *	W190-0205	Control, power PCB		20	W135-0768-SER	Log A (x2)	Yes
7 *	W690-0021	Thermostat	Yes	21	W135-0770-SER	Log B (x2)	Yes
8	W190-0136-SER	Remote control	Yes	22	W135-0769-SER	Log C (x1)	Yes
9	W405-0069-SER	Ember LED light		23	NEFS32-5019W	Wood surround (NEFP32-5019W)	
10	W405-0068-SER	Flame LED light		24	W200-0572-SER	Cord cover	Yes
11	W405-0075-SER	Side accent LED light		25	W190-0207	Weather display	
12	W527-0032-SER	Reflector spindle		26 *	W190-0236	Fast-charging power board	
13	W435-0090-SER	Step motor		27 *	W190-0237	Remote receiver	
14	W080-1916-SER	Bracket, bottom rear wall		28 *	W010-5112	WiFi IOT module	

\* Parts not illustrated.

## 8.0 troubleshooting

### WARNING

- Turn off the appliance completely and let cool before servicing. Only a qualified service person should service and repair this electric appliance.

symptom	problem	solution
Appliance will not come on when power button/switch is put into the "on" position.	Appliance is not plugged into an electrical outlet.	Check plug, and plug in the appliance if necessary.
	Hard-wire connections are not correct (if applicable).	See "hard-wiring installation" section.
	Appliance has overheated and safety thermal switch has tripped.	Unplug power or turn off the circuit breaker, allow appliance to cool for 15 minutes, then plug in the appliance or turn the breaker on.
	Main PCB board issue.	Inspect the circuit board and replace, if necessary.
Appliance turns off and will not turn on.	House circuit breaker has tripped.	Reset house circuit breaker.
	Appliance's fuse has blown.	Replace the fuse.
	Appliance has overheated and safety thermal switch has tripped.	Unplug power or turn off the circuit breaker, allow appliance to cool for 15 minutes to reset the thermal switch, then plug in the appliance or turn the breaker on.
Appliance has returned to default settings.	Power failure.	Re-program appliance to original settings (not applicable with all appliances).
Remote control does not work.	Low/dead batteries.	Replace batteries in remote control.
	Remote receiver malfunction.	Ensure remote receiver is not blocked. Replace control panel.
No warm air coming out of the appliance.	Heater setting not selected.	See "operation" section.
	Heater has been locked out.	See "operation" section.
	Room temperature is higher than appliance setting (if set to room temperature).	Reset temperature setting.
	Appliance has overheated and safety thermal switch has tripped.	Unplug power or turn off the circuit breaker. Allow for appliance to cool for 15 minutes.
	Hard-wire connections are not correct (if applicable).	See "hard-wiring installation" section.
	Heater issue.	Inspect the blower and heater and replace, if necessary.
Heater shuts off automatically.	Room is too warm.	The heater has a built-in thermostat so it will shut off automatically once the pre-set temperature is reached. It will also turn on automatically if the room temperature drops below the pre-set temperature.
Dim or no flame.	Flame brightness not selected.	See "operation" section.
	Flame LEDs issue.	Inspect the LED and replace, if necessary.
	Main PCB board issue.	Inspect the main PCB board and replace, if necessary.
Flame does not move.	Motor is stalled/malfunctioning.	Cycle on/off. If problem persists, consult dealer.

Ember bed is not glowing or dimming.	Brightness not selected.	See "operation" section.
	Ember LED issue.	Inspect the ember bed LEDs and replace, if necessary.
	Main PCB board issue.	Inspect the main PCB board and replace, if necessary.
LED flashing "OH".	Appliance has overheated and safety thermal switch has tripped.	The buzzer emits a warning sound BI one time, the nixie tube flashes "OH," all functions and buttons are invalid, and all buttons are off. If the button is pressed, an alarm is issued. Unplug power or turn off the circuit breaker. Allow appliance to cool for 15 minutes, then plug in the appliance or turn the breaker on. If problem persists, consults your dealer.
	Appliance detected power surge/short power outage has occurred.	

## 9.0 warranty

**Napoleon** electric appliances are manufactured under the strict Standard of the world recognized ISO 9001 : 2015 Quality Management System.

**Napoleon** products are designed with superior components and materials and assembled by trained craftsmen who take great pride in their work. Once assembled, the complete appliance is thoroughly inspected by a qualified and authorized installer, service agency, or supplier before packing to ensure that you, the customer, receive the quality product that you expect from **Napoleon**.

### Napoleon Electric Appliance Premium Warranty

Electrical components and wearable parts are covered and **Napoleon** will provide replacement parts free of charge during the first 2 years of premium warranty. This covers: fan/heaters, motors, switches, nylon bearing components, remote controls, and LED lights.\*

Light bulbs and fuses are **NOT** covered by the warranty.

In the first year only, any labour related to warranty repair is covered.

\* Construction of models vary. Warranty applies only to components included with your specific appliance.

### Conditions and Limitations

**Napoleon** warrants its products against manufacturing defects to the original purchaser only. Registering your warranty is not necessary. Simply provide your proof of purchase along with the model and serial number to make a warranty claim. Provided that the purchase was made through an authorized **Napoleon** dealer, your appliance is subject to the following conditions and limitations:

Warranty coverage begins on the date of original installation.

This factory warranty is non-transferable and may not be extended whatsoever by any of our representatives.

Installation must be done in accordance with the installation instructions included with the product and all local and national building and fire codes.

This premium warranty does not cover damages caused by misuse, lack of maintenance, accident, alterations, abuse, or neglect and parts installed from other manufacturers will nullify this warranty.

This premium warranty further does not cover any scratches, dents, corrosion, or discolouring caused by excessive heat, abrasive and chemical cleaners, nor chipping on porcelain enamel parts, mechanical breakage of PHAZER™ logs.

In the first 2 years only, this warranty extends to the repair or replacement of warranted parts which are defective in material or workmanship, provided that the product has been operated in accordance with the operation instructions and under normal conditions.

After the first year, **Napoleon** will not be responsible for installation, labour, or any other expenses related to the reinstallation of a warranted part, and such expenses are not covered by this warranty. Notwithstanding any provisions contained in the Premium Warranty, **Napoleon** responsibility under this warranty is defined as above, and it shall not in any event extend to any incidental, consequential, or indirect damages.

This warranty defines the obligations and liability of **Napoleon** with respect to the **Napoleon** electric appliance and any other warranties expressed or implied with respect to this product; its components or accessories are excluded.

**Napoleon** neither assumes, nor authorizes any third party to assume, on its behalf, any other liabilities with respect to the sale of this product.

Any damages to appliance, brass trim or other component due to water, weather damage, long periods of dampness, condensation, damaging chemicals, or cleaners will not be the responsibility of **Napoleon**.

**Napoleon** reserves the right to have its representative inspect any product or part thereof prior to honouring any warranty claim.

All parts replaced under the Premium Warranty Policy are subject to a single claim.

All parts replaced under the warranty will be covered for a period of 90 days from the date of their installation.

The manufacturer may require that defective parts or products be returned or that digital pictures be provided to support the claim. Returned products are to be shipped prepaid to the manufacturer for investigation. If a product is found to be defective, the manufacturer will repair or replace such defect.

Before shipping your appliance or defective components, your dealer must obtain an authorization number. Any merchandise shipped without authorization will be refused and returned to sender.

Shipping costs are not covered under this warranty.

Additional service fees may apply if you are seeking warranty service from a dealer.

All specifications and designed are subject to change without prior notice due to on-going product improvements. **Napoleon** is a registered trademark of Wolf Steel Ltd.



Lined writing area consisting of multiple horizontal lines.

# NAPOLEON CELEBRATING OVER 40 YEARS OF HOME COMFORT PRODUCTS



7200, Route Transcanadienne, Montréal, Québec H4T 1A3  
24 Napoleon Road, Barrie, Ontario, Canada L4M 0G8  
214 Bayview Drive, Barrie, Ontario, Canada L4N 4Y8  
103 Miller Drive, Crittenden, Kentucky, USA 41030  
De Riemsdijk 22, 4004 LC Tiel, The Netherlands

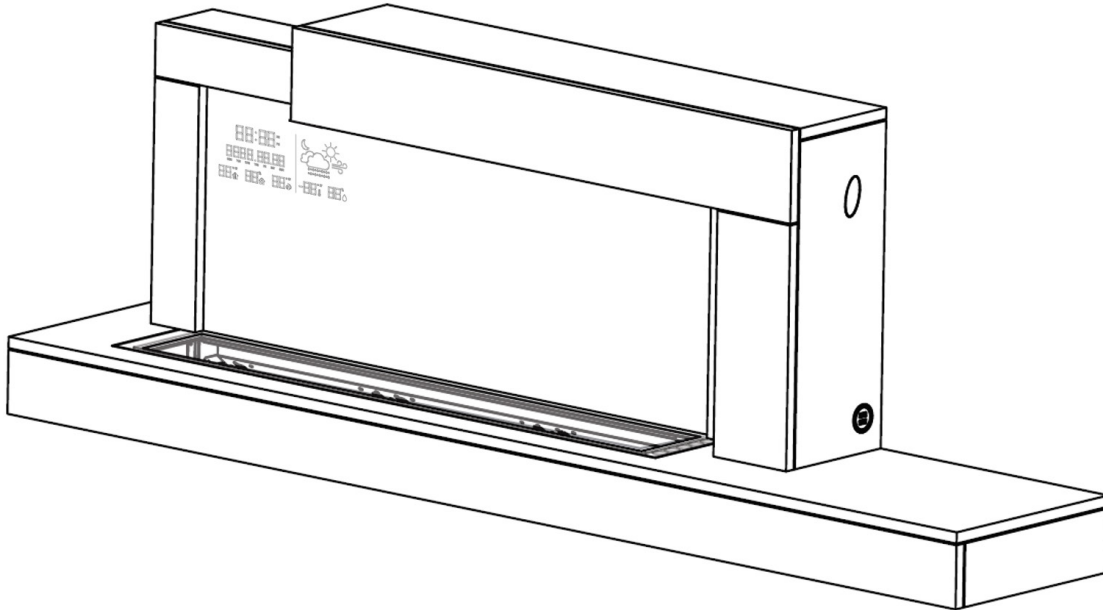
Phone: 1-866-820-8686  
[napoleon.com](http://napoleon.com)



# MANUEL D'INSTALLATION ET D'OPÉRATION

## Appareil Électrique Mural Cara Élite

NEFLC32H-IOT illustré avec NEFS32-5019W



### CONSIGNES DE SÉCURITÉ

#### **AVERTISSEMENT**

#### **RISQUE D'INCENDIE OU D'EXPLOSION**

Si ces instructions ne sont pas suivies à la lettre, un incendie pourrait s'ensuivre causant des dommages matériels, des blessures corporelles ou des pertes de vie.

- N'entreposez pas et n'utilisez pas d'essence ou autres liquides et vapeurs inflammables à proximité de cet appareil ou tout autre appareil.

#### **INSTALLATEUR:**

Laissez ce manuel avec l'appareil

#### **PROPRIÉTAIRE:**

Conservez ce manuel pour consultation ultérieure.



Cet appareil dispose d'une télécommande qui nécessite des piles à bouton qui sont dangereuses pour les jeunes enfants.

### **POUR L'UTILISATION INTÉRIEUR SEULEMENT**

CERTIFIÉ SELON LES NORMES NATIONALES CANADIENNES ET AMÉRICAINES:  
CSA 22.2 NO. 46 / UL 2021



Wolf Steel Ltd., 24 Napoleon Rd., Barrie, ON, L4M 0G8 Canada / 103 Miller Drive, Crittenden, Kentucky, USA, 41030  
Téléphone 1 (866) 826 8686 • www.napoleon.com • hearth@napoleon.com

## AVERTISSEMENT

- **Si équipé avec un chauffage, cet appareil peut être chaud lorsqu'il fonctionne et peut causer de graves brûlures en cas de contact.**
- Ne faites pas fonctionner l'appareil avant d'avoir lu et compris les instructions d'utilisation. L'incapacité de respecter les instructions pourrait causer un incendie ou des blessures corporelles.
- N'installez pas de composants endommagés ou incomplets, ni des composants de substitution.
- Ne brûlez pas de bois ou autres matériaux dans cet appareil.
- Tous les appareils électriques contiennent des composants internes qui deviennent chauds et qui produisent des étincelles. N'utilisez pas cet appareil dans des endroits où de l'essence, des peintures ou d'autres liquides inflammables sont présents.
- Les grillages de sécurités ou écrans enlevés pour faire l'entretien devront être remis en place avant d'utiliser l'appareil.
- Il est primordial de garder propres les compartiments de contrôle, les brûleurs, la soufflerie, les bouches d'air de l'appareil ainsi que le système d'évacuation. L'appareil et son système d'évacuation doivent être inspectés avant la première utilisation et au moins une fois l'an par un spécialiste en entretien. Un entretien plus fréquent pourrait être nécessaire en raison des peluches provenant des tapis, literie, etc. L'emplacement de l'appareil doit être gardé libre de tous matériaux combustibles, essence ou autres liquides et vapeurs inflammables.
- Cet appareil ne devra être modifié en aucun cas.
- N'utilisez pas cet appareil si une partie quelconque a été submergée. Contactez immédiatement un technicien de service qualifié pour inspecter l'appareil et pour remplacer toute pièce du système de contrôle qui aurait été submergée.
- Si équipé avec une porte vitrée, n'opérer pas l'appareil lorsque la porte vitrée est enlevée, fissurée ou brisée. Le remplacement de la vitre devra être effectué par un technicien de service certifié ou qualifié.
- Si équipé avec un porte vitrée, ne frappez pas et ne claquez pas la porte vitrée de l'appareil.
- Les matériaux d'emballage doivent être gardés hors de la portée des enfants et mis au rebut de façon sécuritaire. Comme tous les emballages de plastique, ceux-ci ne sont pas des jouets et doivent demeurer hors de la portée des enfants et des bébés.
- L'entretien ne doit être effectué que lorsque l'appareil est débranché du circuit électrique.
- Débranchez toujours l'appareil lorsqu'il n'est pas utilisé.
- N'utilisez pas l'appareil si le cordon d'alimentation ou la fiche sont endommagés, s'il ne fonctionne pas bien, ou s'il a été échappé ou endommagé d'une quelconque façon. Retournez l'appareil à un centre de service autorisé pour une inspection, des ajustements électriques ou mécaniques ou une réparation.
- N'utilisez pas cet appareil à l'extérieur.
- Lorsque vous installez cet appareil dans une pièce où l'eau est présente, l'installation doit se conformer aux codes reconnaissant le risque accru de décharge électrique et d'électrocution.

**note:**

Cet appareil NE PEUT PAS être installé dans une salle de bain.


- Ne passez pas le cordon d'alimentation sous un tapis. Ne recouvrez pas le cordon avec des carpettes, des tapis de couloir ou autres revêtements similaires. Évitez de placer le cordon dans un endroit passant ou à un endroit où il risque de causer des chutes.
- Branchez seulement dans une prise de courant adéquatement mise à la terre.
- N'insérez pas d'objets dans les ouvertures d'entrée d'air ou de sortie d'air puisque cela risque d'endommager l'appareil ou causer des chocs électriques ou un incendie.
- Il est normal que votre appareil électrique produise du bruit, surtout s'il est installé dans un endroit calme comme un chambre à coucher.

 **AVERTISSEMENT**

- Pour prévenir les risques d'incendie, ne bloquez pas les entrées d'air et les sorties d'air de quelque manière que ce soit. Ne placez pas cet appareil sur une surface molle telle qu'un tapis où les ouvertures pourraient se bloquer.
- Toujours brancher l'appareil directement dans une prise murale. N'utilisez pas de cordons d'alimentation ou une robinet d'alimentation relogeables (alimentation/multiprise).
- Cet appareil a été testé et homologué pour usage avec les accessoires optionnels listés dans ce manuel uniquement. L'utilisation d'accessoires optionnels qui n'ont pas été spécifiquement testés pour cet appareil électrique annulera la garantie de l'appareil et/ou présentera des risques pour la sécurité.

**Pour les appareil équipé avec chauffage:**

- Risque de brûlures. L'appareil doit être éteint et refroidi avant d'effectuer l'entretien. Pour débrancher l'appareil, mettez d'abord les boutons de contrôle à « OFF » puis retirez la fiche de la prise de courant.
- Les jeunes enfants doivent être supervisés attentivement lorsqu'ils sont dans la même pièce que l'appareil recommandés s'il y a dans la maison des individus à risque. Les jeunes enfants et autres personnes sont sujets aux brûlures accidentelles. Une barrière de protection est recommandée s'il y a dans la maison des individus à risque. Afin de restreindre l'accès à l'appareil, installez une barrière de protection ajustable pour garder les jeunes enfants ou autres personnes à risque hors de la pièce et loin des surfaces chaudes.
- Les vêtements et autres matériaux combustibles ne doivent pas être posés sur l'appareil ou à proximité.
- En raison des températures élevées, l'appareil devrait être placé loin des endroits passants et loin des meubles et des rideaux.
- Assurez-vous de disposer de mesures de sécurité adéquates pour empêcher les jeunes enfants de toucher aux surfaces chaudes.
- Même lorsque l'appareil est éteint, la porte et l'écran demeureront chauds pendant un bon moment.
- Consultez votre détaillant local de foyer pour connaître les grillages de sécurité et les écrans offerts pour protéger les enfants des surfaces chaudes. Ces grillages de sécurité et ces écrans doivent être fixés au plancher.
- Assurez-vous de respecter les dégagements aux matériaux combustibles lorsque vous installez un manteau ou des tablettes au-dessus de l'appareil. Les téléviseurs et autres composants électroniques soumis à des températures élevées peuvent fondre, se déformer, se décolorer et entraîner des défaillances prématurées de ces appareils.
- La façade en bois (NEFS32-5019W) de cet appareil conforme au EPA TSCA Titre VI et C.A.R.B. Phase 2 Norme 93120.2 (a) en Matière d'Émanations de Formaldehyde.

 **WARNING: This product can expose you to chemicals including lead and lead compounds, which are known to the State of California to cause cancer, and chemicals including BBP and DEHP, which are known to the State of California to cause birth defects or other reproductive harm. For more information, go to [www.P65Warnings.ca.gov](http://www.P65Warnings.ca.gov).**

<b>1.0</b>	<b>informations générales</b>	<b>39</b>
1.1	vue d'ensemble de l'appareil	39
1.1.1	e-box & façade	39
1.1.2	caractéristiques	39
1.2	dimensions	40
1.3	homologations	40
1.4	instructions générales	41
1.5	déballage & vérification de l'appareil	41
1.6	information à propos de la plaque d'homologation	41
1.7	liste de pièces	42
<b>2.0</b>	<b>installation</b>	<b>42</b>
2.1	emplacement de l'appareil	43
2.2	emplacement d'étiquette	43
2.3	mise à la terre de l'appareil	44
2.4	dégagements minimaux aux matériaux combustibles	44
2.5	dégagements minimaux à la tablette	44
2.6	installation de l'appareil sur le mur (fixation murale)	45
<b>3.0</b>	<b>information électrique</b>	<b>47</b>
3.1	schéma de câblage	47
3.2	hard-wiring installation	48
<b>4.0</b>	<b>instructions de fonctionnement</b>	<b>49</b>
4.1	fonctionnement du panneau de commande	49
4.2	fonctionnement de la télécommande	50
4.3	installation de pile de la télécommande	52
<b>5.0</b>	<b>finitions</b>	<b>53</b>
5.1	installation de braise de cristal	53
5.2	installation des bûches de bouleau optionnelle	53
<b>6.0</b>	<b>Connectivité Napoléon</b>	<b>54</b>
6.1	ajouter un appareil	55
6.2	comment utiliser l'application	57
6.2.2	réglage de la chaleur	57
6.2.1	réglages d'alimentation	57
6.2.3	réglage du lit de braises	58
6.2.4	réglage de la flamme	58
6.2.6	réglage de la lumière accessoire	59
6.2.5	réglage de la minuterie	59
6.3	informations d'affichage météo	60
6.4	disposition de l'affichage météo	61
6.5	information important de Connectivité Napoléon	61
<b>7.0</b>	<b>pièces de rechange</b>	<b>62</b>
7.1	vue d'ensemble	63
<b>8.0</b>	<b>guide de dépannage</b>	<b>64</b>
<b>9.0</b>	<b>garantie</b>	<b>66</b>

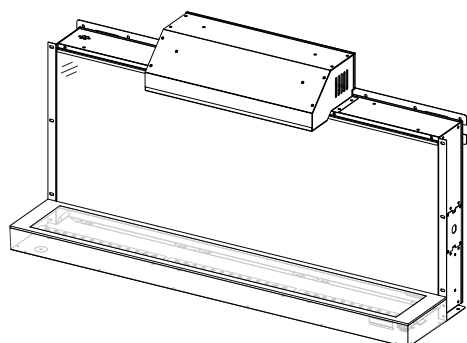
**note:**

L'information contenue dans ce manuel est jugée correcte au moment de l'impression. Wolf Steel Ltée. se réserve le droit de modifier toute information contenue dans ce manuel à tout moment sans préavis. Les modifications, autre que les éditoriaux, sont désignées par une ligne verticale dans la marge.

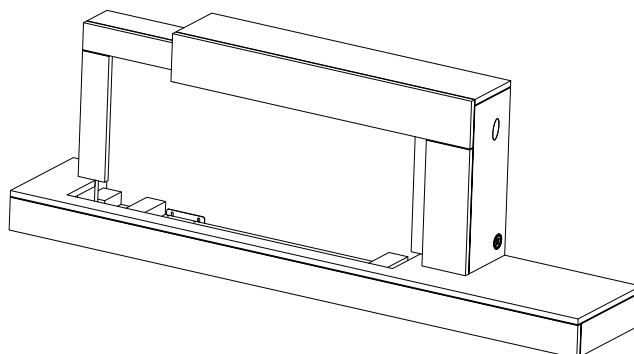
## 1.1 vue d'ensemble de l'appareil

### 1.1.1 e-box & façade

Votre appareil électrique NEFP32-5019W-IOT est entièrement assemblé à votre arrivée à l'exception des médias (voir la section « finitions » pour plus d'information). Il se compose des deux composants suivants:



**NEFLC32H-IOT**  
**E-Box**



**NEFS32-5019W**  
**Façade**

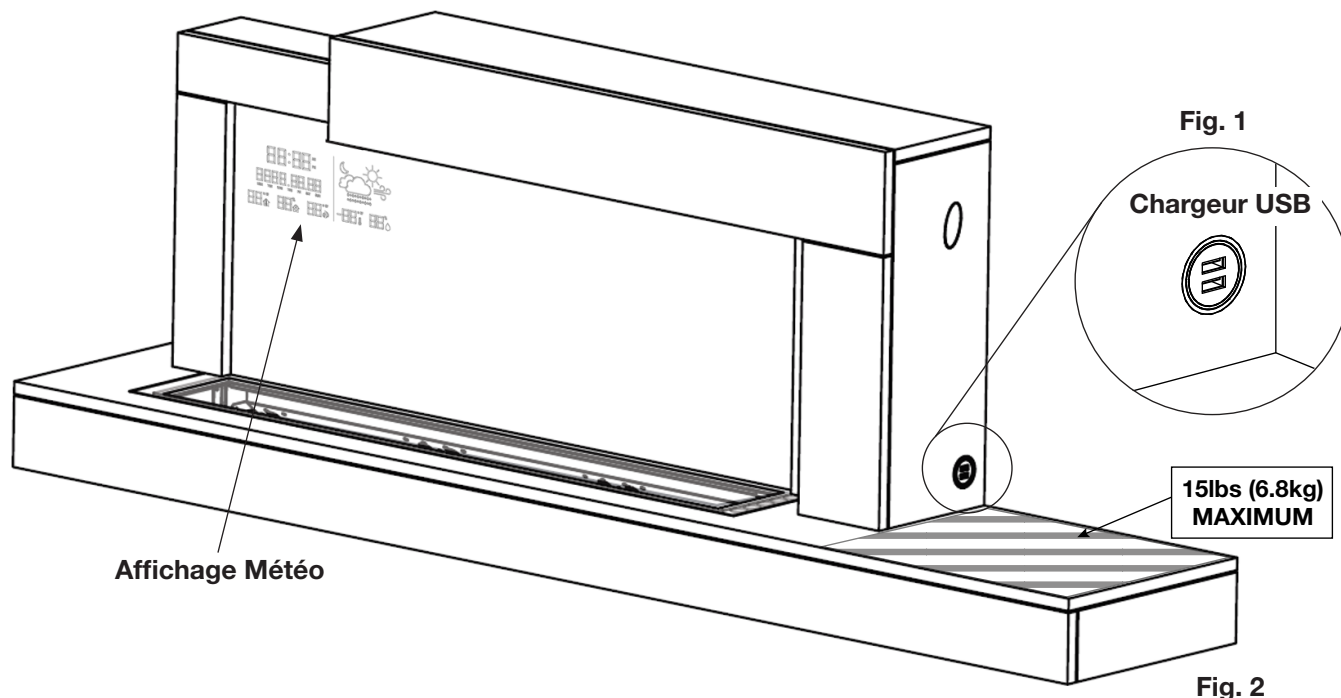
### 1.1.2 caractéristiques

- Cet appareil dispose d'un double chargeur rapide USB 1,5 A situé sur le côté droit de la façade NEFS32-5019W. (**Fig. 1**). Voir la section « instructions de fonctionnement » pour plus de détails.

**note:**

Ce chargeur USB peut ne pas être compatible avec tous les types de téléphones.

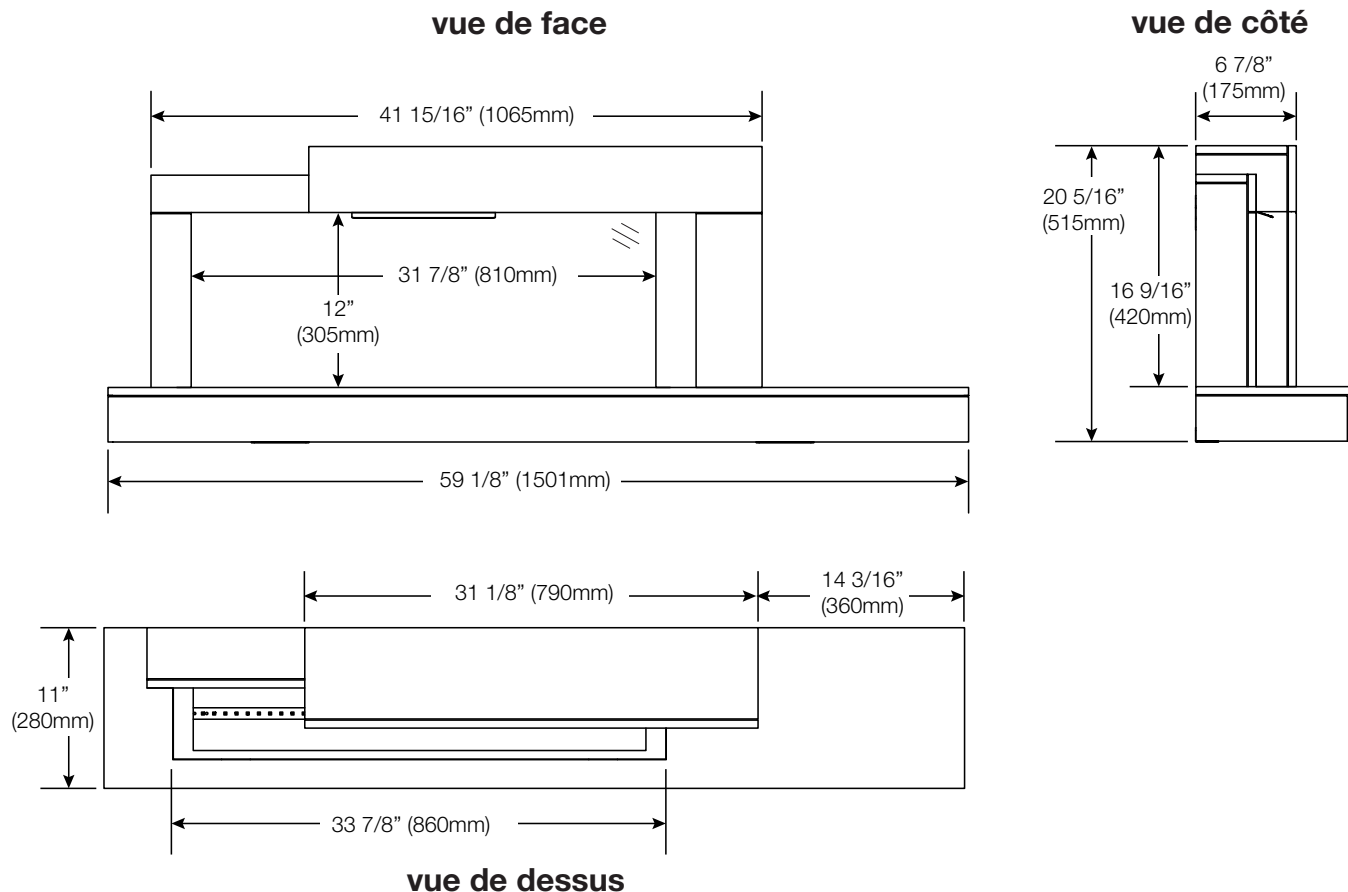
- L'entourage NEFS32-5019W est porteur UNIQUEMENT dans la zone hachurée (**Fig. 2**), avec une capacité de charge maximale de 15 lb (6,8 kg). Aucun objet ne doit être placé sur une autre partie de l'appareil.
- L'appareil dispose d'un affichage météo dans le coin supérieur gauche de la vitre avant (voir "informations d'affichage météo" pour plus de détails) et d'une station de charge sans fil sur la console inférieure droite.



# informations générales

FR

## 1.2 dimensions



## 1.3 homologations

<b>No. de Modèle</b>	NEFP32-5019W-IOT
<b>Description</b>	Appareil Électrique Mural Contemporain de 59"
<b>Tension</b>	120V AC
<b>Puissance</b>	Max 1500W
<b>Ampères</b>	15 AMP circuit dédié mis à la terre
<b>Largeur</b>	59 1/8" (1501mm)
<b>Hauteur</b>	20 5/16" (515mm)
<b>Profondeur</b>	11" (280mm)
<b>Poids Net</b>	58lbs (26.3kg)
<b>Poids Brut</b>	96lbs (43.5kg)

Cet appareil a été testé conformément aux normes CSA pour les appareils électriques fixes et dédiés aux locaux aux États-Unis et au Canada. Si vous avez besoin d'aide lors de l'installation, veuillez contacter votre revendeur local.

**note:**

Cet appareil doit être câblé électriquement et mis à la terre conformément aux codes locaux ou, en l'absence de codes locaux, à la dernière édition du National Electric Code ANSI/NFPA 70 aux États-Unis ou au Code canadien de l'électricité CSA C22.1 au Canada.



## 1.4 instructions générales

- Avant de brancher votre appareil dans une prise de courant, vérifiez si le disjoncteur de la maison pour ce circuit est allumé.
- Il est possible que l'appareil dégage une légère odeur inoffensive lors de la première utilisation. Cela est une condition normale causée par le chauffage initial des éléments de l'appareil. Elle ne se reproduira plus.
- Si votre appareil n'émet pas de chaleur lorsqu'il est sollicité, consultez la section « fonctionnement » de ce manuel pour de plus amples renseignements.
- Utilisez avec un limiteur de surtension certifié CSA ou UL.
- Ne faites pas passer le cordon d'alimentation directement sous l'appareil.

Cet appareil électrique répond aux normes de construction et de sécurité du H.U.D. pour des applications dans des maisons préfabriquées lorsque installé selon ces instructions.

Comme la plupart des appareils électroniques, votre nouvel appareil électrique a été conçu pour fonctionner à des températures comprises entre 5 °C (41 °F) et 35 °C (95 °F). Pendant les mois d'hiver les plus froids, laissez l'appareil atteindre la température ambiante avant de l'allumer.

## 1.5 déballage & vérification de l'appareil

Retirez délicatement l'appareil de la boîte et retirez les équerres de support. Avant d'installer l'appareil, retirez tous les matériaux d'emballage et testez pour vous assurer que l'appareil fonctionne correctement en branchant le cordon d'alimentation dans une prise de terre dédiée de 120 V, 15 A minimum, idéalement située.

## 1.6 information à propos de la plaque d'homologation



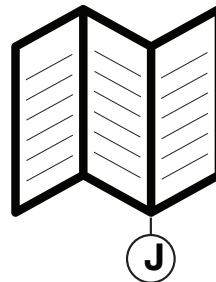
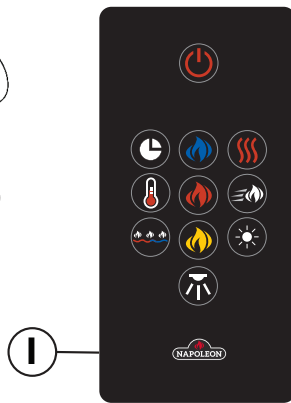
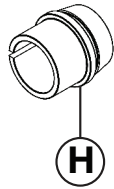
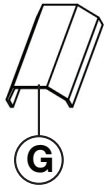
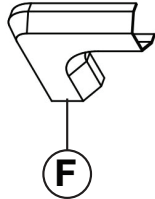
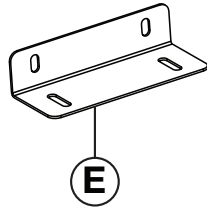
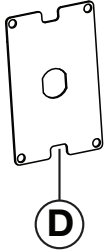
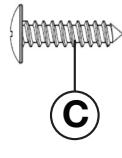
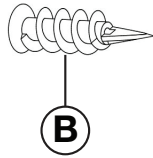
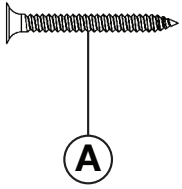
Cette illustration est à titre d'illustration seulement. Consultez la plaque d'homologation pour obtenir l'information précise.

**note:**

La plaque d'homologation doit rester avec l'appareil tout le temps. Elle ne doit jamais être enlevée.

# informations générales

## FR 1.7 liste de pièces



	Description	Quantité
A	Vis à Bois	18
B	Ancres de Cloison Sèches	18
C	Vis Métalliques ST4x12	4
D	Plaque de Recouvrement	1
E	Support	2
F	Coin de Cordon	2
G	Couverture de Cordon	2
H	Soulagement de Traction	1
I	Télécommande	1
J	Modèle de Montage Mural	1

## 2.0 installation

### ⚠ AVERTISSEMENT

- Risque d'incendie! Le cordon d'alimentation ne doit pas être coincé contre une arrête vive. Fixez le cordon pour éviter les chutes ou les accrochages afin de réduire le risque d'incendie, de choc électrique ou de blessures corporelles. Ne passez pas le cordon d'alimentation sous un tapis. Ne recouvrez pas le cordon avec des tapis, des tapis de couloir ou autres revêtements similaires. Évitez de placer le cordon dans un endroit passant ou à un endroit où il risque de causer des chutes.
- Risque d'incendie! Pour prévenir les risques d'incendie, ne bloquez pas les entrées d'air et les sorties d'air de quelque manière que ce soit. Ne placez pas cet appareil sur une surface molle où les ouvertures pourraient se bloquer.
- Risque d'incendie! Ne soufflez pas ou ne placez pas d'isolant contre l'appareil.
- Cet appareil électrique a été testé et homologué pour usage avec les accessoires optionnels listés dans ce manuel uniquement. L'utilisation d'accessoires optionnels qui n'ont pas été spécifiquement testés pour cet appareil électrique annulera la garantie de l'appareil et/ou présentera des risques pour la sécurité.
- Si ces instructions ne sont pas suivies à la lettre, un incendie ou une explosion pourraient s'ensuivre, causant des dommages matériels, des blessures corporelles ou des pertes de vie. N'entreposez pas et n'utilisez pas d'essence ou autres vapeurs inflammables à proximité de cet appareil ou tout autre appareil.
- Étant donné la lourdeur de cet appareil, il est recommandé que deux personnes en fassent l'installation.
- Si votre appareil est équipé avec chauffage, assurez-vous que les ouvertures de la chauffage ne peut pas, dans aucune façon, être recouverts car il peut provoquer un incendie.
- N'exécutez pas le cordon d'alimentation horizontalement, directement en dessous de l'appareil.

Votre appareil est un appareil mural. Choisissez un endroit approprié qui n'est pas sensible à l'humidité et à l'écart des rideaux, des meubles et des zones à fort trafic.

#### note:

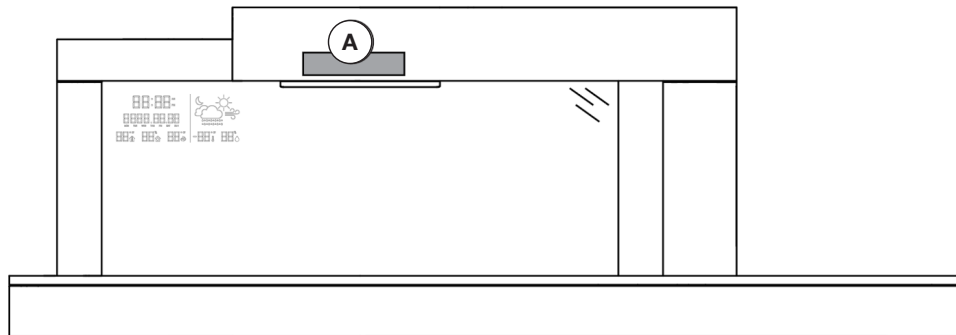
Suivez tous les codes électriques nationaux et locaux.

## 2.1 emplacement de l'appareil

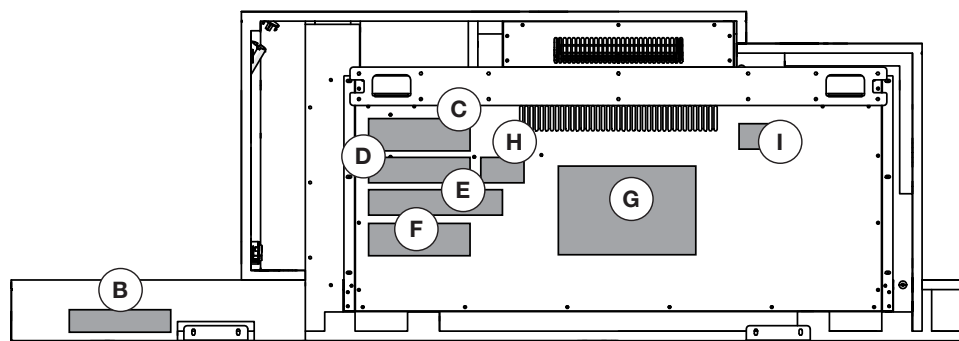
### ! AVERTISSEMENT

- En raison des températures élevées, cet appareil électrique doit être placé hors de la circulation. Gardez les matériaux combustibles tels que les meubles, les oreillers, la literie, les papiers, les vêtements, les rideaux et les articles similaires à au moins 36 po (91,4 cm) de l'avant de l'appareil.
- Ne placez jamais cet appareil électrique à un endroit où il pourrait tomber dans un réservoir d'eau.
- Portez des gants de sécurité et des lunettes de sécurité pour vous protéger pendant l'installation et l'entretien.
- Pour éviter tout contact avec une isolation affaissée ou desserrée, l'appareil électrique ne doit pas être installé contre un pare-vapeur ou une isolation exposée. Une surchauffe localisée pourrait se produire, entraînant éventuellement un incendie.
- N'exposez pas l'appareil électrique aux intempéries (c'est-à-dire à la pluie).

## 2.2 emplacement d'étiquette



VUE DE FACE



VUE D'ARRIÈRE

Réf.	No. de Pièce	Description
A	W385-1946	« Ne Couvrir Pas »
B	W385-2016	Étiquette C.A.R.B.
C	W385-2167	Attention
D	W385-2163	Avertissement
E	W385-2348	Branchement par Câble
F	W385-2559	Plaque d'Homologation
G	W385-2561	Schéma de Câblage
H	-	Étiquette FCC
I	-	Numéro DSN Wifi

**note:**

À titre indicatif seulement.  
Les emplacements des étiquettes peuvent varier.

# installation

FR

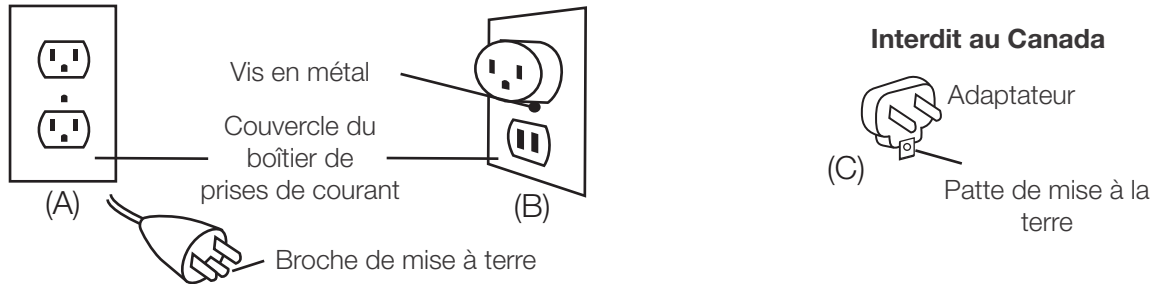
## 2.3 mise à la terre de l'appareil

Cet appareil doit être branché sur un circuit de 120 volts. Son cordon d'alimentation est équipé d'une fiche comme illustré en (A) ci-contre. Un adaptateur, tel qu'illustré en (C), est disponible pour brancher des fiches à trois branches avec mise à la terre dans des prises à deux fentes, tel qu'illustré en (B).

La patte verte de mise à la terre de l'adaptateur doit être branchée dans une prise de courant mise à la terre de façon permanente telle qu'un boîtier de prises de courant mis à la terre. L'adaptateur ne doit pas être utilisé si une prise de courant mise à la terre à trois fentes est disponible.

Pour débrancher l'appareil, mettez les boutons de contrôle à « OFF » puis retirez la fiche de la prise du courant.

### Méthodes de mise à la terre



**note:**

L'appareil doit être connecté à un circuit dédié de 15 ampères. L'utilisation d'une rallonge n'est PAS autorisée.

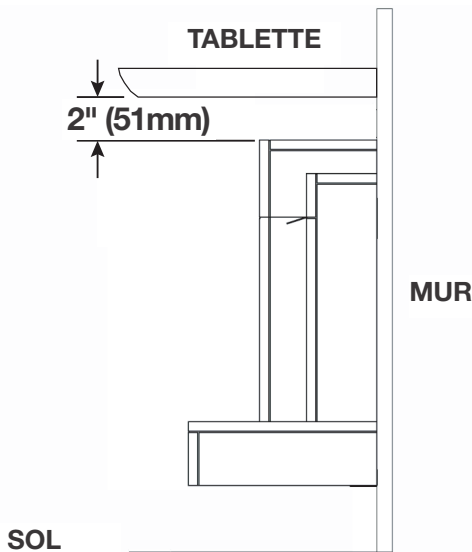
## 2.4 dégagements minimaux aux matériaux combustibles

Dégagements aux Combustibles	
Combustibles au dessus	0"
Combustibles au bas	0"
Combustibles aux côtés	0"
Combustibles à l'arrière	0"

## 2.5 dégagements minimaux à la tablette

### ⚠ AVERTISSEMENT

- Lorsque vous utilisez de la peinture ou de la laque pour finir la tablette, la peinture ou la laque doit être résistante à la chaleur pour éviter la décoloration.



Vue latérale (montage mural)

**note:**

Bien que cet appareil puisse fonctionner en toute sécurité avec une hauteur de tablette de 0 po, un espace de 2 po (51 mm) entre l'appareil et la tablette est recommandé afin de soulever l'appareil des crochets du support mural arrière.

## 2.6 installation de l'appareil sur le mur (fixation murale)

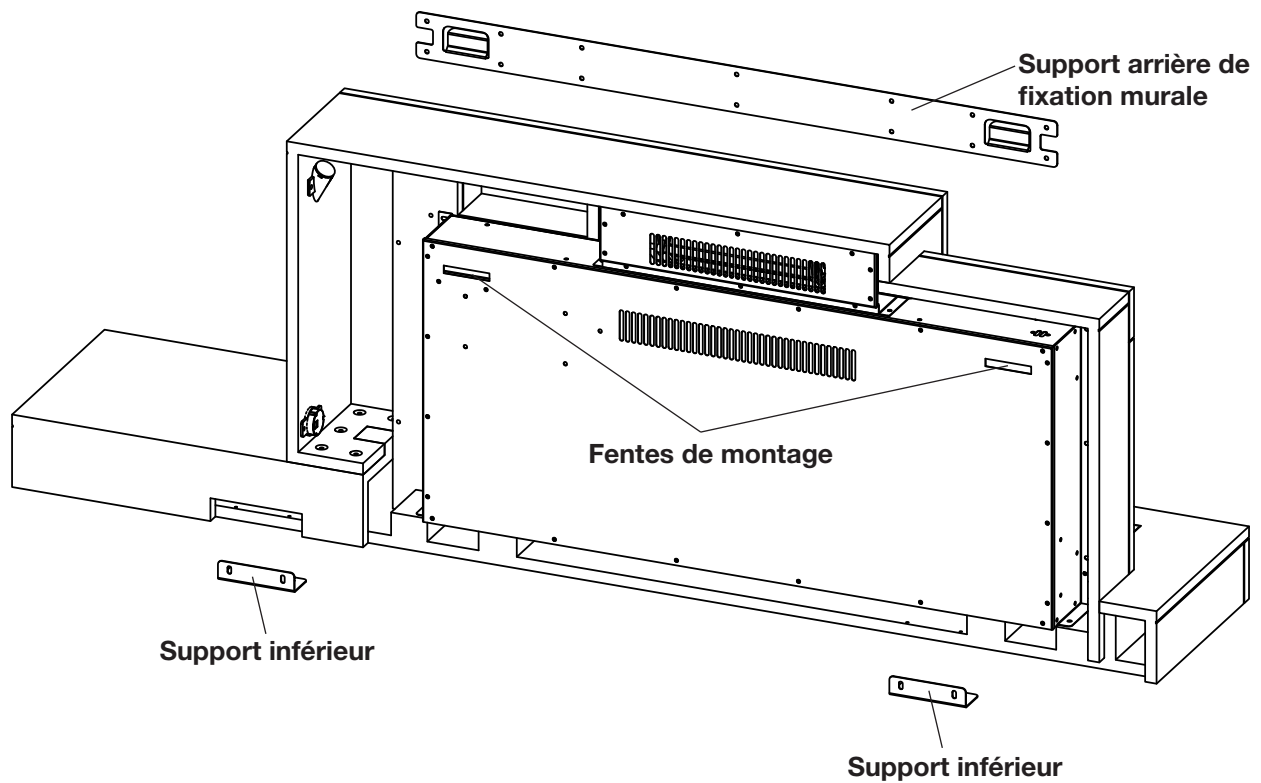
### **AVERTISSEMENT**

- Consultez votre constructeur local avant d'installer l'appareil. L'appareil doit être installé conformément aux codes du bâtiment locaux.
- L'appareil doit être installé dans un endroit non sujet à l'humidité.
- L'appareil doit être installé à au moins 36 po (91,4 cm) des matériaux combustibles tels que les rideaux, les meubles, la literie, le papier, etc.

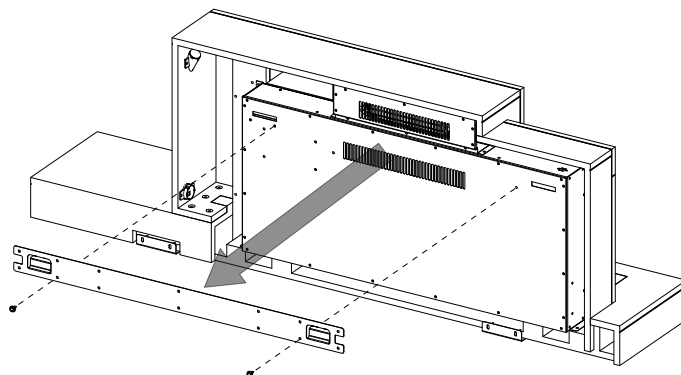
#### **note:**

Nous vous recommandons de faire installer cet appareil par deux personnes.

### **Vue d'Ensemble d'Appareil**



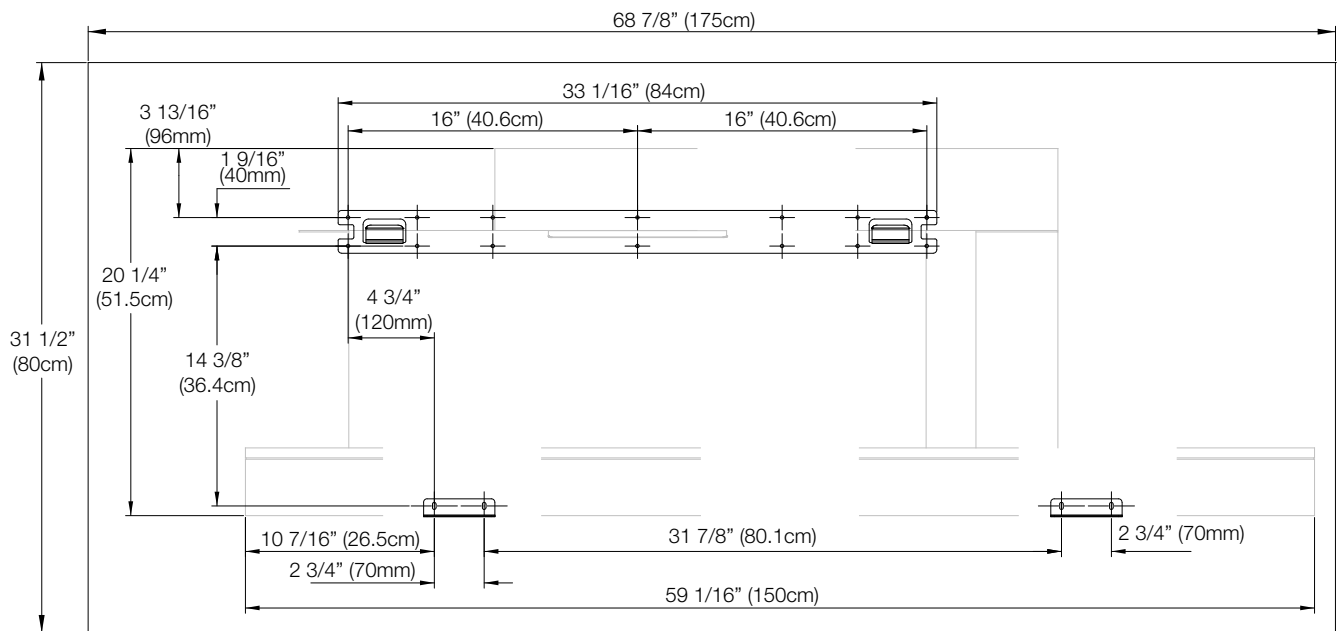
1. Demandez à deux personnes de tenir l'appareil contre le mur pour déterminer l'emplacement final.
2. Placez l'appareil sur une surface douce, non abrasive et plane. Retirez le support mural arrière de l'arrière de l'appareil en retirant les 2 vis (**Fig. 1**).




**Fig. 1**

# installation

FR



**Fig. 2**


- À l'aide du gabarit d'installation de montage mural (**Fig. 2**), marquez les emplacements du support mural arrière et des supports inférieurs sur le mur.
- Installez le support mural arrière sur le mur à l'aide de 14 vis (fournies).  **A x14**

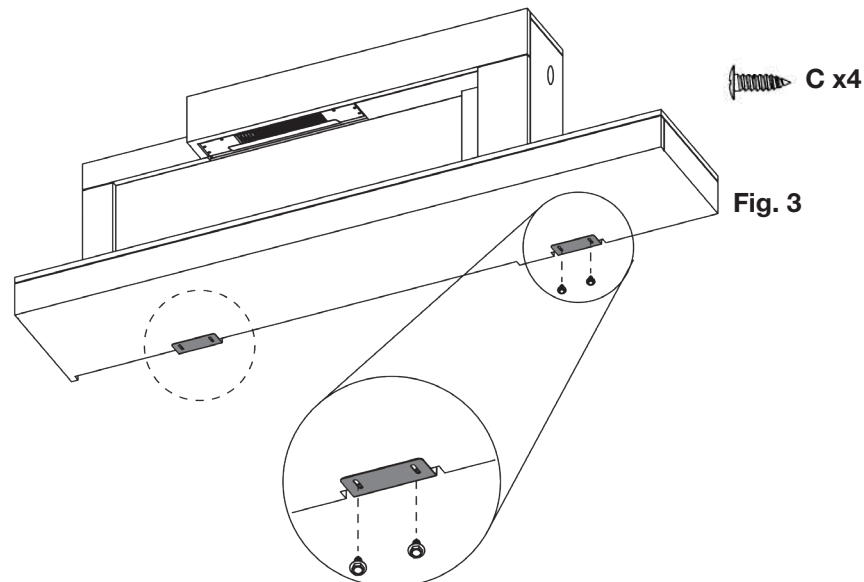
**note:**

Le support mural arrière DOIT avoir des crochets orientés vers le haut et être de niveau.

**note:**

Il est fortement recommandé de visser le support mural arrière dans les montants du mur lorsque cela est possible. Si les montants muraux ne peuvent pas être utilisés, assurez-vous que les chevilles en plastique (fournies) sont utilisées pour fixer le support au mur et que le support est correctement fixé.

- Installez les supports inférieurs sur le mur à l'aide de 4 vis (fournies).  **A x4**
- Soulevez l'appareil jusqu'à ce que les deux fentes de montage dégagent les crochets du support mural arrière. Faites glisser l'appareil vers le bas jusqu'à ce qu'il soit complètement fixé.
- Fixez l'appareil aux supports inférieurs à l'aide de 4 vis (fournies) (**Fig. 3**).

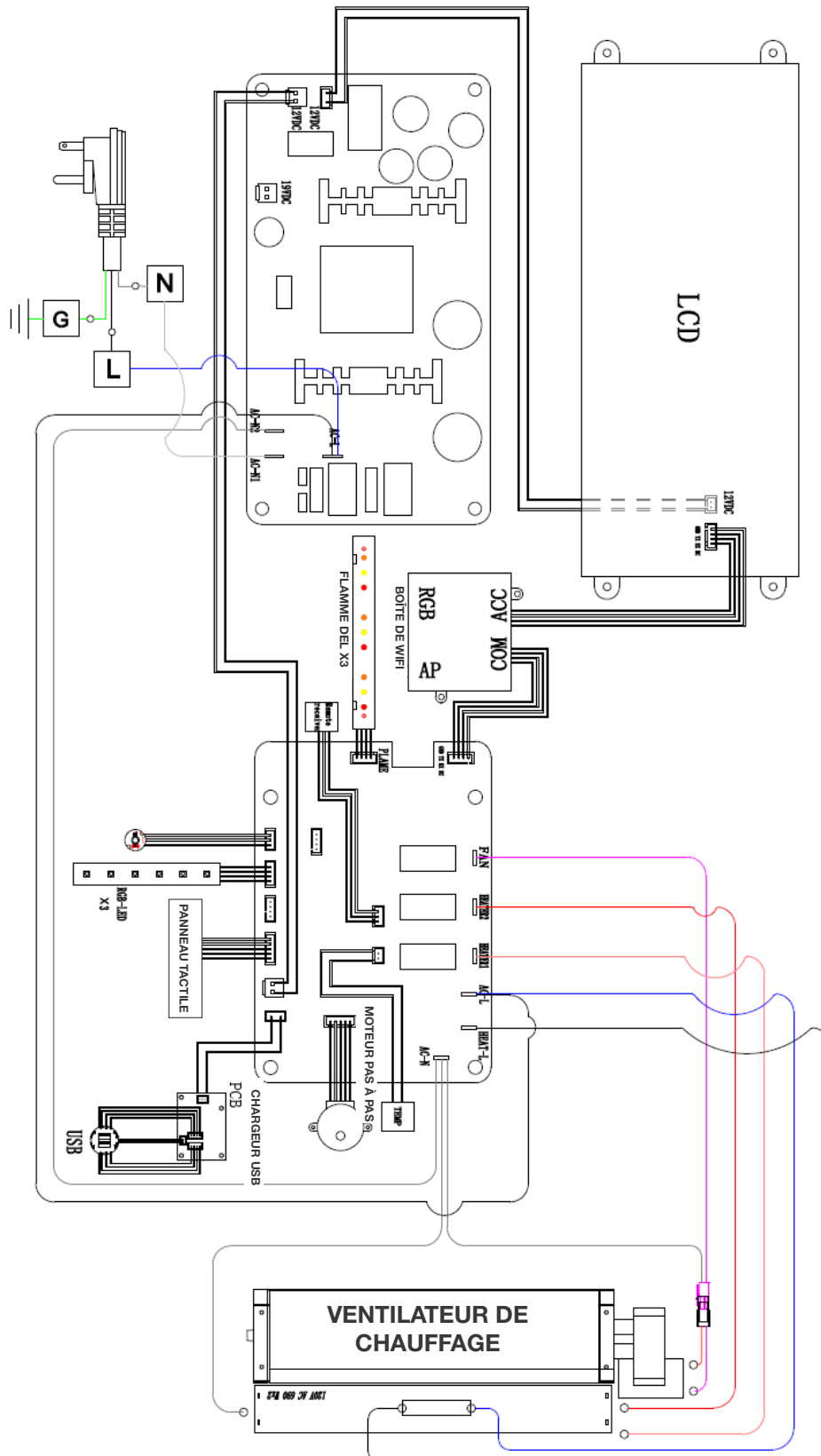


**Fig. 3**

## 3.1 schéma de câblage

**AVERTISSEMENT**

- Éteignez complètement l'appareil et laissez-le refroidir avant de procéder à l'entretien. Seul un technicien qualifié doit entretenir et réparer cet appareil électrique.



### **AVERTISSEMENT**

- Éteignez complètement l'appareil et laissez-le refroidir avant de procéder à l'entretien. Seul un technicien qualifié doit entretenir et réparer cet appareil électrique.

#### **CONNEXION DE BRANCHEMENT PAR CÂBLE**

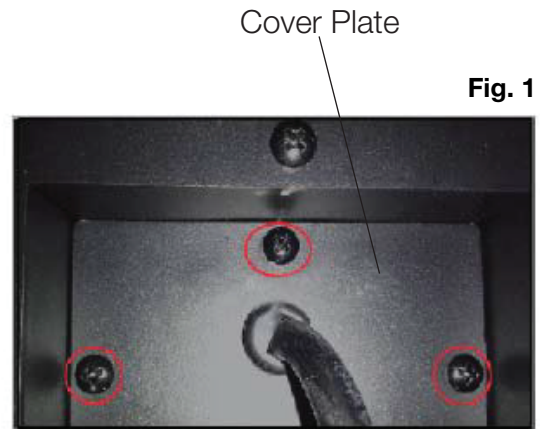
S'il est nécessaire de câbler cet appareil, un électricien qualifié doit retirer la connexion du cordon et câbler l'appareil directement au câblage domestique. Le fil et le disjoncteur d'alimentation doivent être évalués pour 120 V minimum 15 ampères.

Cet appareil doit être connecté électriquement et mis à la terre conformément aux codes locaux, s'il est câblé. En l'absence de codes locaux, utilisez la version actuelle du CODE ÉLECTRIQUE CANADIEN CSA C22.1 au Canada ou la version actuelle du CODE ÉLECTRIQUE NATIONAL ANSI/NFPA 70 aux États-Unis.

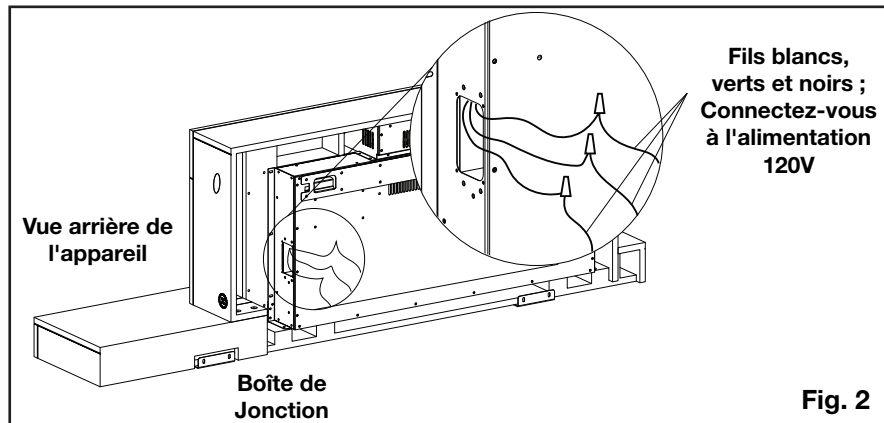
#### **note:**

Il y a 3 fils de la jonction de l'appareil : blanc (neutre), noir (alimentation L1) et vert (terre) qui se connectent à l'alimentation 120 V (panneau de disjoncteurs). Voir ci-dessous.

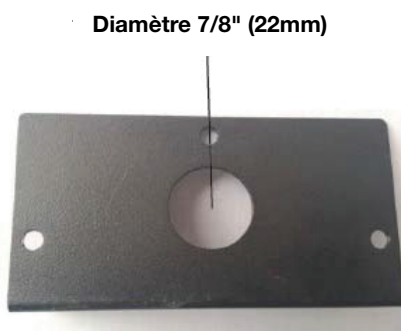
- Retirez la plaque de couverture du côté inférieur droit de l'appareil en retirant les trois vis (**Fig. 1**).
- Retirez les connecteurs de fils du cordon d'alimentation (**Fig. 2**). Le cordon d'alimentation peut être jeté.
- Découpez le trou de 7/8" (22 mm) dans la nouvelle plaque de couverture (fournie) (**Fig. 3**), et installez un connecteur de boîte à travers celui-ci dans la boîte de jonction.
- À l'aide des connecteurs de fils, connectez les fils verts de masse (G) et les fils blancs communs (N) ensemble, puis les fils noirs chauds (L) (**Fig. 4**).
- Réinstallez la plaque de couverture à l'aide des trois vis précédemment retirées à l'étape A (**Fig. 1**).



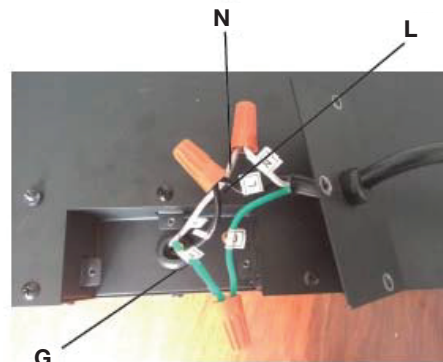
**Fig. 1**



**Fig. 2**



**Fig. 3**



**Fig. 4**



## 4.0 instructions de fonctionnement

FR








### AVERTISSEMENT

- Assurez-vous que les disjoncteurs de la maison pour l'alimentation électrique sont activés. Lors de la connexion initiale de l'appareil à une source d'alimentation, l'appareil émettra un bip puis restera éteint jusqu'à ce qu'il soit allumé.

Une fois que l'appareil a été branché sur une prise électrique mise à la terre ou câblé à une alimentation électrique dédiée de 120 V, il est prêt à fonctionner.

### 4.1 fonctionnement du panneau de commande

Le panneau de commande est situé sur le côté droit de l'appareil.

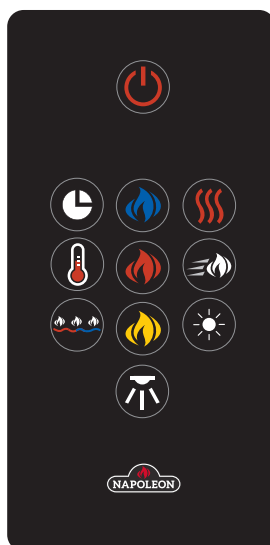
<b>Puissance</b>		Allume/éteint l'appareil.
<b>Contrôle de la Lumière d'Accentuation Latérale</b>		Contrôle la lumière d'accentuation latérale. <b>Réglages:</b> d8 - Blanc froid & blanc chaud à luminosité de 100% d7 - Blanc froid & blanc chaud à luminosité de 75% d6 - Blanc froid & blanc chaud à luminosité de 50% d5 - Blanc froid & blanc chaud à luminosité de 25% d4 - Blanc chaud à luminosité de 100% d3 - Blanc chaud à luminosité de 50% d2 - Blanc froid à luminosité de 100% d1 - Blanc froid à luminosité de 50% d0 - Lumière d'accentuation latérale éteinte
<b>Contrôle de la Lumière de la Flamme</b>		Contrôle la flamme. <b>8 Réglages:</b> F0 - Flamme éteint F1 - Flamme orange F2 - Flamme jaune F3 - Flamme bleu F4 - Flamme jaune / orange F5 - Flamme orange / bleu F6 - Flamme jaune / bleu F7 - Flamme jaune / orange / bleu
<b>Interrupteur F° / C°</b>		Modifie le format de température de Fahrenheit à Celsius ou vice versa. Appuyez et maintenez enfoncé le bouton Flamme pendant 5 secondes.
<b>Contrôle de Chauffage</b>		Active/désactive le chauffage et le ventilateur. <b>4 Réglages:</b> H0 - Chauffage et ventilateur éteint bL - Ventilateur allumé H1 - Chaleur faible H2 - Chaleur forte
<b>Verrouillage de Chauffage</b>		LO - Le bouton de chauffage peut être verrouillé ou déverrouillé en maintenant le bouton de chauffage pendant 5 seconds.
<b>Configuration de WiFi (Voir la section "Ajout d'un appareil")</b>		Appuyez sur le bouton d'éclairage d'accentuation latéral et maintenez-le enfoncé pendant 10 secondes.














# instructions de fonctionnement

FR

## 4.2 fonctionnement de la télécommande



<b>Puissance</b>		Allume et éteint l'appareil.
<b>Flamme Bleu</b>		Contrôle la luminosité de la flamme.
<b>Flamme Orange</b>		<b>Réglages:</b> F4 - Flamme la plus brillante F3 - Flamme brillante F2 - Flamme moyenne F1 - Flamme petite F0 - Flamme éteinte
<b>Flamme Jaune</b>		
<b>Chaffeur</b>		Allume et éteint le chauffage et ventilateur.  <b>Réglages:</b> H0 - Chauffage et ventilateur éteinte bL - Ventilateur allume H1 - Chaleur faible H2 - Chaleur forte
<b>Vitesse de la Flamme</b>		Contrôle la vitesse de la flamme.  <b>Réglages:</b> 01 - Le plus lente 02 03 04 05 - Le plus rapide
<b>Contrôle de la Lumière d'Accentuation Latérale</b>		Contrôle la lumière d'accentuation latérale.  <b>Réglages:</b> d8 - Blanc froid & blanc chaud à luminosité de 100% d7 - Blanc froid & blanc chaud à luminosité de 75% d6 - Blanc froid & blanc chaud à luminosité de 50% d5 - Blanc froid & blanc chaud à luminosité de 25% d4 - Blanc chaud à luminosité de 100% d3 - Blanc chaud à luminosité de 50% d2 - Blanc froid à luminosité de 100% d1 - Blanc froid à luminosité de 50% d0 - Lumière d'accentuation latérale éteinte

<p><b>Couleur du Lit de Braise</b></p>		<p>Contrôle les réglages de la lumière du lit de braise.</p> <p><b>Réglages:</b>                      L0 - Lumière du lit de braise éteinte                      L1 - Blanc                      L2 - Bleu                      L3 - Vert                      L4 - Rouge                      L5 - Jaune                      L6 - Violet                      L7 - Cycle automatique de blanc, bleu, vert, rouge, jaune et violet.  <b>(NOTE: Il faudra 8,5 secondes pour passer d'une couleur à l'autre.)</b>                      L8 - Verrouiller à la couleur désirée</p>
<p><b>Luminosité du Lit de Braise</b></p>		<p>Contrôle la luminosité de la lumière du lit de braise.</p> <p><b>Réglages:</b>                      b5 - Effet éclaircissant graduel de b1 à b4                      b4 - Le plus brillant                      b3 - Brillant                      b2 - Moyen                      b1 - Faible</p>
<p><b>Minuterie</b></p>		<p>Contrôle la minuterie.</p> <p><b>Réglages:</b>                      00                      30min.                      1h                      2h                      3h                      4h                      5h                      6h                      7h                      8h</p>
<p><b>Contrôle de Température</b></p>		<p>Contrôle la température</p> <p><b>Réglages:</b>                      18°C (64°F)                      21°C (70°F)                      24°C (75°F)                      27°C (81°F)                      et OFF</p>
<p><b>Chargeur USB</b></p>		<p><b>Téléphone se Charge:</b> Il y a un indicateur rouge.</p> <p><b>Téléphone est Chargé:</b> Il y a un indicateur vert.</p> <p><b>NOTE:</b> Ceci n'est pas qu'une indication approximative de la charge de votre téléphone. Vérifiez le téléphone pour un état de charge précis.</p> <p>Voir la section « caractéristiques » pour plus d'information sur le chargeur USB.</p>

# instructions de fonctionnement

FR

## 4.3 installation de pile de la télécommande

### AVERTISSEMENT

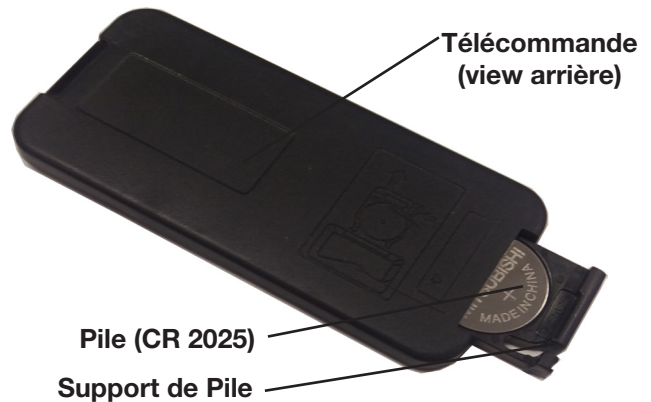
- Cette télécommande nécessite des piles bouton dangereuses pour les jeunes enfants.
- AVERTISSEMENT - GARDEZ LES PILES HORS DE PORTÉE DES ENFANTS.
- L'ingestion peut entraîner des blessures graves ou la mort en moins de 2 heures en raison de brûlures chimiques et d'une perforation potentielle de l'œsophage.
- Si vous pensez que votre enfant a avalé ou inséré une pile bouton, consultez immédiatement un médecin d'urgence.
- Examinez les appareils et assurez-vous que le compartiment à piles est correctement fixé (c'est-à-dire que la vis ou toute autre fixation mécanique est bien serrée). Ne pas utiliser si le compartiment n'est pas sécurisé.
- Jetez immédiatement et en toute sécurité les piles bouton usagées. Les batteries déchargées peuvent toujours être dangereuses.
- Parlez aux autres des risques associés aux piles bouton et de la manière de protéger leurs enfants.



#### note:

La télécommande a une languette en plastique amovible pour prolonger la durée de vie de la batterie lors de l'expédition. Retirez la languette pour que la télécommande fonctionne.

1. Pour remplacer la batterie existante, retirez le support de piles.
2. Pour retirer le porte-piles, tournez la télécommande vers l'avant et appuyez sur le levier latéral gauche vers le centre tout en tirant le porte-piles à l'aide de la fente prévue.
3. Remplacez la pile existante, type CR 2025, par une pile neuve et réinstallez le support de pile dans la télécommande en le faisant glisser en position, comme illustré.
4. Le support des piles est bien fixé sur la télécommande lorsqu'un bruit de "CLIC" se fait entendre.



#### note:

La télécommande doit rester à moins de 5 mètres (17 pieds) de l'appareil pour être efficace. Cette portée peut être réduite lorsque la batterie est épuisée. La télécommande doit être dirigée vers le centre de l'appareil pour qu'il fonctionne le plus efficacement.



Les piles doivent être mises au rebut conformément aux lois et à la réglementation locales. Certaines piles peuvent être recyclées et acceptées dans votre centre de recyclage local. Renseignez-vous auprès de votre municipalité au sujet des directives de recyclage.

## ! AVERTISSEMENT

- Le service d'alimentation électrique doit être terminé avant la finition afin d'éviter la reconstruction.
- Les bouches de chaleur et les ouvertures d'aération ne peuvent en aucun cas être couvertes.

### 5.1 installation de braise de cristal

1. Placez soigneusement les braises de cristal moyennes dans le bac inférieur (**Fig. 1**).
2. Appliquez une couche uniforme d'un côté à l'autre.
3. Placez au hasard les 6 grandes braises de cristal sur les braises de cristal moyennes (**Fig. 2**).



Fig. 1



Fig. 2

### 5.2 installation des bûches de bouleau optionnelle

1. Placez soigneusement les bûches de bois de bouleau sur le plateau multimédia (**Fig. 1**).
2. Utilisez les braises de cristal moyennes et grandes (voir la section "installation des braises de cristal") pour remplir les espaces entre les bûches de bois de bouleau (**Fig. 2**). Cela améliorera l'aspect général de l'appareil.

Réf.	No. de Bûche	Quantité
A	W135-0768	2
B	W135-0770	2
C	W135-0769	1

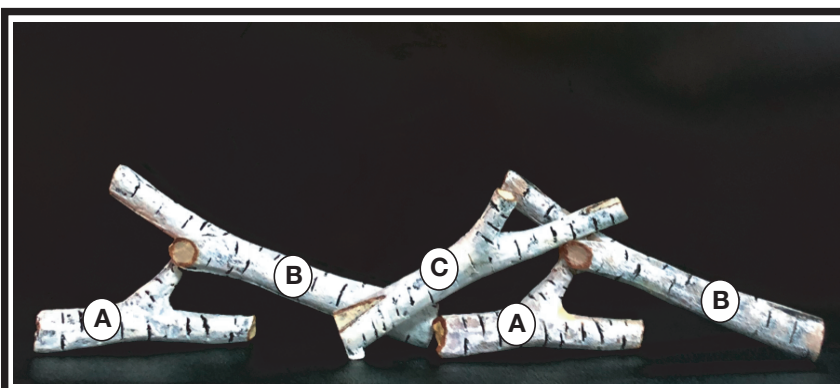


Fig. 1 (L'emplacement recommandé)

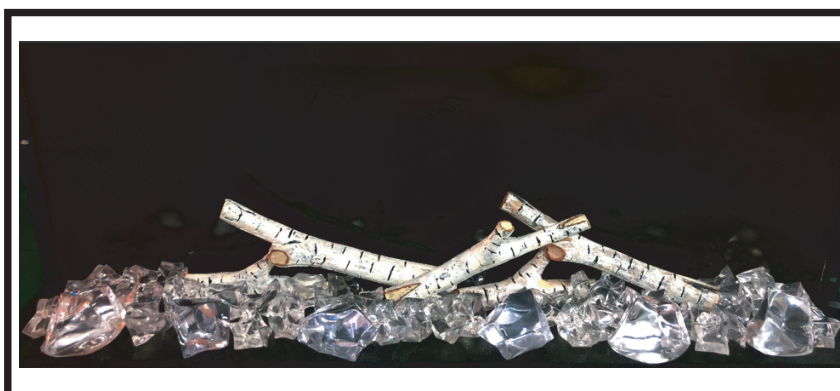


Fig. 2

## 6.0 Connectivité Napoléon

FR

# APPLICATION NAPOLEON HOME



## COMMENT ÇA MARCHE?

Accédez à distance à votre appareil en téléchargeant l'application **Napoléon Home** depuis votre boutique d'applications.

Pour accéder à l'application, vous devrez créer un compte en suivant les instructions indiquées dans l'application (voir ci-dessous pour plus de détails).

En associant votre appareil à l'application **Napoléon Home** via WiFi, vous contrôlez tous les modes et fonctions de l'appareil.



Scannez ce code QR pour accéder directement au site Web de l'application **Napoléon Home**.

## COMMENÇONS

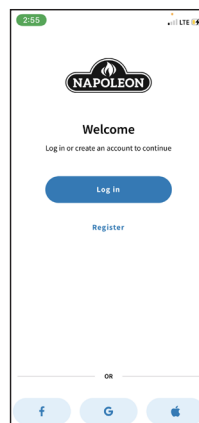
### 1 TÉLÉCHARGEZ



Téléchargez l'application **Napoléon Home** depuis votre boutique d'applications (Google Play ou Apple App Store).

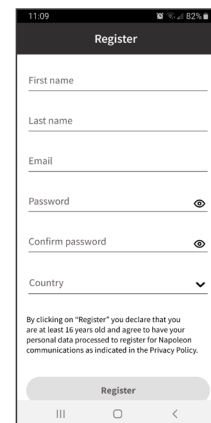
**Note:** Cela nécessite Android 7.0 ou iOS 11.0.

### 2 ENREGISTREZ



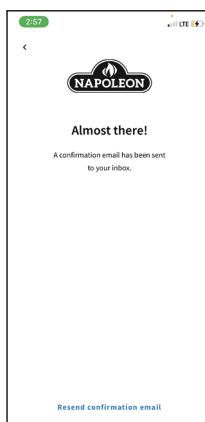
Enregistrez un compte avec l'application **Napoléon Home** OU connectez-vous en utilisant les informations de votre compte Facebook, Google ou

### 3 CRÉEZ



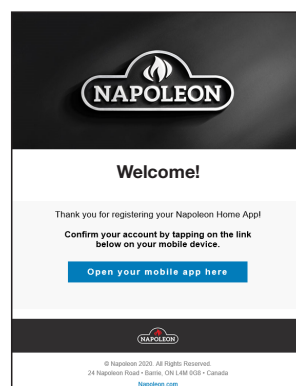
Entrez les informations de l'utilisateur et créez un mot de passe pour le compte. Sélectionnez le pays dans lequel se trouve l'appareil.

### 4 PREQUE LÀ



Les informations saisies à l'étape 3 seront enregistrées dans l'application **Napoléon Home** et une confirmation sera envoyée à l'adresse e-mail

### 5 CONFIRMEZ



Ouvrez la boîte de réception et sélectionnez le lien de validation.

**Note:** Le lien de confirmation doit être ouvert sur l'appareil sur lequel l'application **Napoléon Home** est installée.

### 6 RÉCONFIRMEZ



Si aucun e-mail n'est trouvé, cliquez sur « Renvoyer le lien de confirmation » et vérifiez le dossier.

## 6.1 ajouter un appareil

1. Assurez-vous que l'appareil est branché et allumé (**Fig. 1**).
2. Maintenez enfoncé le bouton du contrôle de la lumière d'accentuation latérale sur le panneau de commande de l'appareil pendant 10 secondes (**Fig. 2**).

**note:**

L'appareil fera clignoter la couleur verte du lit de braises.



Fig. 1



Fig. 2

3. Sélectionnez "Ajouter un appareil" et acceptez les autorisations (**Fig. 3 & 4**).

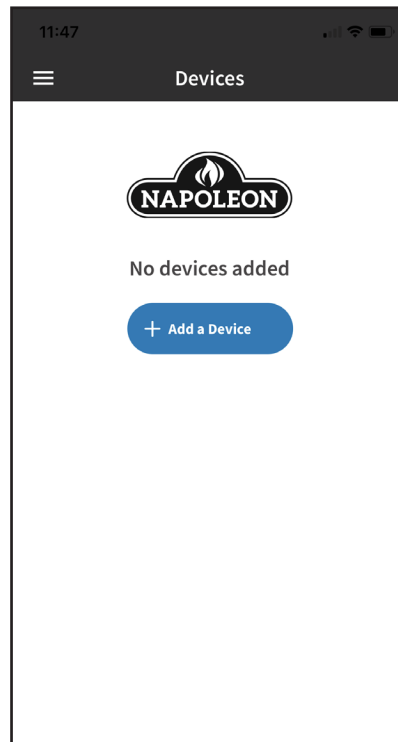


Fig. 3

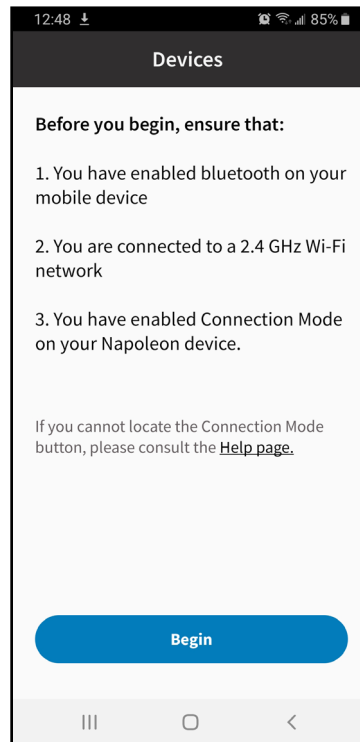


Fig. 4

# Connectivité Napoléon

FR

4. Recherchez des appareils et sélectionnez l'appareil dans la liste (Fig. 5 & 6).

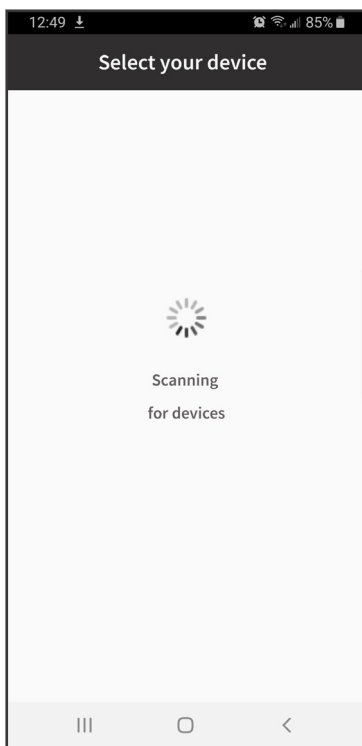


Fig. 5



Fig. 6

5. Sélectionnez le wifi souhaité et connectez-vous en entrant le mot de passe wifi de votre domicile (Fig. 7 & 8).

6. Une fois l'appareil connecté au point d'accès, on peut lui attribuer un surnom afin d'être plus reconnaissable (Fig. 9).

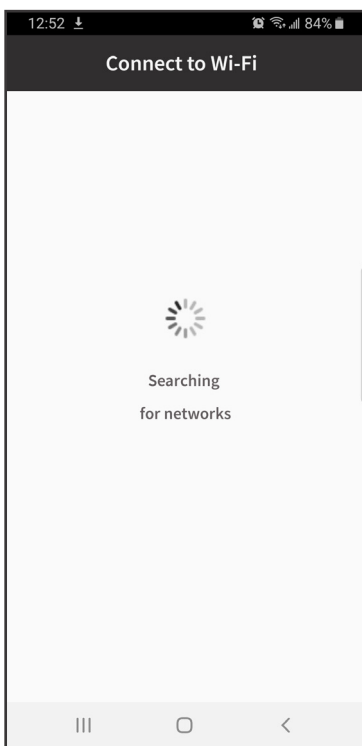


Fig. 7

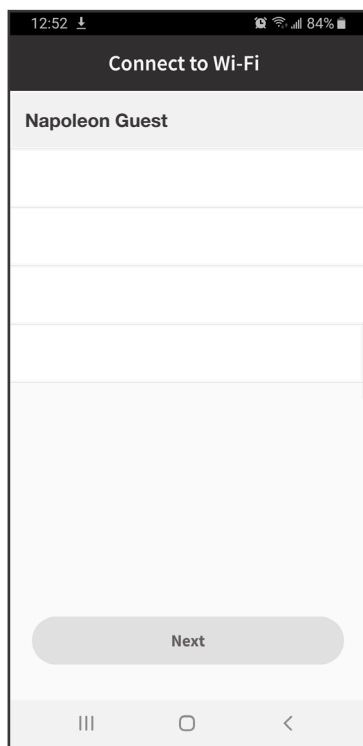


Fig. 8

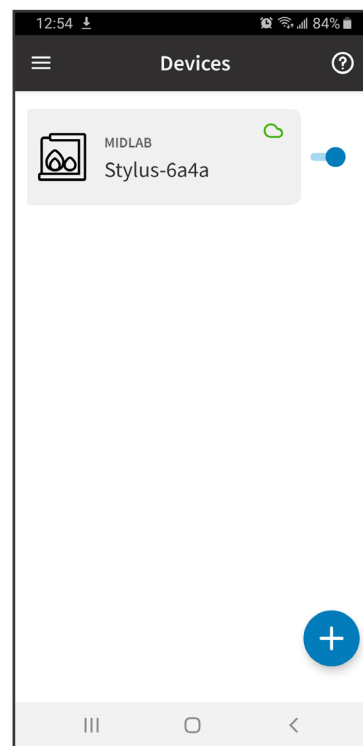
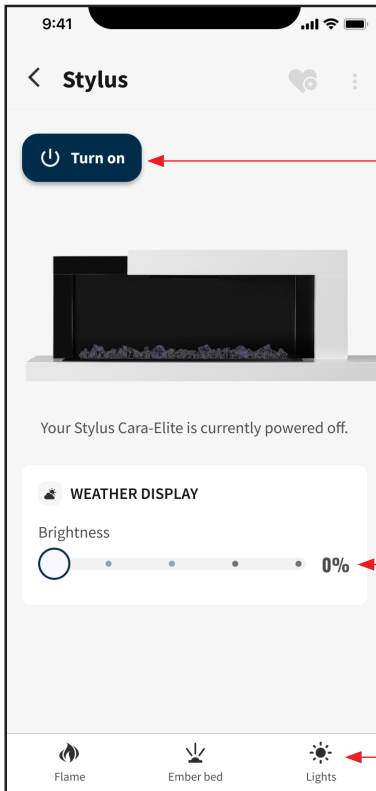


Fig. 9



## 6.2 comment utiliser l'application

### 6.2.1 réglages d'alimentation



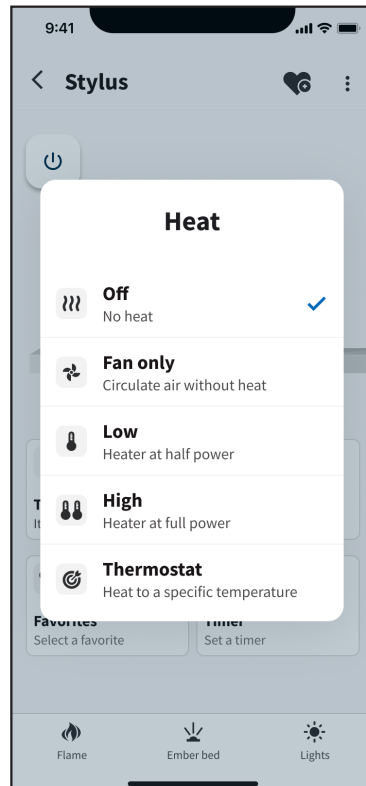
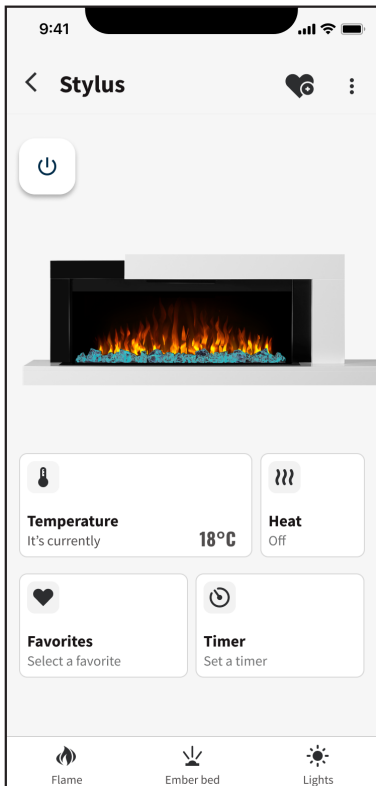
#### Réglage d'Alimentation:

Appuyez pour allumer et éteindre l'appareil.

Les réglages de luminosité de l'affichage météo sont accessibles sur cette page d'accueil uniquement lorsque l'appareil est éteint.

Lorsque l'appareil est allumé, accédez à l'onglet inférieur "Lumières" pour modifier les paramètres d'affichage de la météo.

### 6.2.2 réglage de la chaleur



#### Réglage de la Chaleur:

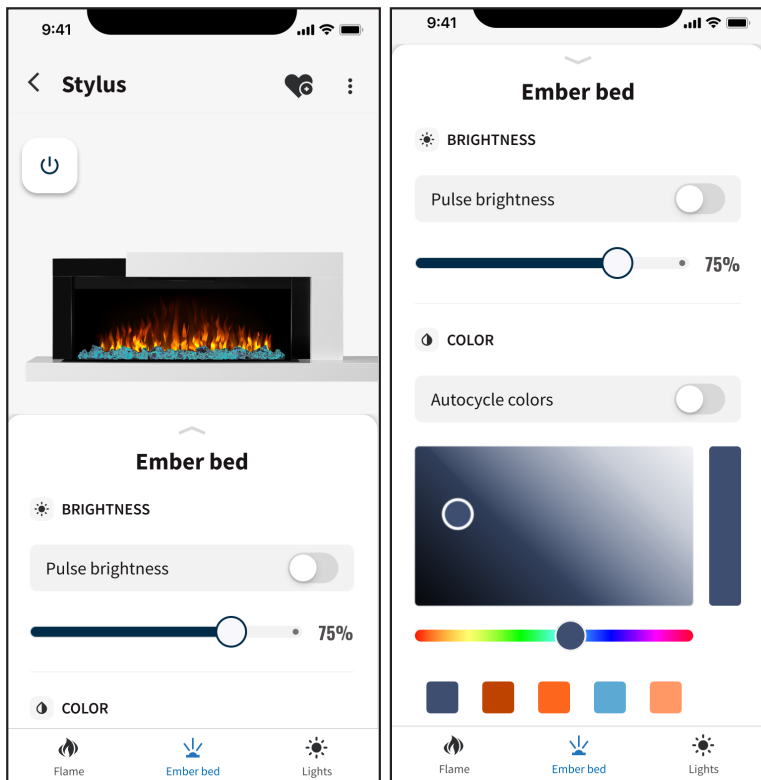
Le réglage de la chaleur peut être sélectionné via l'onglet chaleur sur la page d'accueil de l'appareil. La température ambiante actuelle est affichée sur l'onglet de température et mise à jour pour refléter la température cible lorsque le mode thermostat est sélectionné.

<b>Éteint</b>	Pas de chaleur
<b>Ventilateur Seulement</b>	Allume uniquement le ventilateur pour faire circuler l'air sans chaleur
<b>Faible (« Low »)</b>	Sélectionne la puissance de chauffage faible (750 W)
<b>Fort (« High »)</b>	Sélectionne la puissance de chauffage élevée (1500 W)
<b>Thermostat</b>	Allume et éteint automatiquement le chauffage pour réguler la température ambiante à la température de consigne souhaitée

# Connectivité Napoléon

FR

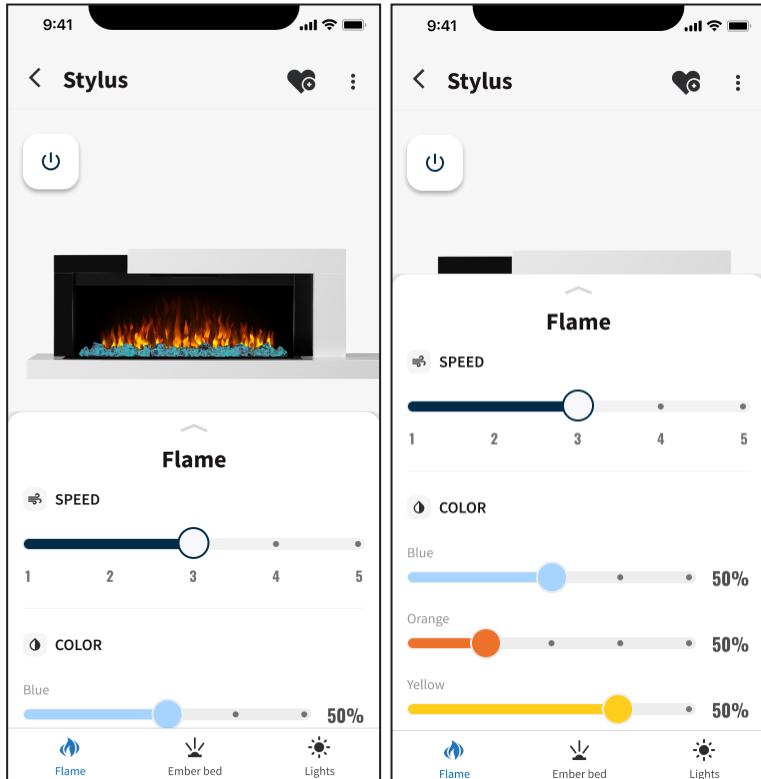
## 6.2.3 réglage du lit de braises



### Réglages du Lit de Braises

Sélectionnez les couleurs et les paramètres de luminosité du lit de braises préférés dans la liste de l'onglet lit de braises ou activez la fonction de cycle automatique ou de luminosité par impulsion pour faire défiler toutes les couleurs disponibles.

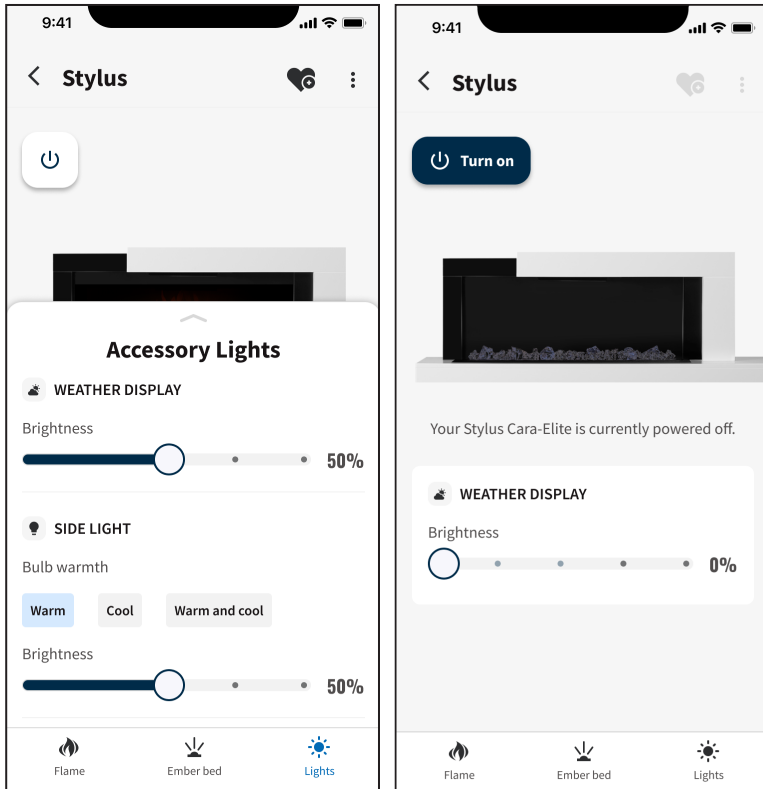
## 6.2.4 réglage de la flamme



### Réglage de la Flamme:

Contrôlez l'affichage des différentes couleurs de flamme en ajustant le curseur pour chaque couleur de flamme. La vitesse de la flamme peut également être réglée sur cette page.

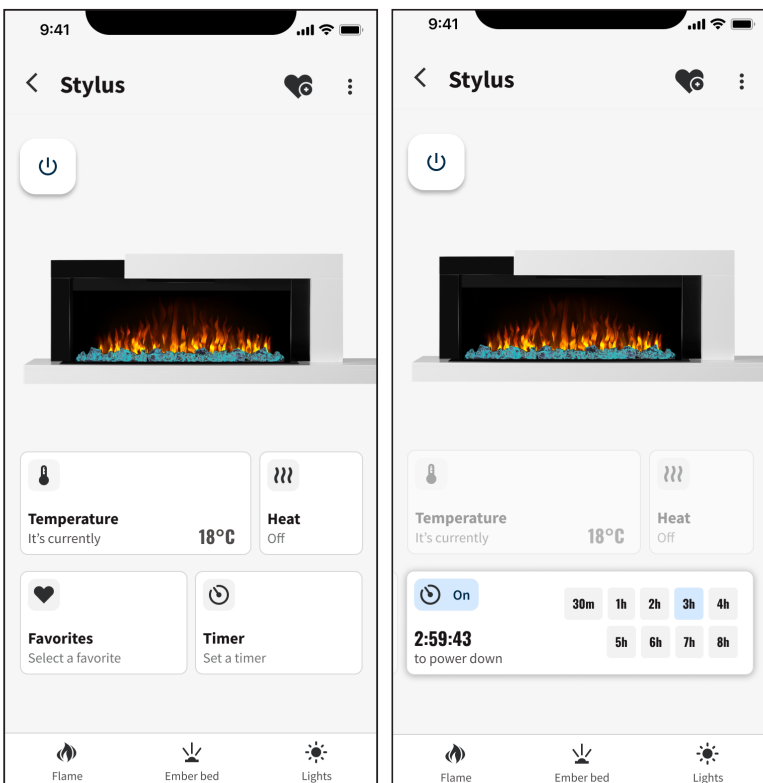
## 6.2.6 réglage de la lumière accessoire



### Réglage de la Lumière Accessoire:

La luminosité de l'affichage météo peut être contrôlée dans l'application soit sur la page d'accueil lorsque l'appareil est éteint, soit sur l'onglet inférieur des lumières. La lumière latérale est également contrôlée à partir de l'onglet Lumières. La sélection de chaleur et la luminosité de l'ampoule peuvent être modifiées dans cette section.

## 6.2.5 réglage de la minuterie



### Réglage de la Minuterie:

La fonction de minuterie est accessible sur la page principale. Sélectionnez dans la liste des heures prédéfinies pour définir une minuterie qui éteindra l'appareil une fois le compte à rebours terminé.

# Connectivité Napoléon

FR

## 6.3 informations d'affichage météo

1. L'affichage météo deviendra actif une fois le wifi configuré. Il est situé dans le coin supérieur gauche de la vitre frontale de l'appareil (**Fig. 10**).

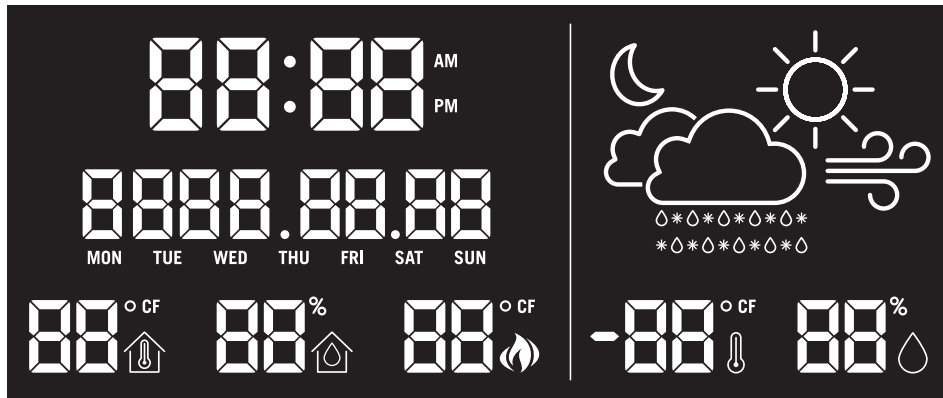


Fig. 10

2. La luminosité de l'affichage peut être modifiée dans l'application sur la page POWER en faisant glisser la barre de luminosité de l'affichage météo. L'affichage a 5 réglages : 0-5 (0 est OFF, 5 est max) (**Fig. 11**).

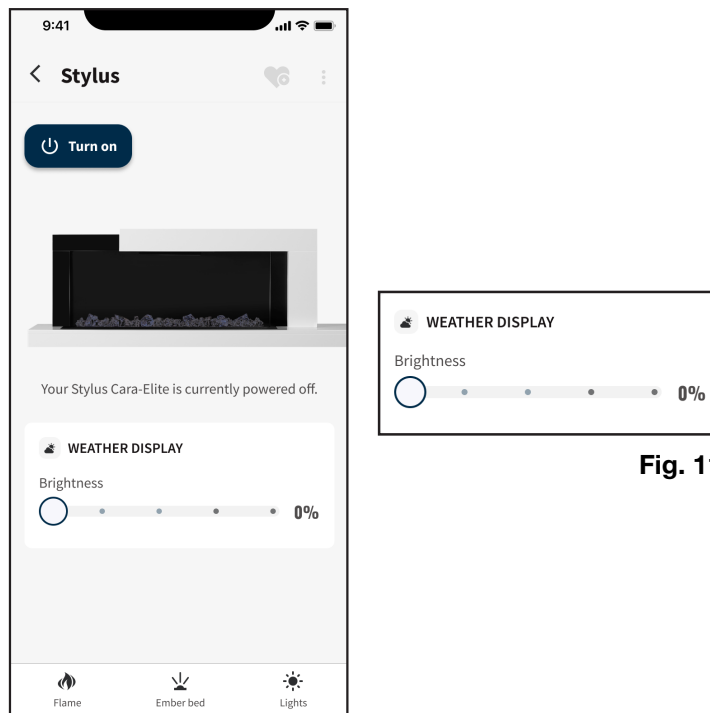


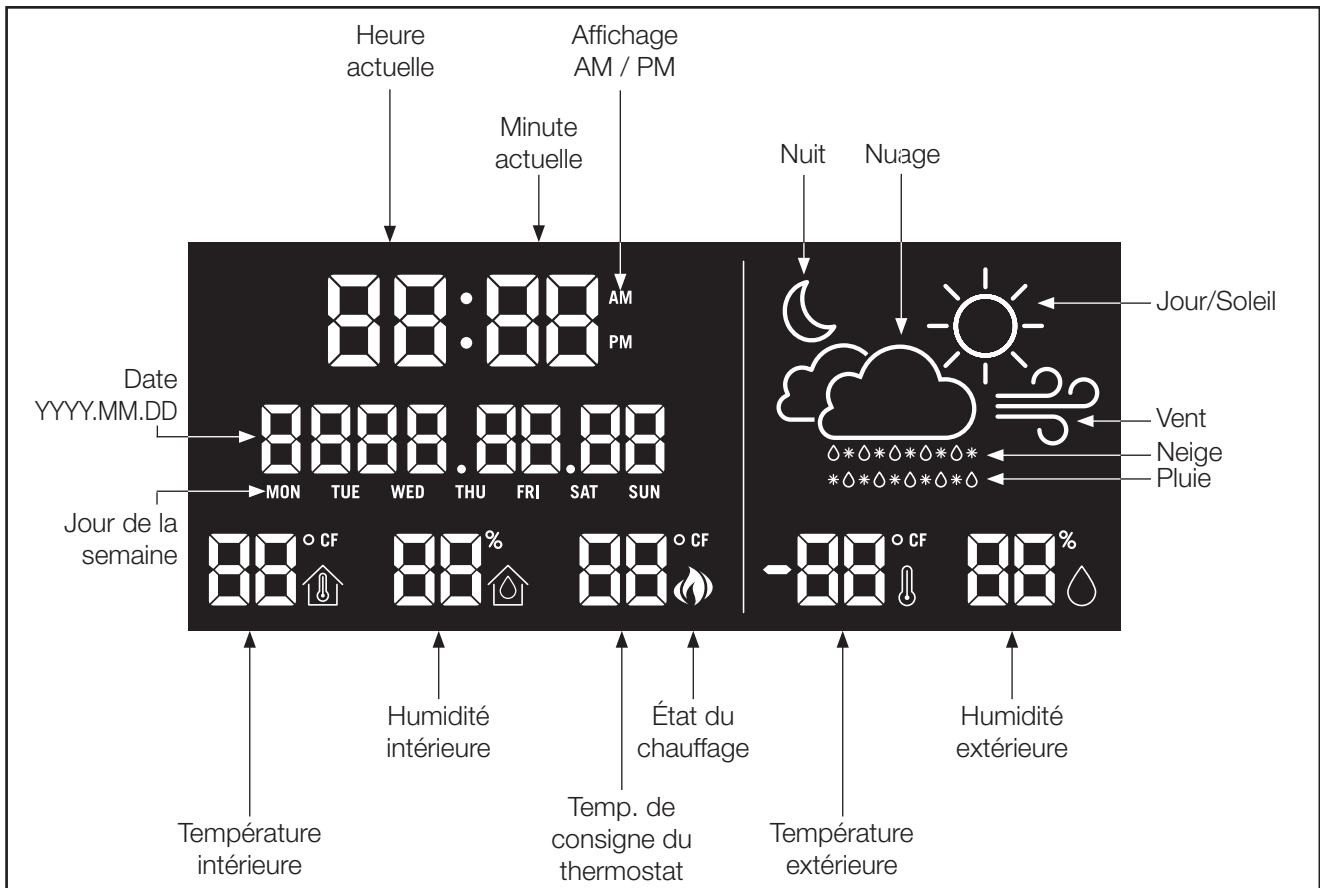
Fig. 11

3. Les informations pour l'affichage seront extraites d'Internet en fonction des paramètres de localisation du fournisseur d'accès Internet. Les informations météorologiques sont extraites des stations météorologiques locales, et la température et l'humidité intérieures sont extraites des capteurs à l'intérieur de l'appareil. (**Fig. 12**).



Fig. 12

## 6.4 disposition de l'affichage météo



## 6.5 information important de Connectivité Napoléon

1. La Connectivité Napoléon nécessite une connexion Wi-Fi 2,4 GHz.
2. Le bouton lumineux de décoration sur le panneau de commande est également un voyant lumineux utilisé pour indiquer quand la communication Wi-Fi du foyer est activée. Si le bouton n'est pas allumé, la connexion Wi-Fi a été déconnectée ou désactivée et doit être reconnectée.
3. Le foyer intègre une fonction de sécurité supplémentaire qui désactivera la communication Wi-Fi avec le foyer si le foyer détecte que la température ambiante de la pièce est de 30°C ou plus. Ceci permet d'éviter tout risque possible de surchauffe du foyer et/ou d'autres appareils dans la pièce. Pour réactiver les communications Wi-Fi, attendez que la température ambiante soit descendue en dessous de 30°C, débranchez le foyer pendant 5 secondes, puis rebranchez-le. La connexion Wi-Fi se reconnectera en quelques secondes.

## 7.0 pièces de rechange

FR

### **AVERTISSEMENT**

- Omettre de positionner les pièces conformément à ce manuel ou d'utiliser uniquement des pièces spécifiquement approuvées pour cet appareil peut causer des dommages matériels ou des blessures corporelles.

Contactez votre détaillant pour les questions concernant les prix et la disponibilité des pièces de remplacement. Normalement, toutes les pièces peuvent être commandées chez votre détaillant autorisé.

**Pour un remplacement de pièce sous garantie, une photocopie de la facture originale sera requise afin de pouvoir honorer la demande.**

Lorsque vous commandez des pièces, donnez toujours l'information suivante:

- Modèle et numéro de série de l'appareil
- Date d'installation de l'appareil
- Numéro de la pièce
- Description de la pièce
- Fini

**Pièces, numéro des pièces et s'il soit disponible peut changer sans préavis.**

**Parties identifiées comme garnie seront livrés dans 2 à 5 jours pour la plupart des destinations de livraison.**

**Pièces non identifiées que stockés seront livrés dans un délai de 2 à 4 semaines pour la plupart des cas.**

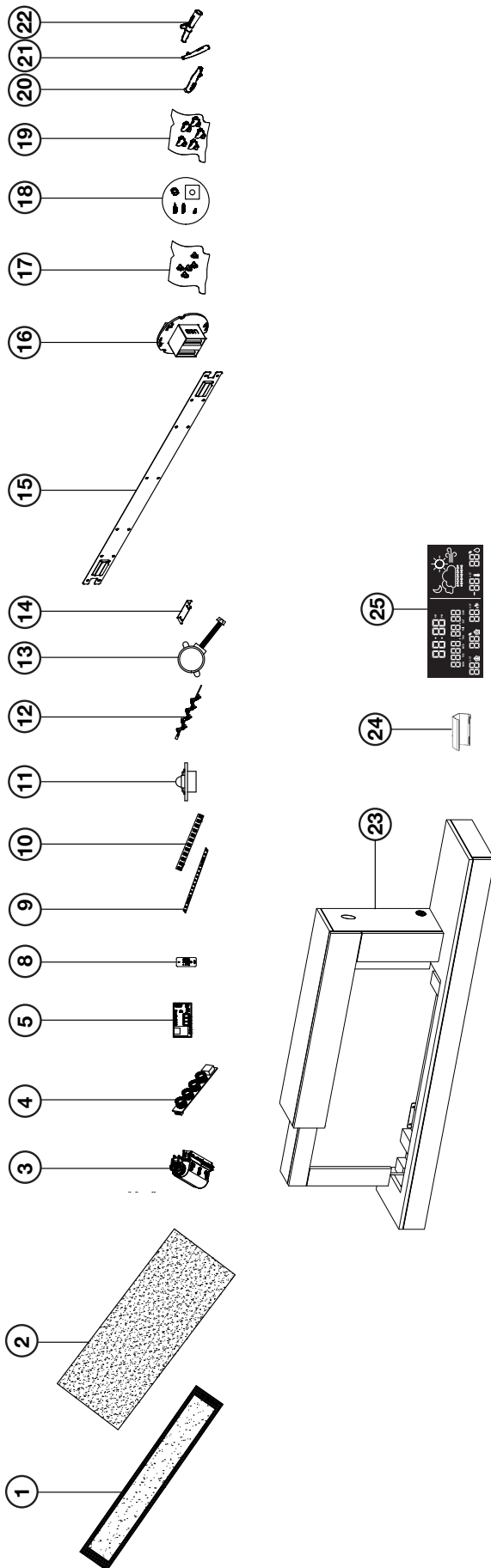
**Pièces identifiées comme « SO » sont commande spéciale et peuvent prendre jusqu'à 90 jours pour la livraison.**

Pour le service après-vente, veuillez appeler le 1-866-820-8686.

#### **note:**

Des précautions doivent être prises lors du retrait et de la mise au rebut de tout verre brisé ou de composants endommagés. Assurez-vous d'aspirer tout bris de verre à l'intérieur de l'appareil avant de l'utiliser.

7.1 vue d'ensemble



Ces articles peuvent différer de ceux illustrés.

Réf.	No. de Pièce	Description	En Stock	Réf.	No. de Pièce	Description	En Stock
1	W300-0291-SER	Base en verre gelé, noir		15	W080-1917-SER	Support, paroi arrière	
2	W300-0350	Verre de projection		16	W190-0238	Port USB à charge rapide	
3	W010-4397-SER	Assemblage de chauffage et ventilateur	Oui	17	W497-0054-SER	Cristaux, moyens	
4	W190-0143-SER	Panneau de commande tactile		18	W370-0150-SER	Ensemble de quincaillerie	
5	W190-0204	Contrôle de PCB principale		19	W497-0055-SER	Cristaux, grands	
6 *	W190-0205	Contrôle d'alimentation PCB		20	W135-0768-SER	Bûche A (x2)	Oui
7 *	W690-0021	Thermostat	Oui	21	W135-0770-SER	Bûche B (x2)	Oui
8	W190-0136-SER	Télécommande	Oui	22	W135-0769-SER	Bûche C (x1)	Oui
9	W405-0069-SER	Lumière de braises DEL		23	NEFP32-5019W	Façade en bois (NEFP32-5019W)	
10	W405-0068-SER	Lumière de flamme DEL		24	W200-0572-SER	Couvercle de cordon	Oui
11	W405-0075-SER	Lumière d'accentuation latérale DEL		25	W190-0207	Affichage de météo	
12	W527-0032-SER	Réflecteur		26 *	W190-0236	Carte d'alimentation à charge rapide	
13	W435-0090-SER	Moteur pas à pas		27 *	W190-0237	Récepteur à distance	
14	W080-1916-SER	Support, paroi arrière inférieure		28 *	W010-5112	Module WiFi IOT	

\* Pièces non illustrés.

## 8.0 guide de dépannage

FR

### AVERTISSEMENT

- Coupez l'alimentation électrique à l'appareil et laissez-le refroidir avant d'effectuer un entretien. Seulement un technicien de service qualifié peut effectuer l'entretien ou la réparation de cet appareil électrique.

symptôme	problème	solution
L'appareil ne s'allume pas lorsque l'interrupteur est mis à « on ».	L'appareil n'est pas branché dans une prise de courant.	Vérifiez la prise, et branchez dans l'appareil si nécessaire.
	Branchement par câble sont incorrectes.	Voir la section « branchement par câble ».
	L'appareil a surchauffé et le dispositif de sécurité a entraîné le déclenchement de l'interrupteur thermique.	Débranchez l'appareil et le disjoncteur, laissez-le refroidir pendant 15 minutes, puis branchez l'appareil ou allumer le disjoncteur.
	Issue avec le panneau PCB principal.	Inspectez la carte de circuit imprimé et remplacez-le si nécessaire.
L'appareil s'éteint et ne se rallume pas.	Le disjoncteur de la maison s'est déclenché.	Réinitialisez le disjoncteur.
	Le fusible de l'appareil a éteint.	Remplacez le fusible.
	L'appareil a surchauffé et le dispositif de sécurité a entraîné le déclenchement de l'interrupteur thermique.	Débranchez l'appareil et le disjoncteur, laissez-le refroidir pendant 15 minutes, puis branchez l'appareil ou allumer le disjoncteur.
L'appareil est revenue à les paramètres par défaut.	Panne de courant.	Reprogramme l'appareil au paramètres d'origine (pas applicable avec tous les appareils).
La télécommande ne fonctionne pas.	Les piles sont faibles.	Remplacez les piles de la télécommande.
	Dysfonctionnement du récepteur à distance.	Assurez-vous que le récepteur à distance n'est pas bloqué. Remplacez le panneau.
L'appareil n'émet aucune chaleur.	Réglage du chauffage n'est pas sélectionné.	Voir la section « fonctionnement ».
	Le chauffage a été verrouillé.	Voir la section « fonctionnement ».
	La température ambiante est plus élevé que le réglage de l'appareil (si réglée au température de la chambre).	Réinitialisez le réglage pour la température.
	L'appareil a surchauffé et le dispositif de sécurité a entraîné le déclenchement de l'interrupteur thermique.	Débranchez l'alimentation ou éteignez le disjoncteur. Laissez l'appareil refroidir pendant 15 minutes.
	Branchement par câble sont incorrectes.	Voir la section « branchement par câble ».
	Problème avec le chauffage.	Inspectez la soufflerie and le chauffage, et les remplacez si nécessaire.
La chauffage s'éteint automatiquement.	La salle est trop chaude.	L'appareil est équipé d'un thermostat intégré et s'éteindra automatiquement lorsque la température programmée sera atteinte. Il s'allumera automatiquement lorsque la température de la pièce descendra en dessous de la température programmée.



La luminosité du jeu de flammes est faible ou inexistante.	Éclat de flamme n'est pas sélectionné.	Voir la section « fonctionnement ».
	Problème avec les flamme DELs.	Vérifiez les DELs et remplacez-les si nécessaire.
	Problème avec le panneau PCB principal.	Vérifiez le panneau PCB principal et remplacez-le si nécessaire.
La flamme ne bouge pas.	Le moteur est calé / ne fonctionne pas	Cycle de marche / arrêt. Si le problème persiste, consultez votre détaillant.
Le lit de braises s'aillumine pas ou ne diminue pas en luminosité.	Luminosité n'est pas sélectionné.	Voir la section « fonctionnement ».
	Problème avec les DEL de braises.	Vérifiez les DEL de braises et remplacez-les si nécessaire.
	Problème avec le panneau PCB principal.	Vérifiez la panneau PCB principal et remplacez-le si nécessaire.
DEL clignote « OH ».	L'appareil a surchauffé et le dispositif de sécurité a entraîné le déclenchement de l'interrupteur thermique.	Lorsque le thermostat est surchauffé, le buzzer émet un son d'avertissement BI une fois, le tube nixie clignote "OH", toutes les fonctions et tous les boutons sont invalides et tous les boutons sont éteints. Si le bouton est enfoncé, une alarme est émise. Débranchez l'appareil et le disjoncteur, laissez-le refroidir pendant 15 minutes, puis branchez l'appareil ou allumez le disjoncteur. Si le problème persiste, consultez votre détaillant.
	L'appareil a détecté une surtension/courte coupure de courant.	

## 9.0 garantie

FR

Les appareils électriques **Napoléon** sont fabriqués conformément aux normes strictes du Système de Gestion de la Qualité mondialement reconnu ISO 9001 : 2015.

Les produits **Napoléon** sont conçus avec des composants et des matériaux de qualité supérieure, assemblés par des artisans qualifiés qui sont fiers de leur travail. Une fois assemblé, chaque appareil est soigneusement inspecté par un technicien, une agence de service, ou un distributeur qualifié(e) ou autorisé(e) avant d'être emballé pour garantir que vous, le client, recevez le produit de qualité dont vous vous attendez de **Napoléon**.

### Garantie Prime Des Appareils Électriques Napoléon

Les composants électriques et les pièces soumises à l'usure sont couverts et **Napoléon** fournira gratuitement les pièces de rechange durant les première 2 années de la garantie prime. Ceci couvre: le ventilateur/l'appareil de chauffage, les moteurs, les interrupteurs, les roulements à billes en nylon, les télécommandes et les lumières de DEL.

Les ampoules et fusibles **NE SONT PAS** couvert par la garantie.

Dans la première année seulement, les coûts de main-d'oeuvre relatifs aux réparations garanties sont couverts.

\* La fabrication de chaque modèle varie. La garantie s'applique uniquement aux composants disponibles avec votre appareil spécifique.

### Conditions et Limitations

**Napoléon** garantit ses produits contre les défauts de fabrication à l'acheteur d'origine seulement. L'enregistrement de la garantie n'est pas nécessaire. Fournissez simplement une preuve d'achat ainsi que le modèle et le numéro de série afin d'effectuer une réclamation de garantie. L'achat doit avoir été fait par l'entremise d'un détaillant **Napoléon** autorisé et sous réserve des conditions et limitations suivantes:

La couverture de la garantie débute à partir de la date d'installation originale.

Cette garantie du fabricant n'est pas transférable et ne peut être prolongée par aucun de nos représentants.

L'installation doit être faite conformément aux instructions d'installation incluses avec le produit et à tous les codes d'incendie et de construction locaux et nationaux.

Cette garantie prime ne couvre pas les dommages causés par un mauvais usage, un manque d'entretien, un accident, des altérations, des abus, ou de la négligence, et l'installation de pièces d'autres fabricants annulera cette garantie.

Cette garantie prime ne couvre pas non plus les égratignures, les bossellements, la corrosion, ou la décoloration causée par une chaleur excessive, des produits d'entretien chimiques et abrasifs ou l'écaillage de pièces en porcelaine émaillée, le bris par manipulation des bûches PHAZER<sup>MD</sup>.

Au cours de les première 2 années seulement, cette garantie s'étend à la réparation ou au remplacement des pièces garanties dont les matériaux ou la fabrication sont défectueux à la condition que le produit ait été utilisé conformément aux instructions de fonctionnement et dans des conditions normales.

Après la première année, **Napoléon** ne sera pas responsable de l'installation, de la main d'œuvre, ou autres coûts ou dépenses relatives à la réinstallation d'une pièce garantie, et de telles dépenses ne sont pas couvertes par cette garantie.

Nonobstant toutes les dispositions contenues dans cette garantie limitée, la responsabilité de **Napoléon** sous cette garantie est définie comme ci-dessus, et elle ne s'étendra à aucun dommage accidentel, consécutif, ou indirect.

Cette garantie définit l'obligation et la responsabilité de **Napoléon** en ce qui concerne l'appareil électrique **Napoléon**.

Toute autre garantie énoncée ou implicite en ce qui concerne ce produit, ses composants ou accessoires est exclue.

**Napoléon** n'endosse, ni n'autorise aucun tiers à assumer en son nom, toutes autres responsabilités concernant la vente de ce produit.

Tous dommages causés à l'appareil, aux garnitures en laiton ou autres composants par l'eau, les dommages causés par les intempéries, de longues périodes d'humidité, la condensation, des produits chimiques, ou produits d'entretien nuisibles ne seront pas la responsabilité de **Napoléon**.

**Napoléon** se réserve le droit de demander à son représentant d'inspecter tout produit ou pièce avant d'honorer toute réclamation.

Toutes les pièces remplacées en vertu de la politique de la Garantie Prime ne peuvent faire l'objet que d'une seule réclamation.

Toutes les pièces remplacées au titre de la garantie seront couvertes pour une période de 90 jours à partir de leur date d'installation.

Le fabricant peut exiger que les pièces défectueuses ou les produits soient retournés ou que des photos numériques soient fournies pour valider la réclamation. Les produits retournés doivent être expédiés port payé au fabricant pour une inspection en usine. Si un produit est déclaré défectueux, le fabricant le réparera ou le remplacera.

Avant d'expédier votre appareil ou les pièces défectueuses, votre détaillant doit obtenir un numéro d'autorisation. Toute marchandise expédiée à notre usine sans autorisation sera refusée et retournée à l'expéditeur.

Les coûts d'expédition ne sont pas couverts par cette garantie.

Des frais de service supplémentaires peuvent être appliqués si vous cherchez à obtenir des services au titre de la garantie auprès d'un détaillant.

Toutes les spécifications et les conceptions sont sujettes à modifications sans préavis en raison des améliorations constantes apportées aux produits. **Napoléon** est une marque de commerce déposée de Wolf Steel Ltée.



# NAPOLÉON CÉLÈBRE PLUS DE 40 ANS D'EXISTENCE CONSACRÉS À LA CONCEPTION DE PRODUITS DE CONFORT



7200, Route Transcanadienne, Montréal, Québec H4T 1A3  
24 Napoleon Road, Barrie, Ontario, Canada L4M 0G8  
214 Bayview Drive, Barrie, Ontario, Canada L4N 4Y8  
103 Miller Drive, Crittenden, Kentucky, USA 41030  
De Riemsdijk 22, 4004 LC Tiel, Pays-Bas  
Téléphone: 1-866-820-8686  
napoleon.com