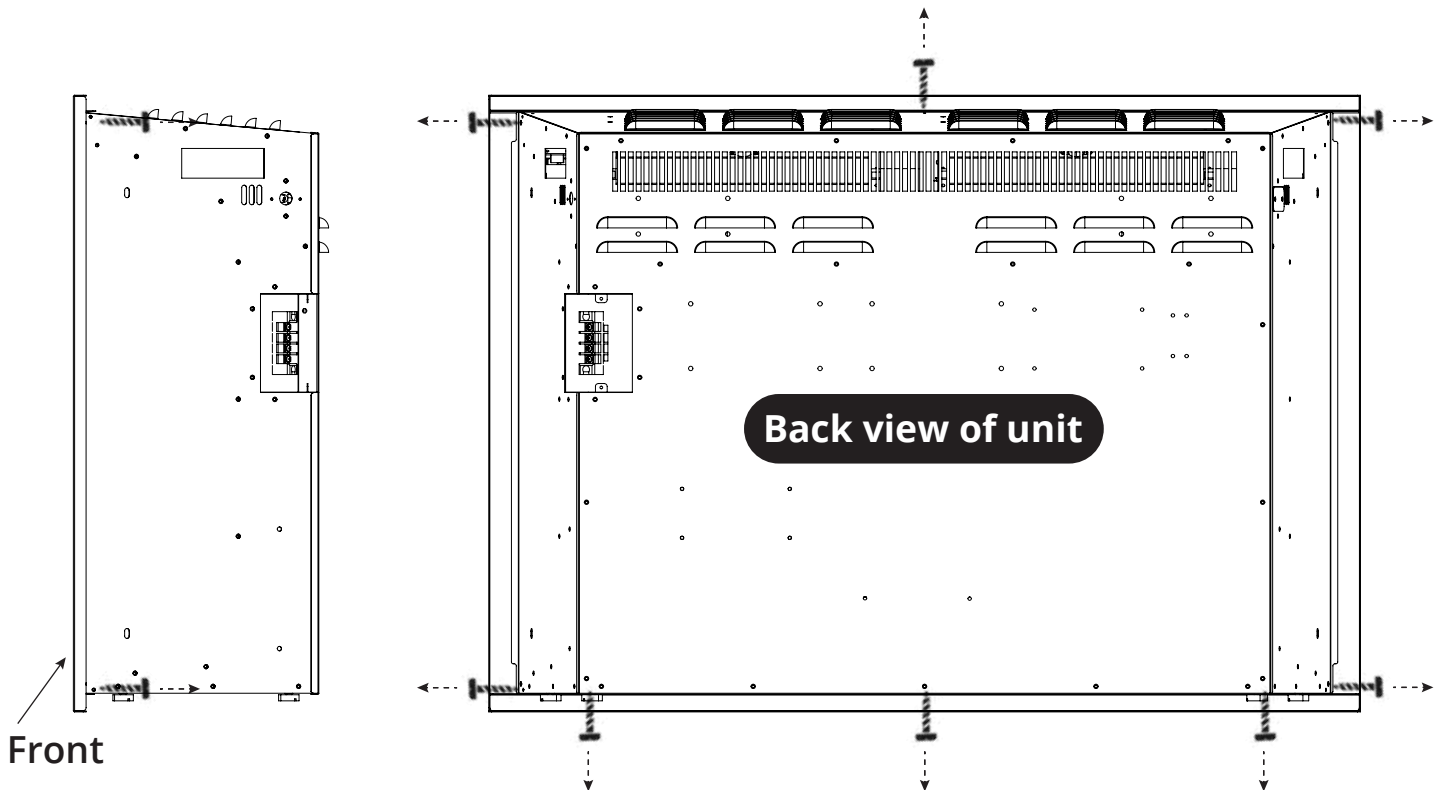


Orion® Traditional optional surround installation instructions

Remove the existing Orion® Traditional trim



1

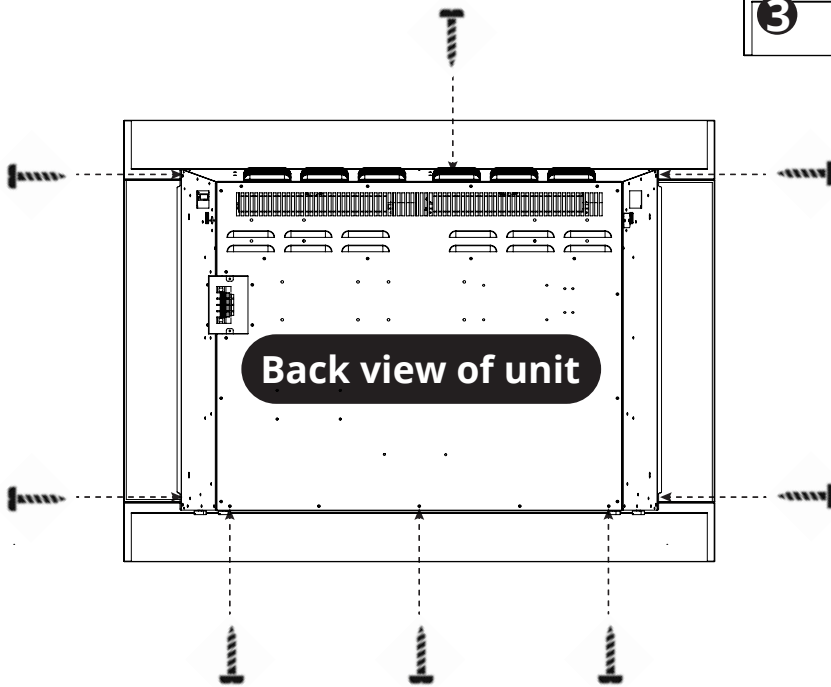
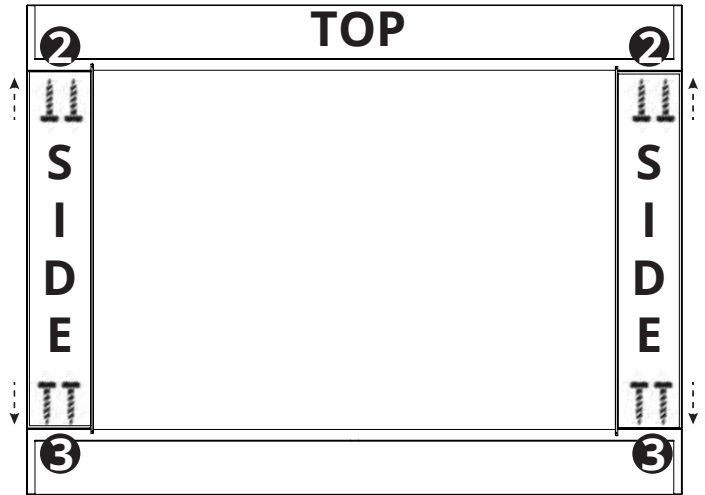
Step 1 - From the rear of the fireplace, remove 8 phillips head screws from perimeter. Use a P2 phillips head screwdriver. (Save screws for reuse)

For ease of trim removal and surround install, lay fireplace on its back surface.

## Install the new Orion® Traditional optional surround

**2** Step 2 - Put the surround kit face down on a soft towel or cloth. Install both side surround pieces to the top surround piece using supplied screw.

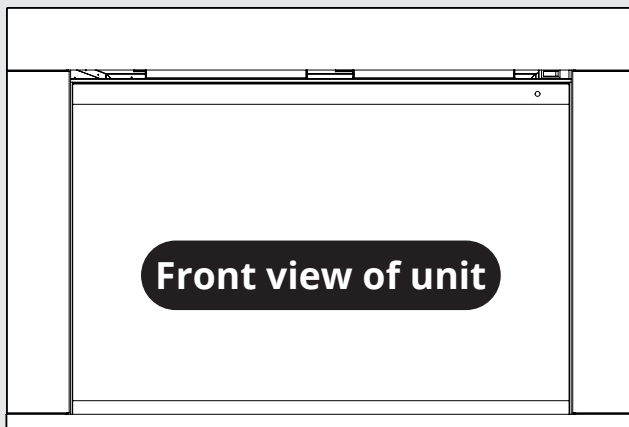
**3** Step 3 - Install bottom surround to the two side pieces using supplied screws.



**4** Step 4 - Install surround assembly to fireplace using screws from step 1 (8 screws total).

**NOTE:** Surround installs inside viewing area.

For ease of surround removal and install, lay fireplace on its back surface.



If thin surround on bottom is desired, attach as noted

