

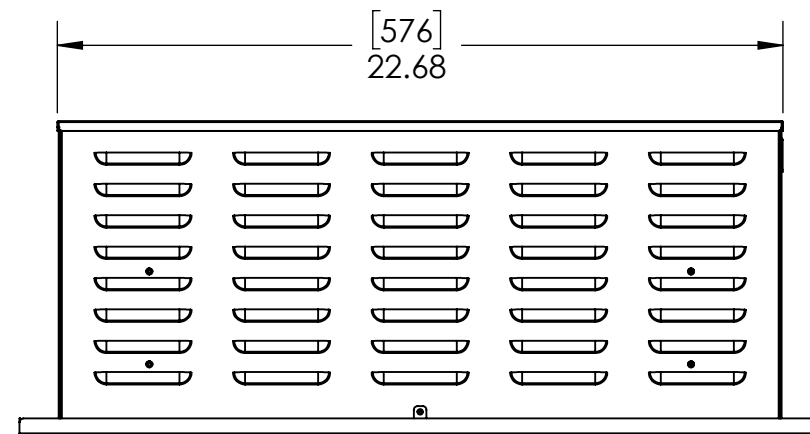
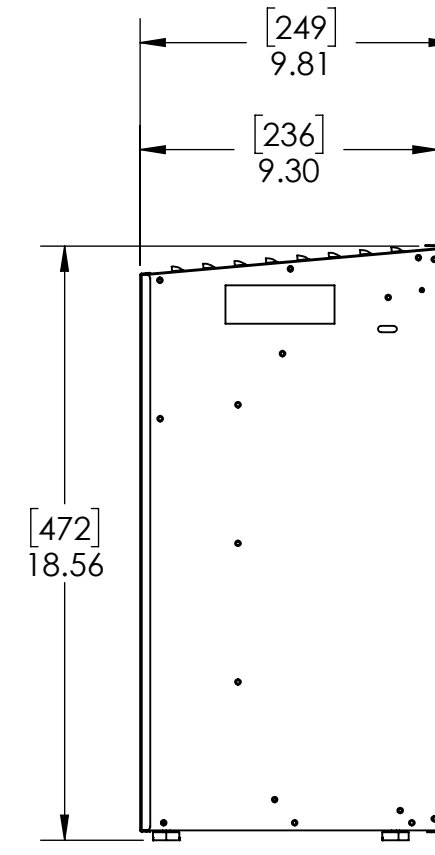
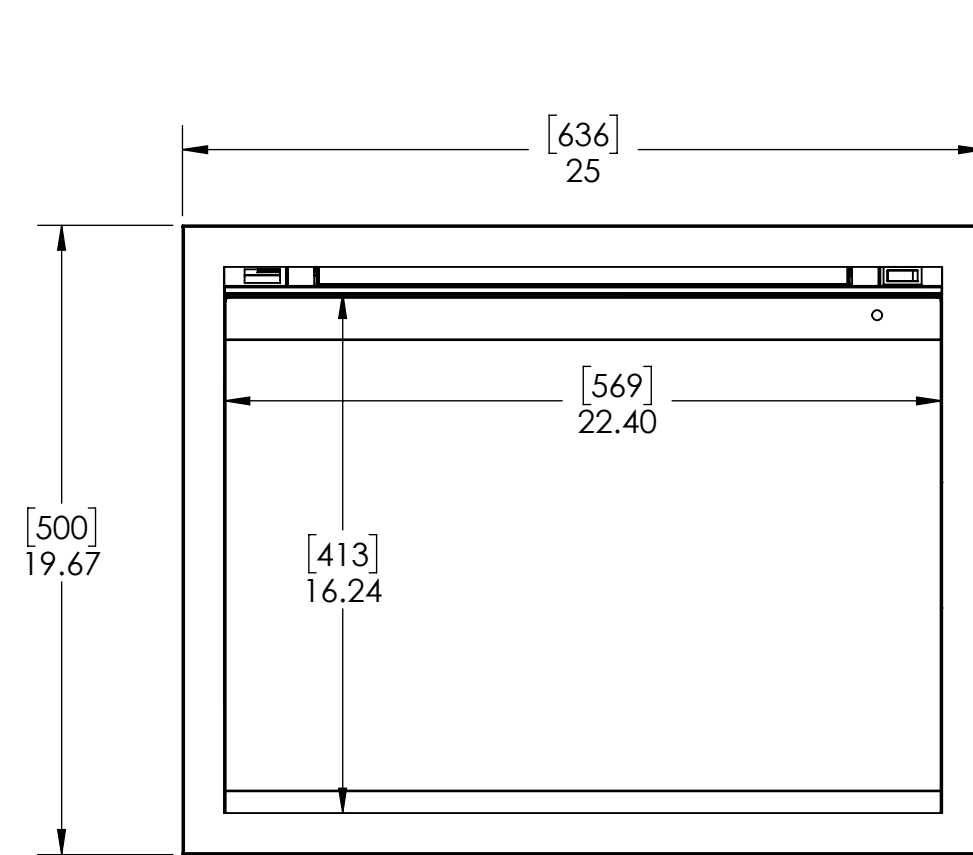
4

3

2

1

REVISIONS				
ZONE	REV.	DESCRIPTION	DATE	APPROVED



UNLESS OTHERWISE SPECIFIED:		NAME	DATE	RPG BRANDS	
DIMENSIONS ARE IN INCHES		DRAWN	D.FASZER		1/23/23
TOLERANCES:		CHECKED			
FRACTIONAL ±		ENG APPR.			
ANGULAR: MACH ±1° BEND ±1°		MFG APPR.			
TWO PLACE DECIMAL ±.010		Q.A.			
THREE PLACE DECIMAL ±.005		PROPRIETARY AND CONFIDENTIAL		TITLE: 26" ORION TRADITIONAL	
INTERPRET GEOMETRIC TOLERANCING PER:		THE INFORMATION CONTAINED IN THIS DRAWING IS THE SOLE PROPERTY OF RICHARDSON'S PRODUCT GROUP. ANY REPRODUCTION IN PART OR AS A WHOLE WITHOUT THE WRITTEN PERMISSION OF RICHARDSON'S PRODUCT GROUP IS PROHIBITED.			
MATERIAL		SIZE	DWG. NO.		REV
FINISH		B	OR26-TRAD		X01
DO NOT SCALE DRAWING		SCALE: 1:6	WEIGHT:	SHEET 1 OF 1	

4

3

2

1

B

B

A

A