

Installation Considerations

- Three-sided view, two-sided and one-sided front view for great design flexibility
- Does not require venting making it ideal in spaces where gas or wood is not possible
- Easy to connect and install with less installers required
- Flexibility between 120V and 240V options

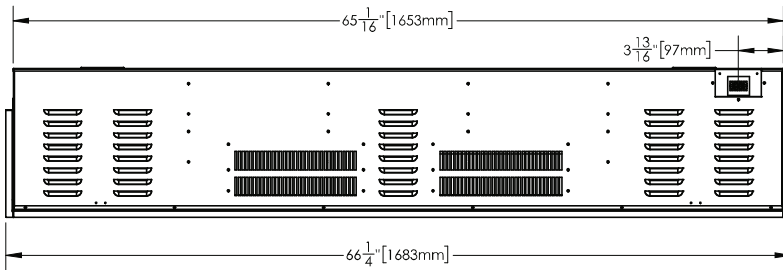
Specifications

Model	BTU	Width		Height		Depth		Glass
		Actual	Framing	Actual	Framing	Actual	Framing	
NEFL65LCD-3SV 3-sided install	10,000	65 1/16"	65 5/16"	25 1/4"	25 1/2"	12"	12 5/16"	66" W X 16.8" H X 7.2" D

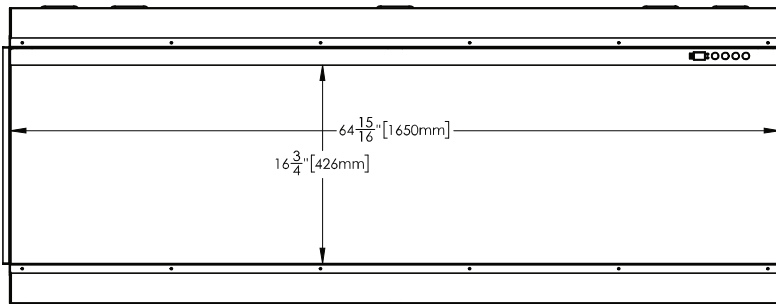
Certified under Canadian and American National Standards
 Figures may vary with individual conditions such as floor plan layout, insulation value/heat loss of the house and geographical location.

NEFL65LCD-3SV

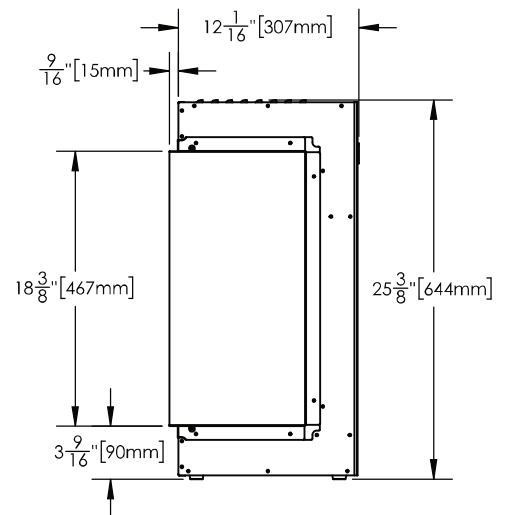
TOP VIEW



FRONT VIEW



SIDE VIEW



Authorized Dealer

24 Napoleon Road, Barrie, Ontario, Canada L4M 0G8
 103 Miller Drive, Crittenden, Kentucky, USA 41030
 7200 Trans Canada Highway, Montreal, Quebec, Canada H4T 1A3

Tel: 1-866-820-8686
 napoleon.com



Consult your owner's manual for complete installation instructions and proper clearances to combustible materials. Check all local and national building codes and gas regulations. All specifications are subject to change without prior notice due to on-going product improvements. Products may not be exactly as shown. Napoleon is a registered trademark of Wolf Steel Group Inc.

Printed in Canada
 07/2023