



Traditional Fire Tables

Assembly & Installation

Thank You!

Thank you for purchasing a Stoll Fire Table! We are confident this quality product will last you for years to come. If you need further help or additional information regarding installation, please reach out to your local dealer for assistance.

Included Parts & Tools

The following parts and tools are included with your Fire Table.

Side Panels: 2

End Panels: 2

Corner Posts: 4

Countertop: 1

Tank Slide-out Tray: 1

Slide-out Support Bar: 1

Countertop Support Bar: 2

Corner Bracket: 4

Self Tapping Metal Screws: 50

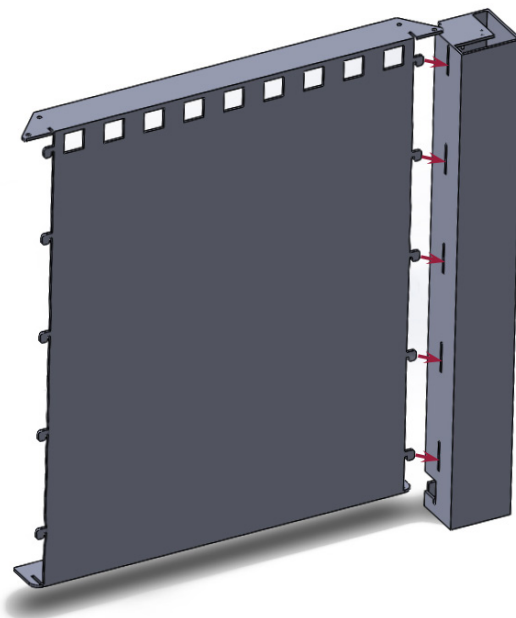
Leveling Legs: 4

Fire Table Assembly

Shell Construction

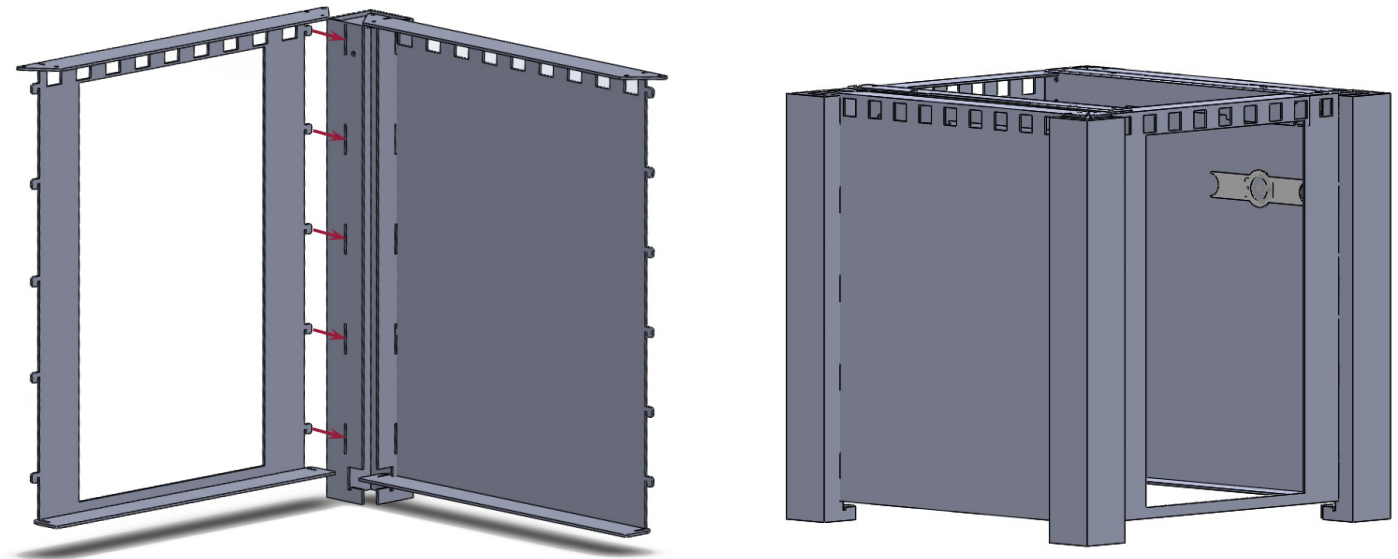
The primary fastening mechanism is a slot and cleat system that is laser cut in the corner posts and side panels. The vertical posts will have slots cut in them that correspond with cleats that are cut in the panels.

Connect your fire table sections by sliding the cleat system of each panel into the corresponding slots of each corner post. Using a rubber mallet, ensure cleats are fully seated.

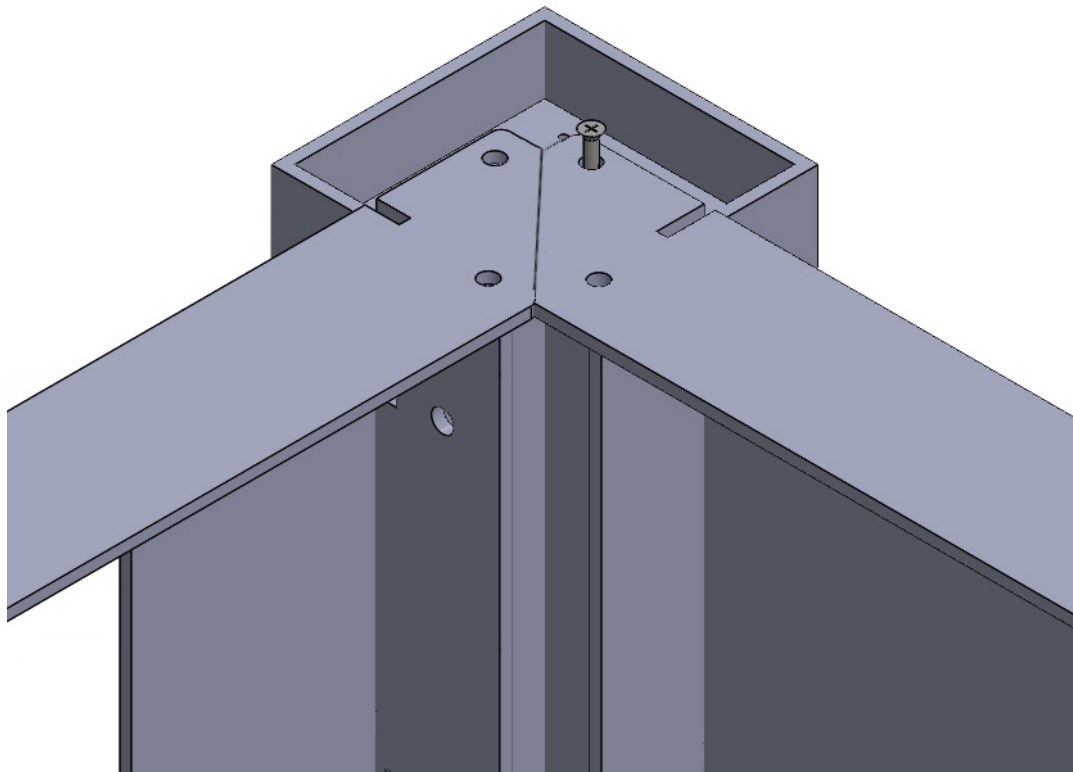


Shell Construction Continued

Repeat this process until all of the Corner Posts and Panels are connected.

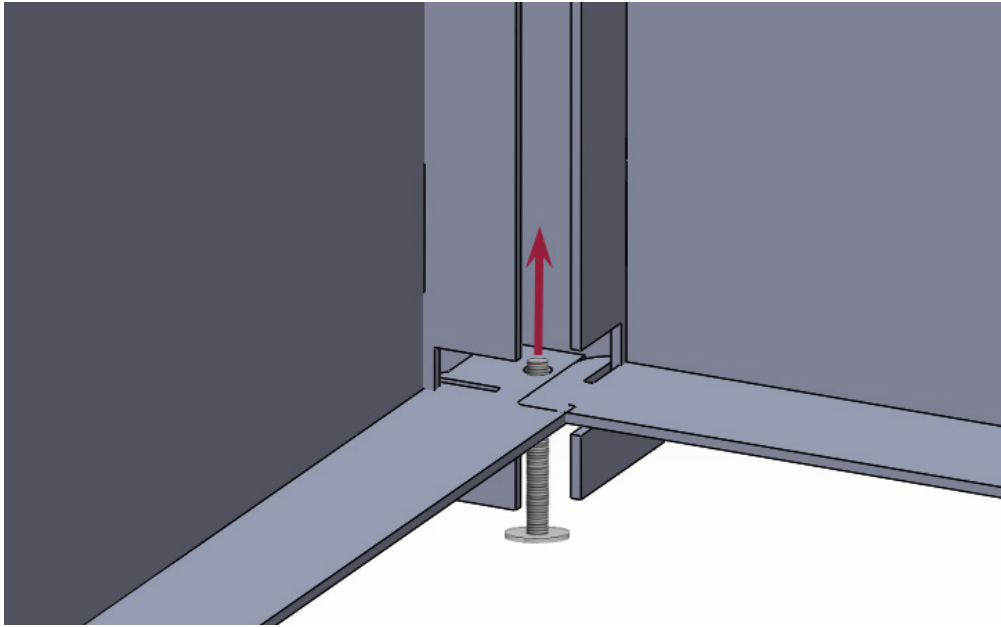


Using the provided screws, fasten each post and panel together in the corners of each section. (Hole locations have been pre-drilled in each component to ensure proper alignment.)



Leveling System

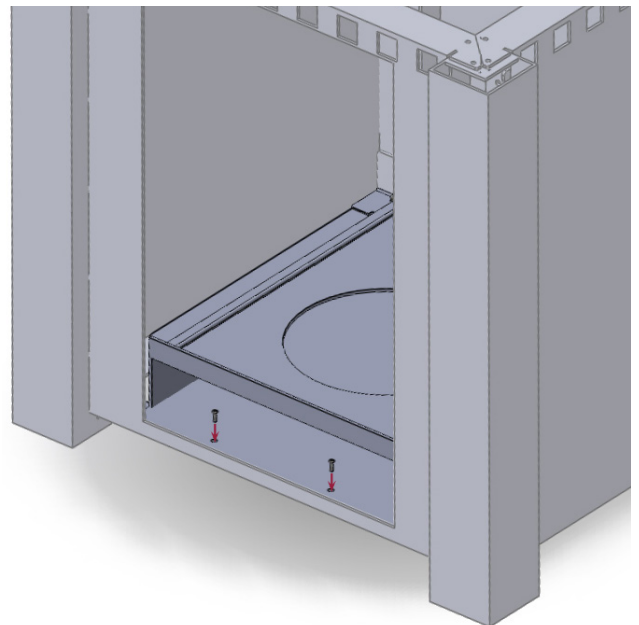
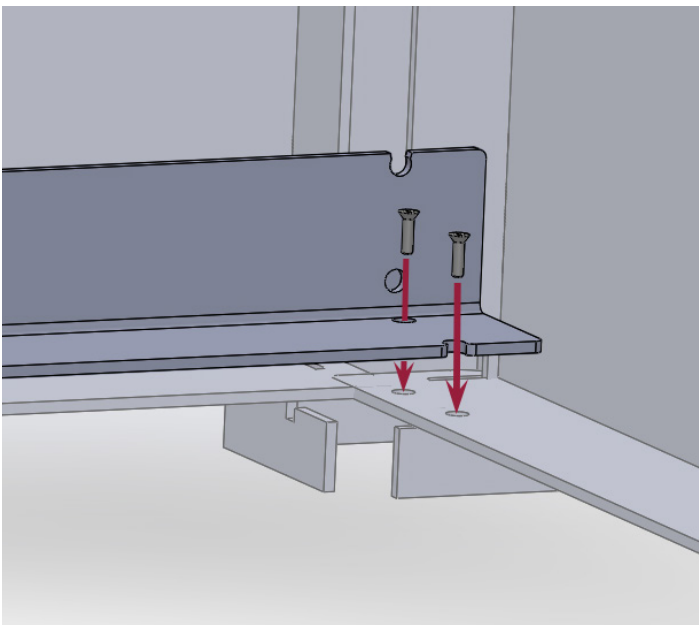
Each unit will come with adjustable leveling legs. If desired, install the leveling legs through the threaded holes from the underside, and adjust as needed to achieve level. *Using the leveling feet will be at the discretion of the installer, Stoll Industries does not require that the feet be used to elevate the product.*



Tank Slide-out Tray Installation

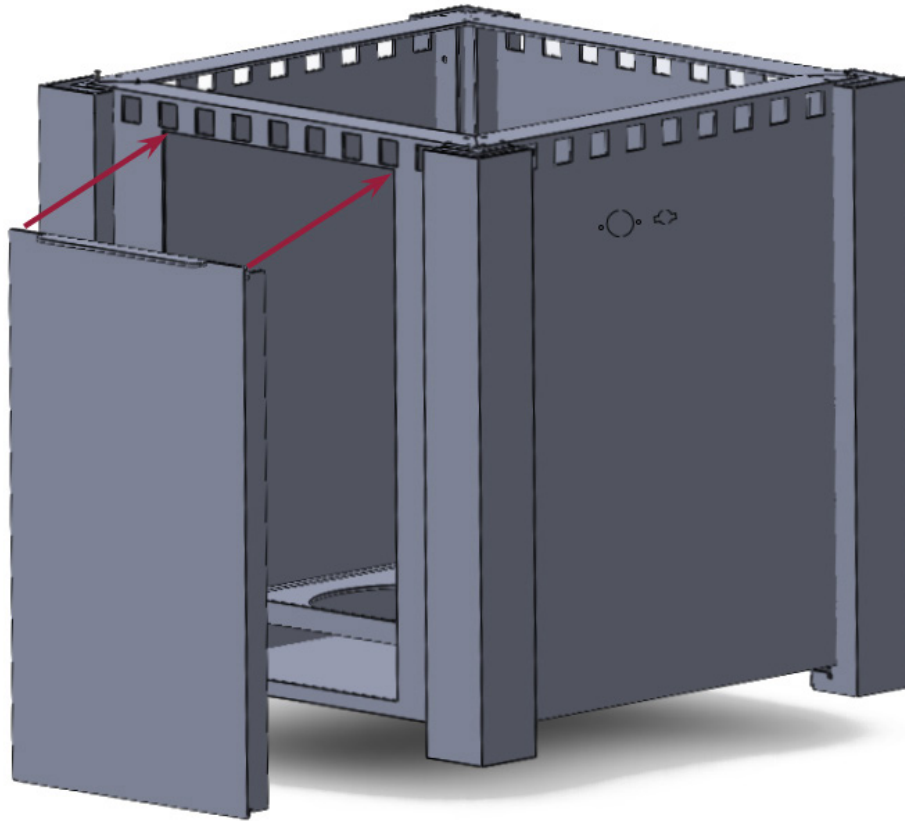
Using 4 of the provided screws, fasten the support bar to the pre-drilled holes on the bottom flange of each side panel. *(The back of the Slide-out Tray will rest on this support bar)*

Insert the Tank Slide-out Tray through the top of the Fire Table. Using 4 of the provided screws, fasten the Tank Slide-out Tray to the pre-drilled holes on the bottom lip of the end panel, and the support bar.



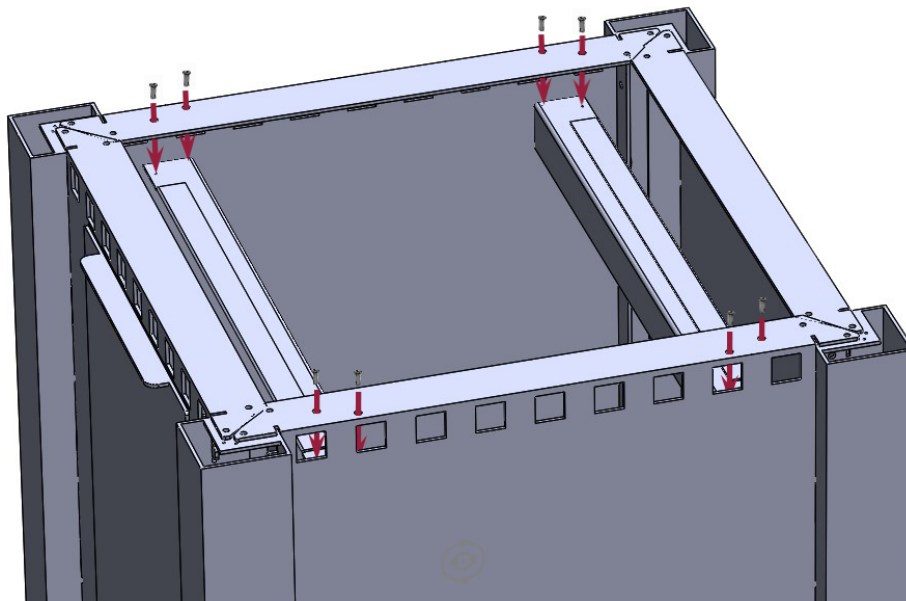
Access Door

Install the access door by first sliding the top slots on the Access Door onto the top lip of the panel opening, and then lowering the bottom of the door into place.



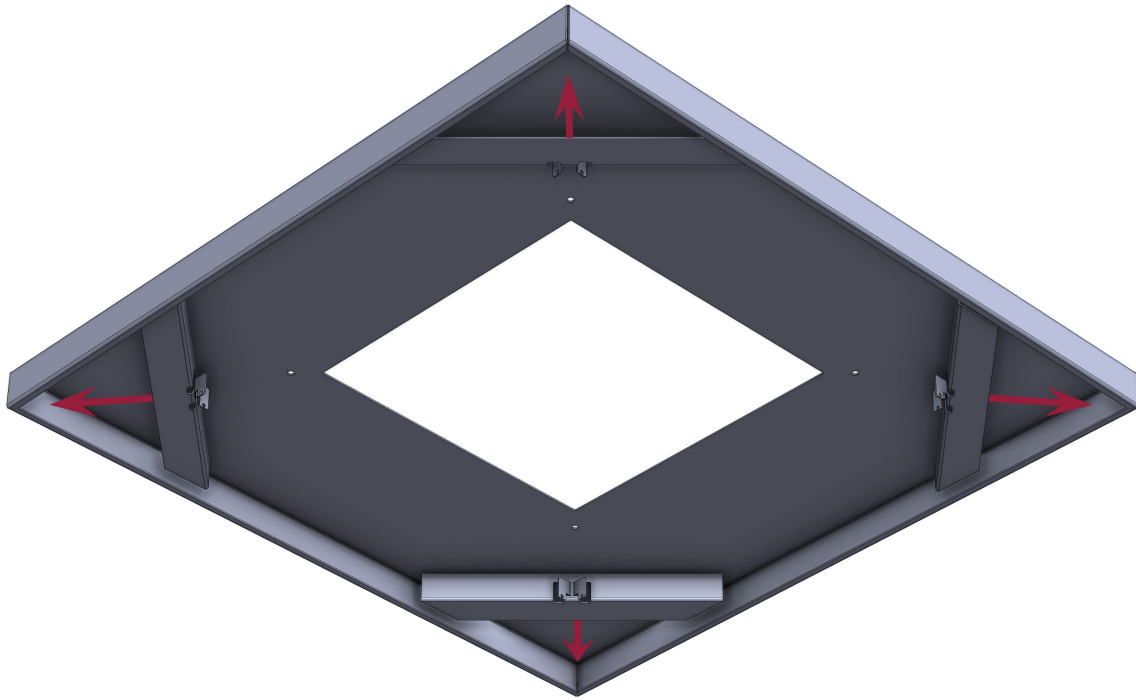
Countertop Installation

Using the provided screws, install both of the countertop support bars. Mount the support bars from the bottom side, aligning the pre-drilled holes of each support bar with the pre-drilled holes on the top flange of each end panel.

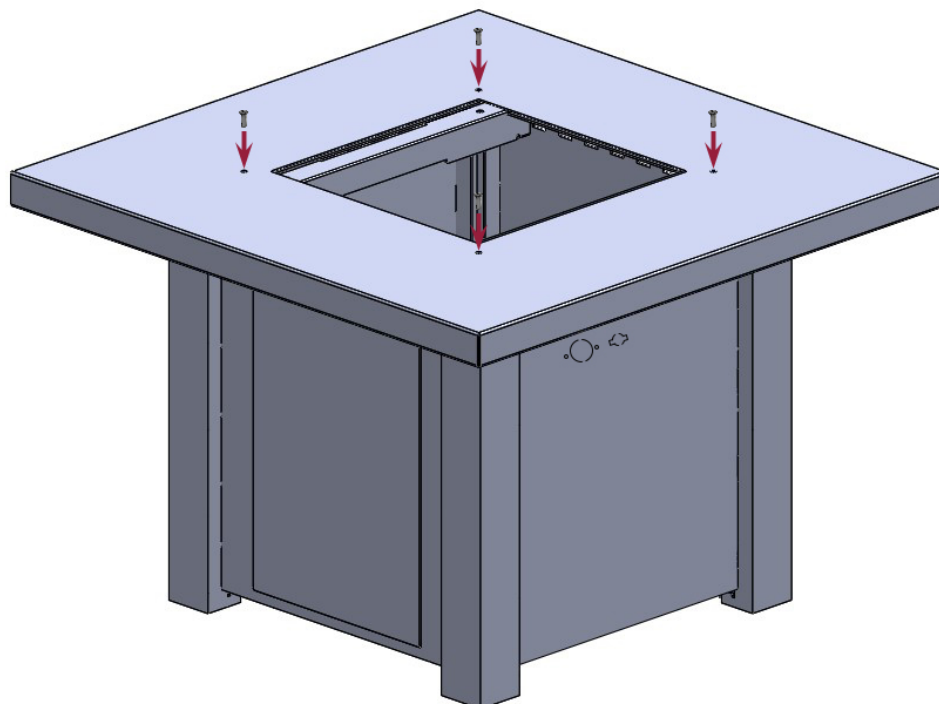


Countertop Installation Continued

Insert a Corner Bracket into each corner of the countertop. These will be fastened to the base at a later point.

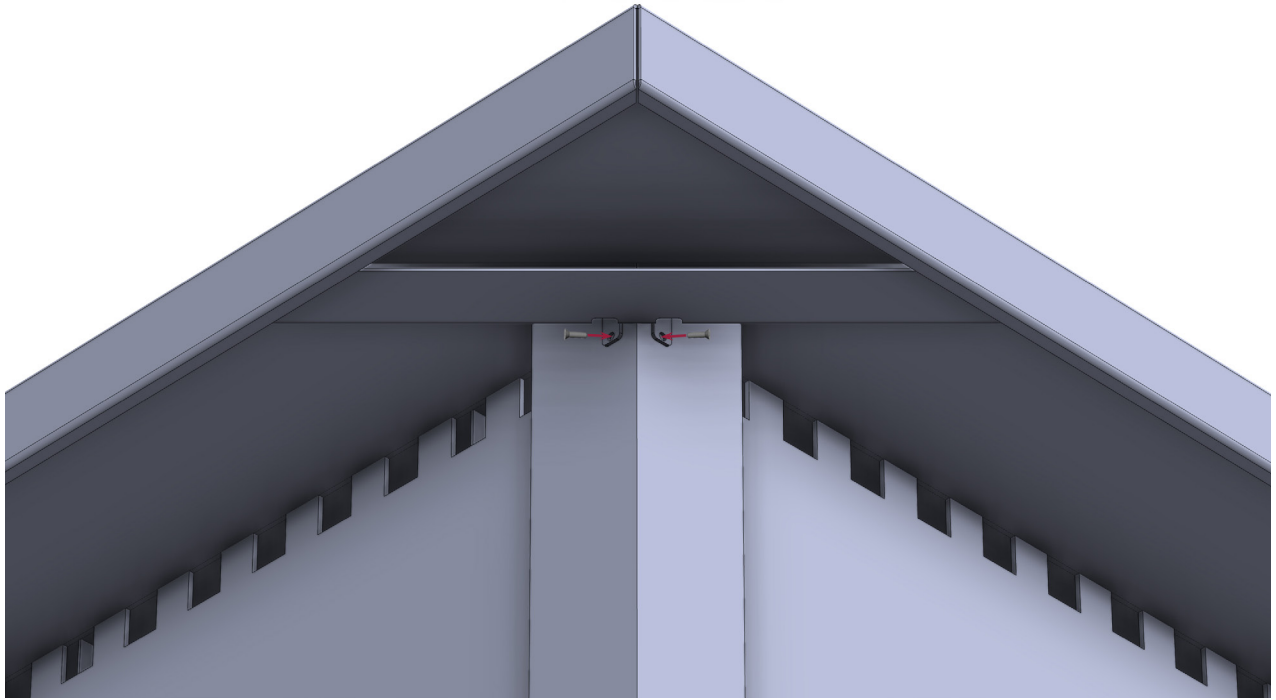


Lower the countertop into place, and center it on the top of the Fire Table. Using the provided screws, attach the countertop to the support bars. Align the pre-drilled holes in the countertop with the corresponding holes in the support bars.



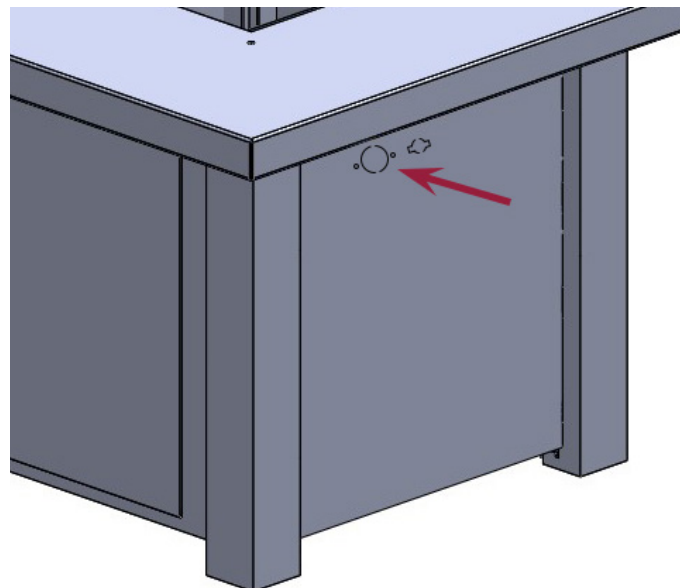
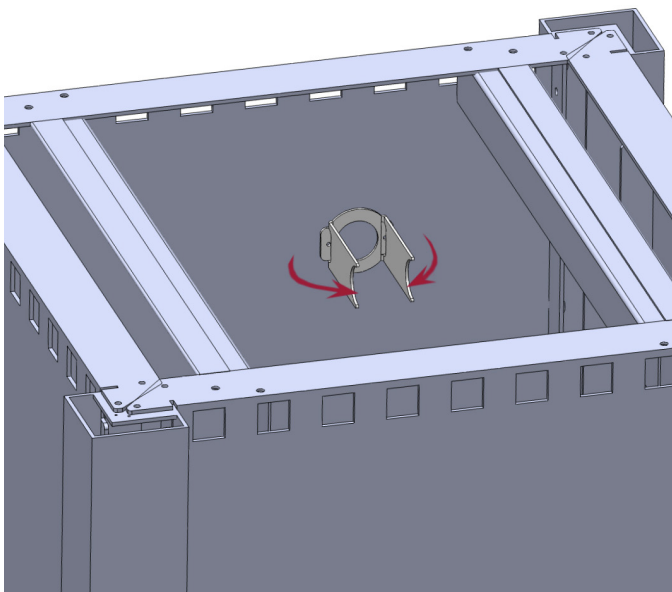
Countertop Installation Continued

Using the provided screws, secure the Corner Brackets in place by fastening them to the corner post.



Burner & Gas Valve Installation

Your countertop will be pre-cut to the specifications provided for your specific burner. Following the instructions provided by the burner manufacturer, install your burner into the countertop. Each Fire Table comes with a knock-out for a standard gas valve coupling, and a knock-out for an electric ignition switch (*if applicable*). Locate and remove the gas valve knock-out. If your burner has an electric ignition system, remove the ignition knock-out as well. Fold out the valve post wings as shown, and install the gas shutoff valve.



Operation & Maintenance

- Excessive heat can cause damage to the finish. If the appropriate windshield is not used, damage caused by overheating is considered abuse and is not covered under warranty.
- Your Fire Table can be cleaned using a damp cloth and soap or mild household cleaner, or rubbing alcohol for tougher stains. *To avoid damage to the finish, abrasive cleaning products and cleaners containing ammonia or other harsh chemicals should be avoided. For 3rd party burners and components, please follow the manufacturers instructions for cleaning and maintenance.*
- It is recommended to wax your Fire Table at least once a year to help protect the finish against wear and fading. Any common car wax can be used.

Warranty

Your Stoll Products are covered by a 3 year limited warranty. For more information, please visit www.stollindustries.com/resources. All warranty claims must be placed through your local dealer.

If you purchased a burner through Stoll Industries, it is warrantied by Firegear Outdoors. Stainless steel burners and pans are covered by a lifetime warranty, and additional components such as gas valves are covered by a 5 year warranty. Please contact Firegear Outdoors for any issues or warranty claims related to these products, and not Stoll Industries.

Firegear Outdoors: 800-966-8126 ~ info@firegearoutdoors.com

Photos of Completed Products

We would love to see pictures of your finished and installed project! Please send images to photos@stollindustries.com. High quality images will likely be featured on our social media or website!



WARNING

This product can expose you to chemicals including Carbon Black, which is known to the state of California to cause Cancer. For more information go to www.P65Warnings.ca.gov